

AUDIO HANDBOOK

—



AUDIO HANDBOOK

Technical Editor & Contributing Author:

Dennis Bohn
Consumer Application Engineer

Contributing Authors:

John Wright
Ron Page
Tim Regan
Thomas B. Mills
John Maxwell
Tim D. Isbell
Nello Sevastopoulos
Jim Sherwin



Section Edge Index

Introduction	1
Preamplifiers	2
AM, FM and FM Stereo	3
Power Amplifiers	4
Floobydust	5
Appendices	6
Index	7

Manufactured under one or more of the following U.S. patents: 3083262, 3189758, 3231797, 3303356, 3317671, 3323071, 3381071, 3408542, 3421025, 3426423, 3440498, 3518750, 3519897, 3557431, 3560765, 3566218, 3571630, 3575609, 3579059, 3593069, 3597640, 3607469, 3617859, 3631312, 3633052, 3638131, 3648071, 3651565, 3693248.

National does not assume any responsibility for use of any circuitry described; no circuit patent licenses are implied; and National reserves the right, at any time without notice, to change said circuitry.



Table of Contents

(continued)

5.0 Floobydust*

5.1	Biamplication	5-1
5.2	Active Crossover Networks	5-1
5.3	Reverb	5-7
5.4	Phase Shifter	5-10
5.5	Fuzz	5-11
5.6	Tremolo	5-11
5.7	Acoustic Pickup Preamp	5-12

6.0 Appendices

A1	Power Supply Design	6-1
A2	Decibel Conversion	6-11
A3	Wye-Delta Transformation	6-11
A4	Standard Building Block Circuits	6-12
A5	Magnetic Phono Cartridge Noise Analysis	6-13
A6	General Purpose Op Amps Useful for Audio	6-16
A7	Feedback Resistors and Amplifier Noise	6-17
A8	Reliability	6-18

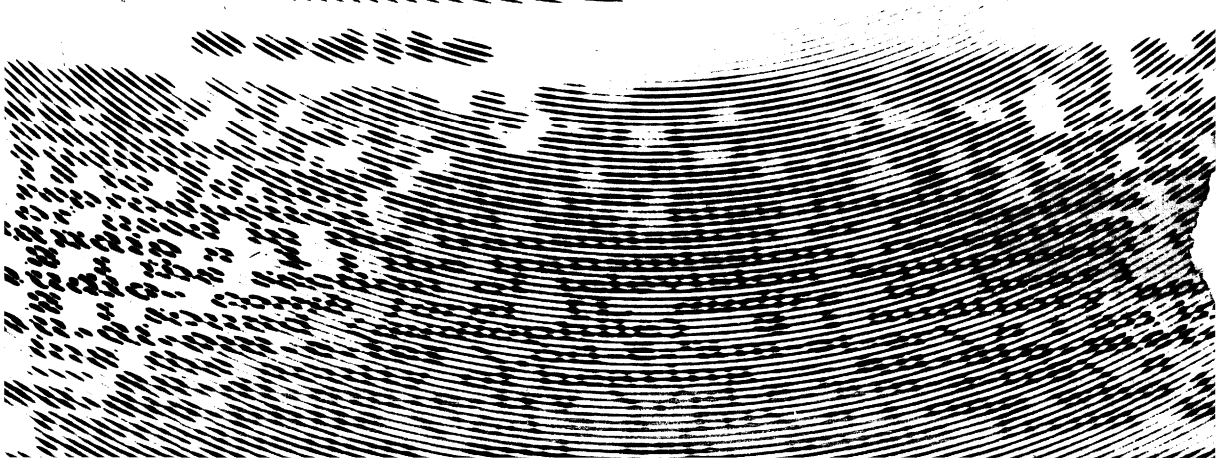
7.0 Index

*"Floobydust" is a contemporary term derived from the archaic Latin *miscellaneus*, whose disputed history probably springs from Greek origins (influenced, of course, by Egyptian linguists) — meaning here "a mixed bag."

Device Index

LM171	3-9	LM390	4-41
LM377	4-8	LM391	4-43
LM378	4-8	LM703	3-9
LM379	4-8	LM1303	2-24
LM380	4-21	LM1310	3-23
LM381	2-12	LM1351	3-13
LM381A	2-15	LM1800	3-23
LM382	2-20	LM1820	3-4
LM384	4-28	LM2111	3-13
LM386	4-30	LM3011	3-11
LM387	2-19	LM3065	3-15
LM387A	2-19	LM3075	3-15
LM388	4-37	LM3089	3-18
LM389	4-33	MM5837	2-56

Section 1.0 Introduction



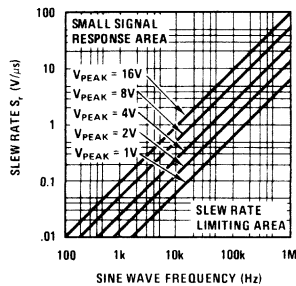


FIGURE 1.2.1 Sine Wave Response

This frequency can be derived by inserting the amplifier slew rate and peak rated output voltage into Equation (1.2.5). The bandwidth from DC to the resulting f_{max} is the full-power bandwidth or "large signal response" of the amplifier. For example, the full-power bandwidth of the LM741 with a $0.5V/\mu s$ S_r is approximately 6kHz while the full-power bandwidth of the LF356 with a S_r of $12V/\mu s$ is approximately 160kHz.

1.2.2 Open Loop Gain

Since virtually all of an amplifier's closed loop performance depends heavily upon the amount of loop-gain available, open loop gain becomes very important. Input impedance, output impedance, harmonic distortion and frequency response all are determined by the difference between open loop gain and closed loop gain, i.e., the loop gain (in dB). Details of this relationship are covered in Section 2.1. What is desired is high open loop gain — the higher the better.

1.2.3 Bandwidth and Gain-Bandwidth

Closely related to the slew rate capabilities of an amplifier is its unity gain bandwidth, or just "bandwidth." The "bandwidth" is defined as the frequency where the open loop gain crosses unity. High slew rate devices will exhibit wide bandwidths.

Because the size of the capacitor required for internally compensated devices determines the slew rate — hence, the bandwidth — one method used to design faster amplifiers is to simply make the capacitor smaller. This creates a faster IC but at the expense of unity-gain stability. Known as a *decompensated* (as opposed to *uncompensated* — no capacitor) amplifier, it is ideal for most audio applications requiring gain.

The term *gain-bandwidth* is used frequently in place of "unity gain bandwidth." The two terms are equal numerically but convey slightly different information. Gain-bandwidth, or gain-bandwidth product, is a combined measure of open loop gain and frequency response — being the product of the available gain at any frequency times that frequency. For example, an LM381 with gain of around $2000V/V$ at 10kHz yields a GBW equal to 20MHz. The GBW requirement for accurate audio reproduction may be derived for general use by requiring a minimum loop-gain of 40dB (for distortion reduction) at 20kHz for an amplifier with a closed loop gain of 20dB. This means a minimum open loop gain of 60dB ($1000V/V$) at 20kHz, or a GBW equal to 20MHz. Requirements for lo-fi and mid-fi designs, where reduced frequency response and higher distortion are allowable, would, of course, be less.

1.2.4 Noise

The importance of noise performance from an integrated circuit used to process audio is obvious and needs little discussion. Noise specifications normally appear as "Total Equivalent Input Noise Voltage," stated for a certain source impedance and bandwidth. This is the most useful number, since it is what gets amplified by the closed loop gain of the amplifier. For high source impedances, noise current becomes important and must be considered, but most driving impedances are less than 600Ω , so knowledge of noise voltage is sufficient.

1.2.5 Total Harmonic Distortion

Need for low total harmonic distortion (THD) is also obvious and need not be belabored. THD performance for preamplifier ICs will state the closed loop gain and frequency at which it was measured, while audio power amplifiers will also include the power output.

1.2.6 Supply Voltage

Consideration of supply voltage limits may be more important than casual thought would indicate. For preamplifier ICs and general purpose op amps, attention needs to be directed to supply voltage from a dynamic range, or "headroom," standpoint. Much of audio processing requires headroom on the order of 20-40dB if transient clipping is to be avoided. For a design needing 26dB dynamic range with a nominal input of 50mV and operating at a closed loop gain of 20dB, a supply voltage of at least 30V would be required. It is important, therefore, to be sure the IC has a supply voltage rating adequate to handle the worst case conditions. These occur for high power line cases and low current drain, requiring the IC user to check the "absolute maximum" ratings for supply voltage to be sure there are no conditions under which they will be exceeded. Remember, "absolute maximum" means just that — it is not the largest supply you can apply; it is the value which, if exceeded, causes all bets to be cancelled. This problem is more acute for audio power devices since their supplies tend to sag greatly, i.e., the difference between no power out and full power out can cause variations in power supply level of several volts.

1.2.7 Ripple Rejection

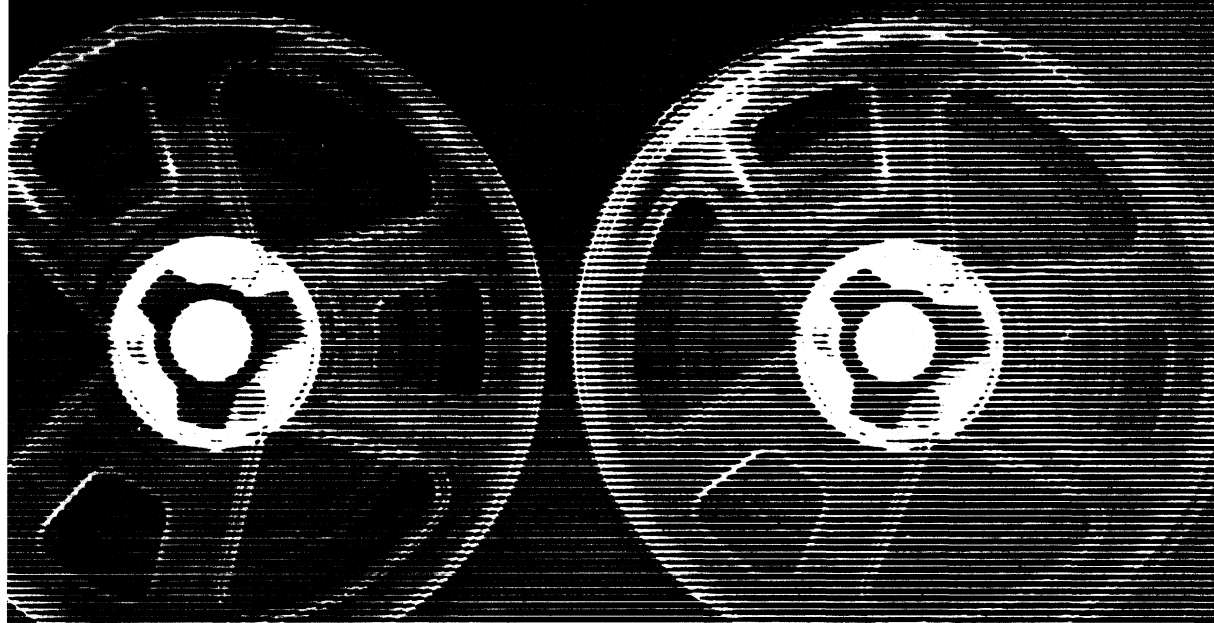
An integrated circuit's ability to reject supply ripple is important in audio applications. The reason has to do with minimizing hum within the system — high ripple rejection means low ripple bleedthrough to the output, where it adds to the signal as hum. Relaxed power supply design (i.e., ability to tolerate large amounts of ripple) is allowed with high ripple rejection parts.

Supply ripple rejection specifications cite the amount of rejection to be expected at a particular frequency (normally 120Hz), or over a frequency band, and is usually stated in dB. The figure may be "input referred" or "output referred." If input referred, then it is analogous to input referred noise and this amount of ripple will be multiplied by the gain of the amplifier. If output referred, then it is the amount of ripple expected at the output for the given conditions.

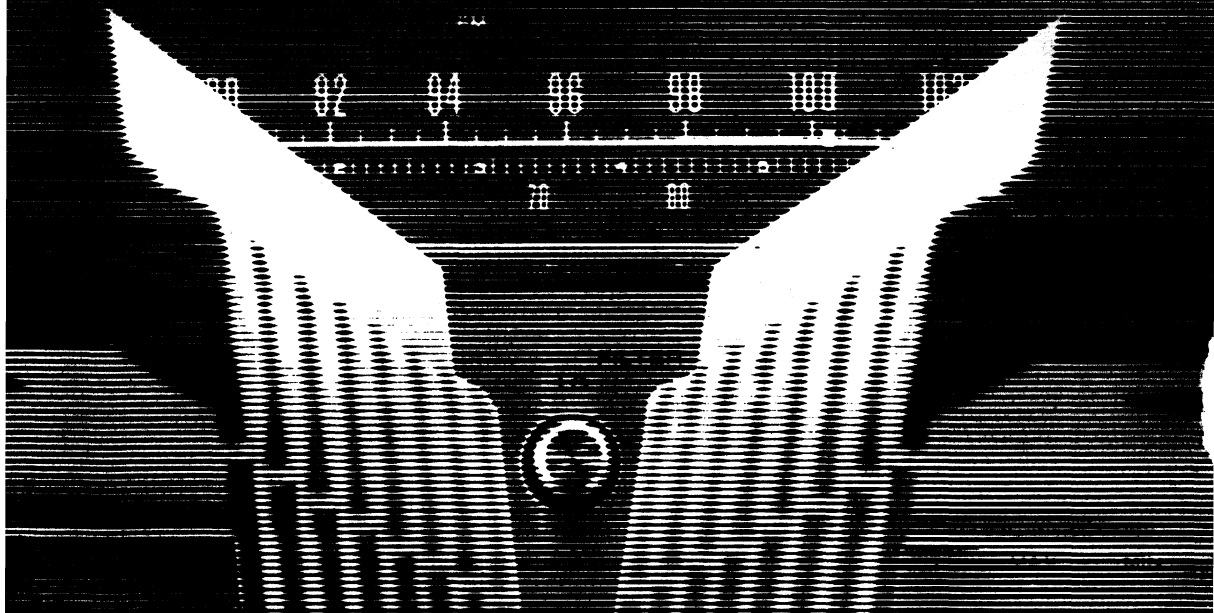
REFERENCES

1. Solomon, J. E., Davis, W. R., and Lee, P. L., "A Self-Compensated Monolithic Operational Amplifier with Low Input Current and High Slew Rate," *ISSCC Digest Tech. Papers*, February 1969, pp. 14-15.

Section 2.0 Preamplifiers



STEREO RECEIVER



Real-world ground leads possess finite resistance, and the currents running through them will cause finite voltage drops. If two ground return lines tie into the same path at different points there will be a voltage drop between them. Figure 2.2.1a shows a common-ground example where the positive input ground and the load ground are returned to the supply ground point via the same wire. The addition of the finite wire resistance (Figure 2.2.1b) results in a voltage difference between the two points as shown.

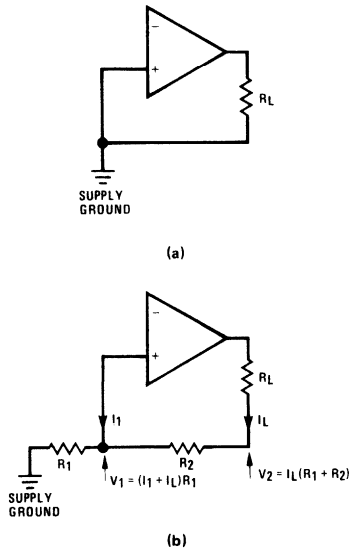


FIGURE 2.2.1 Ground Loop Example

Load current I_L will be much larger than input bias current I_1 , thus V_1 will follow the output voltage directly, i.e., in phase. Therefore the voltage appearing at the non-inverting input is effectively positive feedback and the circuit may oscillate. If there were only one device to worry about then the values of R_1 and R_2 would probably be small enough to be ignored; however, several devices normally comprise a total system. Any ground return of a separate device, whose output is in phase, can feedback in a similar manner and cause instabilities. Out of phase ground loops also are troublesome, causing unexpected gain and phase errors.

The solution to this and other ground loop problems is to *always use a single-point ground system*. Figure 2.2.2 shows a single-point ground system applied to the example of Figure 2.2.1. The load current now returns directly to the supply ground without inducing a feedback voltage as before.

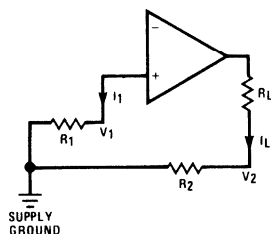


FIGURE 2.2.2 Single-Point Ground System

The single-point ground concept should be applied rigorously to all components and all circuits. Violations of single-point grounding are most common among printed circuit board designs. Since the circuit is surrounded by large ground areas the temptation to run a device to the closest ground spot is high. This temptation must be avoided if stable circuits are to result.

A final rule is to make all ground returns low resistance and low inductance by using large wire and wide traces.

2.2.3 Supply Bypassing

Many IC circuits appearing in print (including many in this handbook) do not show the power supply connections or the associated bypass capacitors for reasons of circuit clarity. *Shown or not, bypass capacitors are always required.* Ceramic disc capacitors (0.1 μF) or solid tantalum (1 μF) with short leads, and located close (within one inch) to the integrated circuit are usually necessary to prevent interstage coupling through the power supply internal impedance. Inadequate bypassing will manifest itself by a low frequency oscillation called "motorboating" or by high frequency instabilities. Occasionally multiple bypassing is required where a 10 μF (or larger) capacitor is used to absorb low frequency variations and a smaller 0.1 μF disc is paralleled across it to prevent any high frequency feedback through the power supply lines.

In general, audio ICs are wide bandwidth ($\sim 10\text{MHz}$) devices and decoupling of each device is required. Some applications and layouts will allow one set of supply bypassing capacitors to be used common to several ICs. This condition cannot be assumed, but must be checked out prior to acceptance of the layout. Motorboating will be audible, while high frequency oscillations must be observed with an oscilloscope.

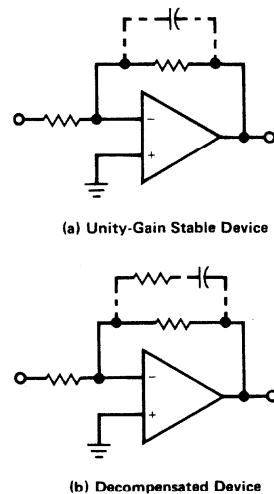


FIGURE 2.2.3 Addition of Feedback Capacitor

2.2.4 Additional Stabilizing Tips

If all of the previous rules are followed closely, no instabilities should occur within the circuit; however, Murphy being the way he is, some circuits defy these rules and oscillate anyway. Several additional techniques may be required when persistent oscillations plague a circuit:

- Reduce high impedance positive inputs to the minimum allowable value (e.g., replace 1 Meg biasing resistors with 47k ohm, etc.).
- Add small (< 100pF) capacitors across feedback resistors to reduce amplifier gain at high frequencies (Figure 2.2.3). **Caution: this assumes the amplifier is unity-gain stable.** If not, addition of this capacitor will *guarantee* oscillations. (For amplifiers that are not unity-gain stable, place a resistor in series with the capacitor such that the gain does not drop below where it is stable.)
- Add a small capacitor (size is a function of source resistance) at the positive input to reduce the impedance to high frequencies and effectively shunt them to ground.

2.3 NOISE

2.3.1 Introduction

The noise performance of IC amplifiers is determined by four primary noise sources: thermal noise, shot noise, 1/f, and popcorn noise. These four sources of noise are briefly discussed. Their contribution to overall noise performance is represented by equivalent input generators. In addition to these equivalent input generators, the effects of feedback and frequency compensation on noise are also examined. The noise behavior of the differential amplifier is noted since most op amps today use a differential pair. Finally noise measurement techniques are presented.

2.3.2 Thermal Noise

Thermal noise is generated by any passive resistive element. This noise is "white," meaning it has a constant spectral density. Thermal noise can be represented by a mean-square voltage generator e_R^2 in series with a noiseless resistor, where e_R^2 is given by Equation (2.3.1).

$$\overline{e_R^2} = 4k TRB \text{ (volts)}^2$$

where: T = temperature in °K

R = resistor value in ohms

B = noise bandwidth in Hz

k = Boltzmann's constant ($1.38 \times 10^{-23} \text{W-sec}^\circ\text{K}$)

The RMS value of Equation (2.3.1) is plotted in Figure 2.3.1 for a one Hz bandwidth. If the bandwidth is increased, the plot is still valid so long as e_R is multiplied by \sqrt{B} .

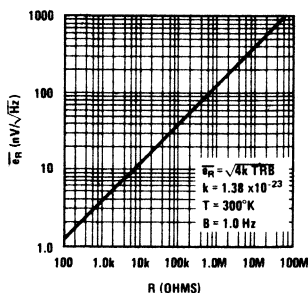


FIGURE 2.3.1 Thermal Noise of Resistor

Actual resistor noise measurements may have more noise than shown in Figure 2.3.1. This additional noise component

is known as *excess noise*. Excess noise has a 1/f spectral response, and is proportional to the voltage drop across the resistor. It is convenient to define a *noise index* when referring to excess noise in resistors. *The noise index is the RMS value in μV of noise in the resistor per volt of DC drop across the resistor in a decade of frequency.* Noise index expressed in dB is:

$$NI = 20 \log \left(\frac{E_{ex}}{V_{DC}} \times 10^6 \right) \text{ dB}$$

where: E_{ex} = resistor excess noise in μV per frequency decade.

V_{DC} = DC voltage drop across the resistor.

Excess noise in carbon composition resistors corresponds to a large noise index of +10dB to -20dB. Carbon film resistors have a noise index of -10dB to -25dB. Metal film and wire wound resistors show the least amount of excess noise, with a noise index figure of -15dB to -40dB. For a complete discussion of excess noise see Reference 2.

2.3.3 Noise Bandwidth

Noise bandwidth is not the same as the common amplifier or transfer function -3dB bandwidth. Instead, noise bandwidth has a "brick-wall" filter response. The maximum power gain of a transfer function $T(j\omega)$ multiplied by the noise bandwidth must equal the total noise which passes through the transfer function. Since the transfer function power gain is related to the square of its voltage gain we have:

$$(T_{MAX}^2)B = \int_0^{\infty} |T(j\omega)|^2 d\omega \quad (2.3.2)$$

where: T_{MAX} = maximum value of $T(j\omega)$

$T(j\omega)$ = transfer function voltage gain

B = noise bandwidth in Hz

For a single RC roll-off, the noise bandwidth B is $\pi/2$ f_{-3dB}, and for higher order maximally flat filters, see Table 2.3.1.

TABLE 2.3.1 Noise Bandwidth Filter Order

Filter Order	Noise Bandwidth B
1	1.57f _{-3dB}
2	1.11f _{-3dB}
3	1.05f _{-3dB}
4	1.025f _{-3dB}
"Brick-wall"	1.00f _{-3dB}

2.3.4 Shot Noise

Shot noise is generated by charge crossing a potential barrier. It is the dominant noise mechanism in transistors and op amps at medium and high frequencies. The mean square value of shot noise is given by:

$$\overline{I_S^2} = 2q I_{DC} B \text{ (amps)}^2 \quad (2.3.3)$$

where: q = charge of an electron in coulombs

I_{DC} = direct current in amps

B = noise bandwidth in Hz

Like thermal noise, shot noise has a constant spectral density.

2

1. If the frequency range of interest is in the flat band, i.e., between 1 kHz and 10 kHz in Figure 2.3.3, it is simply a matter of multiplying e_N by the square root of the noise bandwidth. Then, in the 1 kHz-10 kHz band, total noise is:

$$e_N = 11.1 \sqrt{9000}$$

$$= 1.05 \mu\text{V}$$

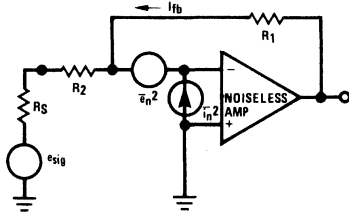
2. If the frequency band of interest is not in the flat band of Figure 2.3.3, one must break the band into sections, calculating average noise in each section, squaring, multiplying by section bandwidth, summing all sections, and finally taking square root of the sum as follows:

$$e_N = \sqrt{e_{R^2} B + \sum_1^i (\overline{e_N^2} + \overline{i_n^2} R_s^2)_i B_i} \quad (2.3.6)$$

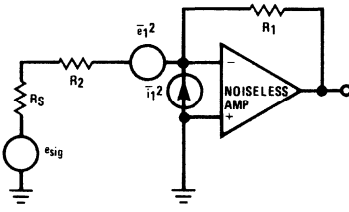
where: i is the total number of sub-blocks

For details and examples of this type of calculation, see application note AN-104, "Noise Specs Confusing?"

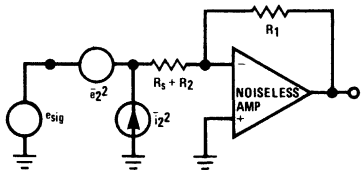
Current feedback is accomplished by shunt-shunt feedback as shown in Figure 2.3.7a.



(a) Practical Current Feedback Amplifier



(b) Intermediate Move of Noise Generators



(c) Current Feedback with Noise Generators Moved Outside Feedback Loop

FIGURE 2.3.7

$\overline{e_n^2}$ and $\overline{i_n^2}$ can be moved outside the feedback loop if the noise generated by R_1 and R_2 are taken into account.

First, move the noise generators outside feedback R_1 . To do this, represent the thermal noise generated by R_1 as a noise current source (Figure 2.3.7b):

$$\overline{i_{R_1}^2} = 4k T \frac{1}{R_1} B$$

$$\text{so: } \overline{e_1^2} = \overline{e_n^2}$$

$$\text{and: } \overline{i_1^2} = \overline{i_n^2} + 4k T \frac{1}{R_1} B$$

Now move these noise generators outside $R_s + R_2$ as shown in Figure 2.3.7c to obtain $\overline{e_2^2}$ and $\overline{i_2^2}$:

$$\overline{e_2^2} = \overline{e_n^2} + 4k T (R_s + R_2) B \quad (2.3.7)$$

$$\overline{i_2^2} = \overline{i_n^2} + 4k T \frac{1}{R_1} B \quad (2.3.8)$$

$\overline{e_2^2}$ and $\overline{i_2^2}$ are the equivalent input generators with feedback applied. The total equivalent input noise, e_N , is the sum of the noise produced with the input shorted, and the noise produced with the input opened. With the input of Figure 2.3.7c shorted, the input referred noise is $\overline{e_2^2}$. With the input opened, the input referred noise is:

$$\left(\frac{i_2 R_1}{A_V} \right)^2 = \overline{i_2^2} (R_s + R_2)^2$$

The total equivalent input noise is:

$$e_N = \sqrt{\overline{e_2^2} + \overline{i_2^2} (R_s + R_2)^2}$$

Example 2.3.2

Determine the total equivalent input noise per unit bandwidth for the amp of Figure 2.3.7a operating at 1 kHz from a 1 k Ω source. Assume R_1 is 100 k Ω and R_2 is 9 k Ω .

Solution

Use data from Figures 2.3.1 and 2.3.3.

1. Thermal noise from $R_s + R_2$ is 12.7 nV/ $\sqrt{\text{Hz}}$.
2. Read e_n from figure 2.3.3 at 1 kHz; this value is 9.5 nV/ $\sqrt{\text{Hz}}$. Enter these values into Equation (2.3.7).
3. Determine the thermal noise current contributed by R_1 :

$$i_{R_1} = \sqrt{4k T \frac{1}{R_1} B} = \sqrt{\frac{1.61 \times 10^{-20}}{100k}} = 0.401 \text{ pA}/\sqrt{\text{Hz}}$$

4. Read i_n from Figure 2.3.3 at 1 kHz; this value is 0.68 pA/ $\sqrt{\text{Hz}}$. Enter these values into Equation (2.3.7).

$$e_N = \sqrt{\overline{e_n^2} + (R_s + R_2)^2 (\overline{i_n^2} + 4k T \frac{1}{R_1} B) + 4k T (R_s + R_2) B}$$

$$e_N = \sqrt{(9.5)^2 + (10k)^2 (0.68^2 + 0.401^2) + (12.7)^2 \text{ nV}/\sqrt{\text{Hz}}}$$

$$e_N = 17.7 \text{ nV}/\sqrt{\text{Hz}}$$

For the noise in the bandwidth from 1 kHz to 10 kHz, $e_N = 17.7 \text{ nV} \sqrt{9000} = 1.68 \mu\text{V}$. If the noise is not constant with frequency, the method shown in Equation (2.3.6) should be used.

TABLE 2.3.2 Equivalent Input Noise Comparison

NON-INVERTING AMPLIFIER					INVERTING AMPLIFIER				
A_V	R_S	R_1	R_2	e_N (nV $\sqrt{\text{Hz}}$)	A_V	R_S	R_1	R_2	e_N (nV $\sqrt{\text{Hz}}$)
101	1k	100k	1k	11.1	100	1k	100k	0	10.3
11	1k	100k	10k	17.3	10	1k	100k	9k	17.7
2	1k	100k	100k	46.0	2	1k	100k	49k	49.5
1	1k	100k	∞	80.2	1	1k	100k	99k	89.1

Example 2.3.3

Compare the noise performance of the non-inverting amplifier of Figure 2.3.6a to the inverting amplifier of Figure 2.3.7a.

Solution:

The best way to proceed here is to make a table and compare the noise performance with various gains.

Table 2.3.2 shows only a small difference in equivalent input noise for the two amplifiers. There is, however, a large difference in the flexibility of the two amplifiers. The gain of the inverting amplifier is a function of its input resistance, R_2 . Thus, for a given gain and input resistance, R_1 is fixed. This is not the case for the non-inverting amplifier. The designer is free to pick R_1 and R_2 independent of the amplifier's input impedance. Thus in the case of unity gain, where $R_2 = \infty$, R_1 can be zero ohms. The equivalent input noise is:

$$e_N = \sqrt{e_n^2 + 4k T R_S + i_r^2 R_S^2}$$

$$e_N = 10.3 \text{ nV}/\sqrt{\text{Hz}}$$

There is now a large difference in the noise performance of the two amplifiers. Table 2.3.2 also shows that *the equivalent input noise for practical feedback can change as a function of closed loop gain A_V . This result is somewhat different from the case of ideal feedback.*

Example 2.3.4

Determine the signal-to-noise ratio for the amplifier of Example 2.3.2 if e_{SIG} has a nominal value of 100mV.

Solution:

Signal to noise ratio is defined as:

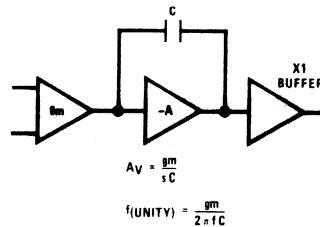
$$S/N = 20 \log \frac{e_{SIG}}{e_N} \tag{2.3.9}$$

$$= 20 \log \frac{100 \text{ mV}}{1.68 \text{ } \mu\text{V}} = 95.5 \text{ dB}$$

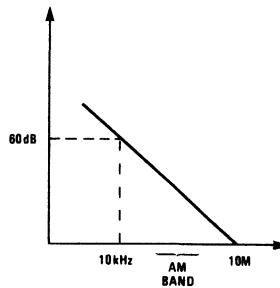
2.3.10 RF Precautions

A source of potential RF interference that needs to be considered in AM radio applications lies in the radiated wideband noise voltage developed at the speaker terminals. The method of amplifier compensation (Figure 2.3.8a) fixes the point of unity gain cross at approximately 10MHz (Figure 2.3.8b). A wideband design is essential in achieving low distortion performance at high audio frequencies, since it allows adequate loop-gain to reduce THD. (Figure 2.3.8b shows that for a closed-loop gain of 34dB there still exists 26dB of loop-gain at 10kHz.)

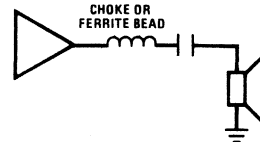
The undesirable consequence of a single-pole roll-off, wide-band design is the excess gain beyond audio frequencies, which includes the AM band; hence, noise of this frequency is amplified and delivered to the load where it can radiate back to the AM (magnetic) antenna and sensitive RF circuits. A simple and economical remedy is shown in Figure 2.3.8c, where a ferrite bead, or small RF choke is added in series with the output lead. Experiments have demonstrated that this is an effective method in suppressing the unwanted RF signals.



(a) Typical Compensation



(b) Source of RF Interference

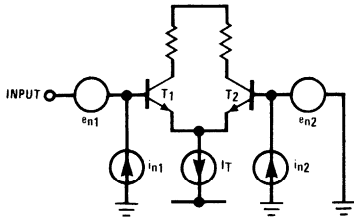


(c) Reduction of RF Interference

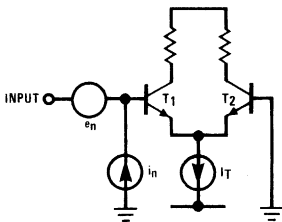
FIGURE 2.3.8

2.3.11 Noise in the Differential Pair

Figure 2.3.9a shows a differential amplifier with noise generators e_{n1} , i_{n1} , e_{n2} , and i_{n2} .



(a) Differential Pair with Noise Generators



(b) Differential Pair with Generators Input Referred

FIGURE 2.3.9

To see the intrinsic noise of the pair, short the base of T_2 to ground, and refer the four generators to an input noise voltage and noise current as shown in Figure 2.3.9b. To determine e_n , short the input of 9(a) and 9(b) to ground. e_n is then the series combination of e_{n1} and e_{n2} . These add in an RMS fashion, so:

$$e_n = \sqrt{e_{n1}^2 + e_{n2}^2}$$

Both generators contribute the same noise, since the transistors are similar and operate at the same current; thus, $e_n = \sqrt{2} e_{n1}$, i.e., 3dB more noise than a single ended amplifier. This can be significant in critical noise applications (see Section 2.7).

In order to find the input noise current generator, i_n , open the input and equate the output noise from Figure 2.3.9a and Figure 2.3.9b. The result of this operation is $i_n = i_{n1}$. Thus, from a high impedance source, the differential pair gives similar noise current as a single transistor.

2.3.12 Noise Measurement Techniques

This section presents techniques for measuring e_n , i_n , and e_N . The method can be used to determine the spectral density of noise, or the noise in a given bandwidth. The circuit for measuring the noise of an LM387 is shown in Figure 2.3.10.

The system gain, V_{OUT}/e_n , of the circuit in Figure 2.3.10 is large — 80dB. This large gain is required since we are trying to measure *input referred noise generators* on the order of $5\text{nV}/\sqrt{\text{Hz}}$, which corresponds to $50\mu\text{V}/\sqrt{\text{Hz}}$ at the output. R_1 and R_2 form a 100:1 attenuator to provide a low input signal for measuring the system gain. The gain should be measured in both the e_n and i_n positions, since LM387 has a 250k bias resistor which is between input and ground. The LM387 of Figure 2.3.10 has a closed loop gain of 40dB which is set by feedback elements R_5 and R_6 . 40dB provides adequate gain for the input referred generators of the LM387; consequently, noise at the output of the LM387 will be due to the LM387. To measure the noise voltage e_n , and noise current $i_n \times R_3$, a wave analyzer or noise filter set is connected. In addition the noise in a given bandwidth can be measured by using a bandpass filter and an RMS voltmeter. If a true RMS voltmeter is not available, an average responding meter works well. When using an average responding meter, the measured noise must be multiplied by 1.13 since the meter is calibrated to measure RMS *sine waves*. The meter used for measuring noise should have a crest factor (ratio of peak to RMS value) from 3 to 5, as the peak to RMS ratio of noise is on that order. Thus, if an average responding meter measures 1mV of noise, the RMS value would be $1.13\text{mV}_{\text{RMS}}$, and the peak-to-peak value observed on an oscilloscope could be as high as 11.3mV ($1.13\text{mV} \times 2 \times 5$).

Some construction tips for the circuit of Figure 2.3.10 are as follows:

1. R_4 and R_6 should be metal film resistors, as they exhibit lower excess noise than carbon film resistors.
2. C_1 should be large, to provide low capacitive reactance at low frequency, in order to accurately observe the 1/f noise in e_n .

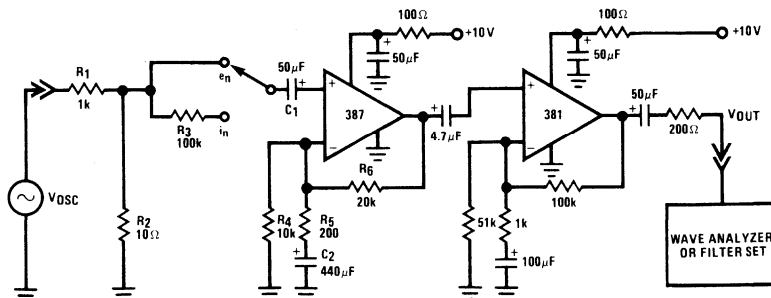


FIGURE 2.3.10 Noise Test Setup for Measuring e_n and i_n of an LM387

- C_2 should be large to maintain the gain of 80dB down to low frequencies for accurate $1/f$ measurements.
- The circuit should be built in a small grounded metal box to eliminate hum and noise pick-up, especially in i_n .
- The LM387 and LM381 should be separated by a metal divider within the metal box. This is to prevent output to input oscillations.

Typical LM387 noise voltage and noise current are plotted in Figure 2.3.11.

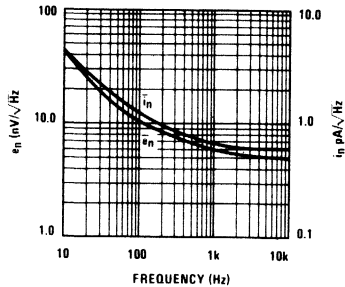


FIGURE 2.3.11 LM387 Noise Voltage and Noise Current

Many times we do not care about the actual spectral distribution of noise, rather we want to know the noise voltage in a given bandwidth for comparison purposes. For audio frequencies, we are interested only in a 20kHz bandwidth. The noise voltage is often the dominant noise source since many systems use a low impedance voltage drive as the signal. For this common case we use a test set-up as shown in Figure 2.3.12.

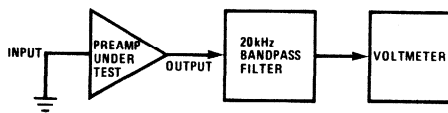


FIGURE 2.3.12 Test Setup for Measuring Equivalent Input Noise for a 20 kHz Bandwidth

Example 2.3.5

Determine the equivalent input noise voltage for the preamp of Figure 2.3.12. The gain, A_V , of the preamp is 40dB and the voltmeter reads 0.2mV. Assume the voltmeter is average responding and the 20kHz low-pass filter has a single R-C roll-off.

Solution:

Since the voltmeter is average responding, the RMS voltage is $V_{RMS} = 0.2\text{mV} \times 1.13 = 0.226\text{mV}$. Using an average responding meter causes only a 13% error. The filter has a single R-C roll-off, so the noise bandwidth is $\pi/2 \times 20\text{kHz} = 31.4\text{kHz}$, i.e., the true noise bandwidth is 31.4kHz and not 20kHz. Since RMS noise is related to the square root of the noise bandwidth, we can correct for this difference:

$$V_{OUT} = \sqrt{\frac{0.226}{\pi/2}} = 0.18\text{mV}$$

The equivalent input noise is:

$$\frac{V_{OUT}}{A_V} = \frac{0.18\text{mV}}{100} = 1.8\mu\text{V in a 20kHz bandwidth.}$$

If this preamp had an NAB or RIAA playback equalization, the output noise, V_{OUT} , would have been divided by the gain at 1kHz.

Typical values of noise, measured by the technique of Figure 2.3.12, are shown in Table 2.3.3. For this data, $B = 10\text{kHz}$ and $R_S = 600\Omega$.

TABLE 2.3.3 Typical Flat Band Equivalent Input Noise

Type	e_N (μV)
LM381	0.70
LM381A	0.50
LM382	0.80
LM387	0.80
LM387A	0.65

REFERENCES

- Meyer, R. G., "Notes on Noise," EECS Department, University of California, Berkeley, 1973.
- Fitchen, F. C., *Low Noise Electronic Design*, John Wiley & Sons, New York, 1973.
- Cherry, E. M. and Hooper, D. E., *Amplifying Devices and Low Pass Amplifier Design*, John Wiley & Sons, New York, 1968.
- Sherwin, J., *Noise Specs Confusing?*, Application Note AN-104, National Semiconductor, 1975.
- Roedel, R., "Reduction of Popcorn Noise in Integrated Circuits," *IEEE Trans. Electron Devices (Corresp.)*, vol. ED-22, October 1975, pp. 962-964.

2.4 AUDIO RECTIFICATION

Or, "How Come My Phono Detects AM?"

Audio rectification refers to the phenomenon of RF signals being picked up, rectified, and amplified by audio circuits – notably by high-gain preamplifiers. Of all types of interference possible to plague a hi-fi system, audio rectification remains the most slippery and troublesome. A common occurrence of audio rectification is to turn on a phonograph and discover you are listening to your local AM radio station instead. There exist four main sources of interference, each with a unique character: If it is clearly audible through the speaker then AM radio stations are probably the source; if the interference is audible but garbled then suspect SSB and amateur radio equipment; a decrease in volume can be produced by FM pickup; and if buzzing occurs, then RADAR or TV is being received. Whatever the source, the approaches to eliminating it are similar.

Commonly, the rectification occurs at the first non-linear, high gain, wide bandwidth transistor encountered by the incoming signal. The signal may travel in unshielded or improperly grounded input cables; it may be picked up through the air by long, poorly routed wires; or it may enter on the AC power lines. It is rectified by the first stage transistor acting as a detector diode, subsequently amplified by the remaining circuitry, and finally delivered to the speaker. Bad solder joints can defect the RF just as well as transistors and must be avoided (or suspected).

The following list should be consulted when seeking to eliminate audio rectification from existing equipment. For new designs, keep input leads short and shielded, with the shield grounded only at one point; make good clean solder connections; avoid loops created by multiple ground points; and make ground connections close to the IC or transistor that they associate with.

Audio Rectification Elimination Tips (Figure 2.4.1).

- Reduce input impedance.
- Place capacitor to ground close to input pin or base (~ 10-300pF).
- Use ceramic capacitors.
- Put ferrite bead on input lead close to the device input.
- Use RF choke in series with input (~ 10 μ H).
- Use RF choke (or ferrite bead) *and* capacitor to ground.
- Pray.

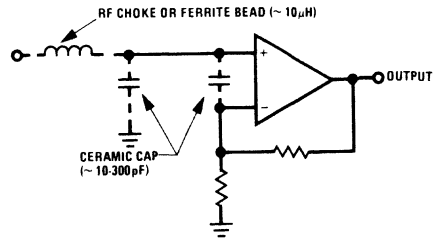


FIGURE 2.4.1 Audio Rectification Elimination Tips

A particularly successful technique is uniquely possible with the LM381 since both base and emitter points of the input transistor are available. A ceramic capacitor is mounted very close to the IC from pin 1 to pin 3, shorting base to emitter at RF frequencies (see Figure 2.4.2).

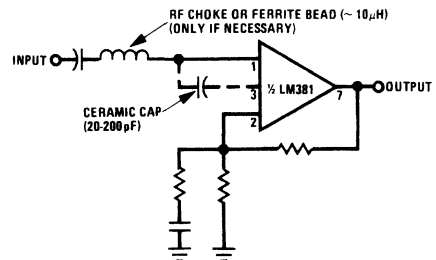


FIGURE 2.4.2 LM381 Audio Rectification Correction

2.5 DUAL PREAMPLIFIER SELECTION

National Semiconductor's line of integrated circuits designed specifically to be used as audio preamplifiers consists of the LM381, LM382, LM387, and the LM1303. All are dual amplifiers in recognition of their major use in two channel applications. In addition there exists the LM389 which has three discrete NPN transistors that can be configured into

a low noise monaural preamplifier for minimum parts count mono systems (Section 4.11). Table 2.5.1 shows the major electrical characteristics of each of the dual preamps offered. A detailed description of each amplifier follows, where the individual traits and operating requirements are presented.

TABLE 2.5.1 Dual Preamplifier Characteristics

PARAMETER	LM381N (14 Pin DIP)			LM382N (14 Pin DIP)			LM387N (8 Pin DIP)			LM1303N (14 Pin DIP)			UNITS
	MIN	TYP	MAX	MIN	TYP	MAX	MIN	TYP	MAX	MIN	TYP	MAX	
Supply Voltage	9		40	9		40	9		30 ⁶	±4.5		±15	V
Quiescent Supply Current		10			10	16		10				15	mA
Input Resistance (open loop)													
Positive Input		100k			100k		50k	100k			25k		Ω
Negative Input		200k			200k			200k			25k		Ω
Open Loop Gain		104			100			104		76	80		dBV
Output Voltage Swing R _L = 10kΩ		V _S - 2			V _S - 2			V _S - 2		11.3	15.6		V _{p-p}
Output Current													
Source		8 ²			8 ²			8 ²		0.6	0.8		mA
Sink		2			2			2		0.6	0.8		mA
Output Resistance (open loop)		150			150			150			4k		Ω
Slew Rate (A _V = 40dB)		4.7			4.7			4.7			5.0 ⁷		V/μs
Power Bandwidth													
20V _{p-p} (V _S = 24V)		75			75			75					kHz
11.3V _{p-p} (V _S = ±13V)											100		kHz
Unity Gain Bandwidth		15			15			15			20		MHz
Input Voltage													
Positive Input			300			300			300				mVRMS
Either Input												±5	V
Supply Rejection Ratio (Input Referred, 1kHz)		120			120			110					dBV
Channel Separation (f = 1kHz)		60		40	60		40	60		60	70		dBV
Total Harmonic Distortion (f = 1kHz) ³		0.1			0.1	0.3		0.1	0.5		0.1		%
Total Equivalent Input Noise (R _S = 600Ω, 10-10k Hz)		0.5 ⁴ 0.5 ^{4,5}	1.0 ⁴ 0.7 ^{4,5}		0.8	1.2		0.8	1.2	0.65 ⁶ 0.9 ⁶			μVRMS μVRMS
Total NAB ⁸ Output Noise (R _S = 600Ω, 10-10k Hz)		190 140 ⁵						230 180 ⁶					μVRMS μVRMS

- Specifications apply for T_A = 25°C with V_S = +14V for LM381/382/387 and V_S = +13V for LM1303, unless otherwise noted.
- DC current; symmetrical AC current = 2mA_{p-p}.
- LM381 & LM387: Gain = 60dB; LM382: Gain = 60dB; LM1303: Gain = 40dB.
- Single ended input biasing.
- LM381AN.
- 40V for LM387AN.
- Frequency Compensation: C = 0.0047μF, Pins 3 to 4.
- NAB reference level: 37dBV Gain at 1kHz. Tape Playback Circuit.

2.6 LM381 LOW NOISE DUAL PREAMPLIFIER

2.6.1 Introduction

The LM381 is a dual preamplifier expressly designed to meet the requirements of amplifying low level signals in low noise applications. Total equivalent input noise is typically $0.5\mu\text{VRMS}$ ($R_s = 600\Omega$, 10-10,000 Hz).

Each of the two amplifiers is completely independent, with an internal power supply decoupler-regulator, providing 120dB supply rejection and 60dB channel separation. Other outstanding features include high gain (112dB), large output voltage swing ($V_{CC} - 2V$) p.p., and wide power bandwidth (75kHz, $20V_{p-p}$). The LM381 operates from a single supply across the wide range of 9 to 40V. The amplifier is internally compensated and short-circuit protected.

Attempts have been made to fill this function with selected operational amplifiers. However, due to the many special requirements of this application, these recharacterizations have not adequately met the need.

With the low output level of magnetic tape heads and phonograph cartridges, amplifier noise becomes critical in achieving an acceptable signal-to-noise ratio. This is a major deficiency of the op amp in this application. Other inadequacies of the op amp are insufficient power supply rejection, limited small-signal and power bandwidths, and excessive external components.

2.6.2 Circuit Description

To achieve low noise performance, special consideration must be taken in the design of the input stage. First, the input should be capable of being operated single ended, since both transistors contribute noise in a differential stage degrading input noise by the factor $\sqrt{2}$. (See Section 2.3.) Secondly, both the load and biasing elements must be resistive, since active components would each contribute as much noise as the input device.

The basic input stage, Figure 2.6.1, can operate as a differential or single ended amplifier. For optimum noise performance Q_2 is turned OFF and feedback is brought to the emitter of Q_1 .

In applications where noise is less critical, Q_1 and Q_2 can be used in the differential configuration. This has the advantage of higher impedance at the feedback summing point, allowing the use of larger resistors and smaller capacitors in the tone control and equalization networks.

The voltage gain of the single ended input stage is given by:

$$A_{V(AC)} = \frac{R_L}{r_e} = \frac{200k}{1.25k} = 160 \quad (2.6.1)$$

$$\text{where: } r_e = \frac{KT}{qI_E} \approx 1.25 \times 10^3 \text{ at } 25^\circ\text{C, } I_E \approx 20\mu\text{A}$$

The voltage gain of the differential input stage is:

$$A_V = \frac{1}{2} \frac{R_L}{r_e} = \frac{1}{2} \frac{R_L q I_E}{KT} \approx 80 \quad (2.6.2)$$

The schematic diagram of the LM381, Figure 2.6.2, is divided into separate groups by function — first and second voltage gain stages, third current gain stage, and the bias regulator.

The second stage is a common-emitter amplifier (Q_5) with a current source load (Q_6). The Darlington emitter-follower

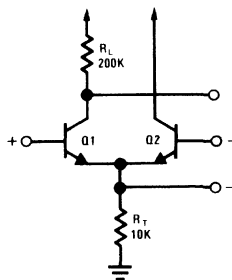


FIGURE 2.6.1 Input Stage

Q_3 , Q_4 provides level shifting and current gain to the common-emitter stage (Q_5) and the output current sink (Q_7). The voltage gain of the second stage is approximately 2,000, making the total gain of the amplifier typically 160,000 in the differential input configuration.

The preamplifier is internally compensated with the pole-splitting capacitor, C_1 . This compensates to unity gain at 15MHz. The compensation is adequate to preserve stability to a closed loop gain of 10. Compensation for unity gain closure may be provided with the addition of an external capacitor in parallel with C_1 between pins 5 and 6, 10 and 11.

Three basic compensation schemes are possible for this amplifier: first stage pole, second stage pole and pole-splitting. First stage compensation will cause an increase in high frequency noise because the first stage gain is reduced, allowing the second stage to contribute noise. Second stage compensation causes poor slew rate (power bandwidth) because the capacitor must swing the full output voltage. Pole-splitting overcomes both these deficiencies and has the advantage that a small monolithic compensation capacitor can be used.

The output stage is a Darlington emitter-follower (Q_8 , Q_9) with an active current sink (Q_7). Transistor Q_{10} provides short-circuit protection by limiting the output to 12mA.

The biasing reference is a zener diode (Z_2) driven from a constant current source (Q_{11}). Supply decoupling is the ratio of the current source impedance to the zener impedance. To achieve the high current source impedance necessary for 120dB supply rejection, a cascade configuration is used (Q_{11} and Q_{12}). The reference voltage is used to power the first stages of the amplifier through emitter-follower Q_{14} and Q_{15} . Resistor R_1 and zener Z_1 provide the starting mechanism for the regulator. After starting, zero volts appears across D_1 , taking it out of conduction.

2.6.3 Biasing

Figure 2.6.3 shows an AC equivalent circuit of the LM381. The non-inverting input, Q_1 , is referenced to a voltage source two V_{BE} above ground. The output quiescent point is established by negative DC feedback through the external divider R_4/R_5 (Figure 2.6.4).

For bias stability, the current through R_5 is made ten times the input current of Q_2 ($\approx 0.5\mu\text{A}$). Then, for the differential input, resistors R_5 and R_4 are:

$$R_5 = \frac{2V_{BE}}{10I_{Q2}} = \frac{1.3}{5 \times 10^{-6}} = 260k\Omega \text{ maximum} \quad (2.6.3)$$

$$R_4 = \left(\frac{V_{CC}}{2.6} - 1 \right) R_5 \quad (2.6.4)$$

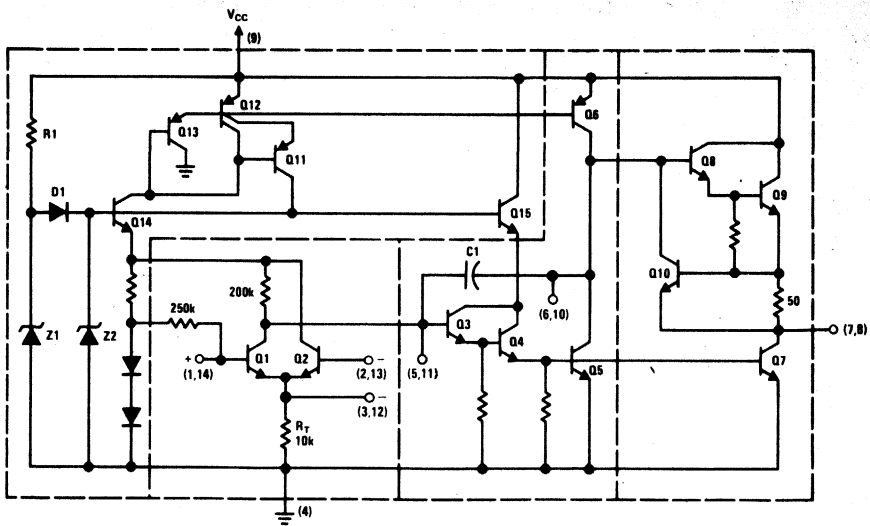


FIGURE 2.6.2 Schematic Diagram

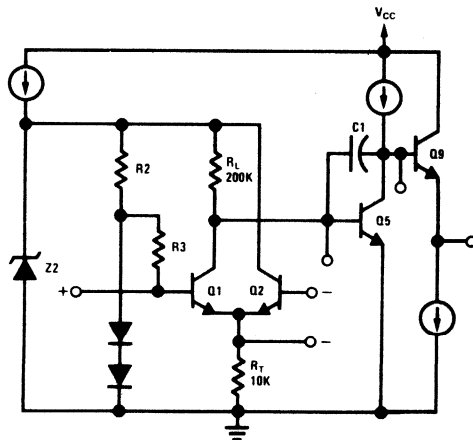


FIGURE 2.6.3 AC Equivalent Circuit

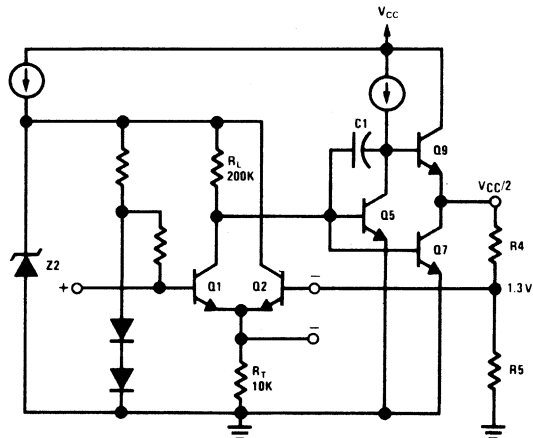


FIGURE 2.6.4 Differential Input Biasing

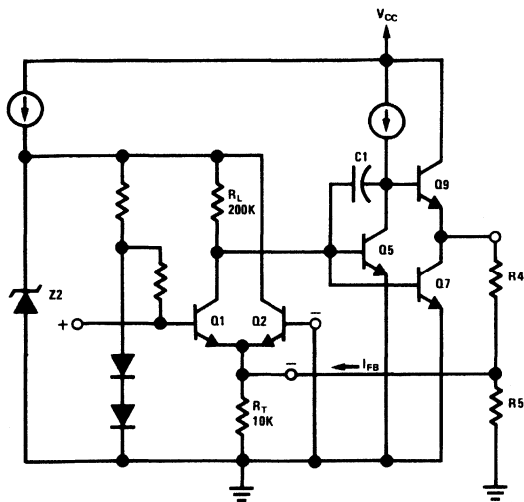


FIGURE 2.6.5 Single Ended Input Biasing

When using the single ended input, Q₂ is turned OFF and DC feedback is brought to the emitter of Q₁ (Figure 2.6.5). The impedance of the feedback summing point is now two orders of magnitude lower than the base of Q₂ (≈ 10kΩ). Therefore, to preserve bias stability, the impedance of the feedback network must be decreased. In keeping with reasonable resistance values, the impedance of the feedback voltage source can be 1/5 the summing point impedance. The feedback current is < 100μA worst case. Therefore, for single ended input, resistors R₅ and R₄ are:

$$R_5 = \frac{V_{BE}}{5 I_{FB}} = \frac{0.65}{5 \times 10^{-4}} = 1300\Omega \text{ maximum} \quad (2.6.5)$$

$$R_4 = \left(\frac{V_{CC}}{1.3} - 1 \right) R_5 \quad (2.6.6)$$

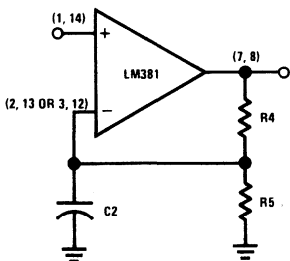


FIGURE 2.6.6 AC Open Loop

The circuits of Figures 2.6.4 and 2.6.5 have an AC and DC gain equal to the ratio R₄/R₅. To open the AC gain, capacitor C₂ is used to shunt R₅ (Figure 2.6.6). The AC

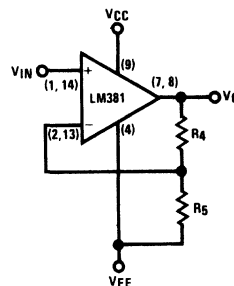
gain now approaches open loop. The low frequency 3dB corner, f_o, is given by:

$$f_o = \frac{A_o}{2 \pi C_2 R_4} \quad (2.6.7)$$

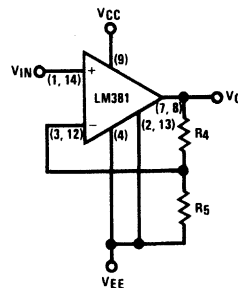
where: A_o = open loop gain

2.6.4 Split Supply Operation

Although designed for single supply operation, the LM381 may be operated from split supplies just as well. (A trade-off exists when unregulated negative supplies are used since the inputs are biased to the negative rail without supply rejection techniques and hum may be introduced.) All that is necessary is to apply the negative supply (V_{EE}) to the ground pin and return the biasing resistor R₅ to V_{EE} instead of ground. Equations (2.6.3) and (2.6.5) still hold, while the only change in Equations (2.6.4) and (2.6.6) is to recognize that V_{CC} represents the total potential across the LM381 and equals the absolute sum of the split supplies used, e.g., V_{CC} = 30 volts for ±15 volt supplies. Figure 2.6.7 shows a typical split supply application; both differential and single ended input biasing are shown. (Note that while the output DC voltage will be approximately zero volts the positive input DC potential is about 1.3 volts above the negative supply, necessitating capacitive coupling into the input.)



Differential Input Biasing



Single Ended Input Biasing

V_o DC ≈ 0 VOLTS
V_{IN} DC ≈ V_{EE} + 1.2 VOLTS

FIGURE 2.6.7 Split Supply Operation

2.6.5 Non-Inverting AC Amplifier

Perhaps the most common application of the LM381 is as a flat gain, non-inverting AC amplifier operating from a single supply. Such a configuration is shown in Figure 2.6.8. Resistors R_4 and R_5 provide the necessary biasing and establish the DC gain, AV_{DC} , per Equation (2.6.8).

$$AV_{DC} = 1 + \frac{R_4}{R_5} \quad (2.6.8)$$

AC gain is set by resistor R_6 with low frequency roll-off at f_0 being determined by capacitor C_2 .

$$AV_{AC} = 1 + \frac{R_4}{R_6} \quad (2.6.9)$$

$$C_2 = \frac{1}{2\pi f_0 R_6} \quad (2.6.10)$$

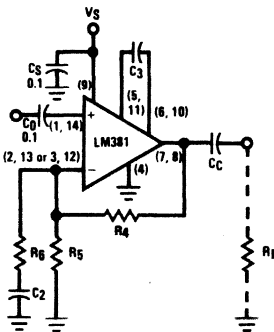


FIGURE 2.6.8 Non-inverting AC Amplifier

The small-signal bandwidth of the LM381 is nominally 20MHz, making the preamp suitable for wide-band instrumentation applications. However, in narrow-band applications it is desirable to limit the amplifier bandwidth and thus eliminate high frequency noise. Capacitor C_3 accomplishes this by shunting the internal pole-splitting capacitor (C_1), limiting the bandwidth of the amplifier. Thus, the high frequency -3dB corner is set by C_3 according to Equation (2.6.11).

$$C_3 = \frac{1}{2\pi f_3 \text{re} AV_{AC}} - 4 \times 10^{-12} \quad (2.6.11)$$

where: f_3 = high frequency -3dB corner
 re = first stage small-signal emitter resistance
 $\approx 1.3\text{k}\Omega$

AV_{AC} = mid-band gain in V/V

Capacitor C_0 acts as an input AC coupling capacitor to block DC potentials in both directions and can equal $0.1\mu\text{F}$ (or larger). Output coupling capacitor C_c is determined by the load resistance and low frequency corner f_0 per Equation (2.6.12).

$$C_c = \frac{1}{2\pi f_0 R_L} \quad (2.6.12)$$

Since the LM381 is a high gain amplifier, proper power supply decoupling is required. For most applications a $0.1\mu\text{F}$ ceramic capacitor (C_s) with short leads and located close (within one inch) to the integrated circuit is sufficient. When used non-inverting, the maximum input voltage of $300\text{mV}_{\text{RMS}}$ ($850\text{mV}_{\text{p-p}}$) must be observed to maintain linear operation and avoid excessive distortion. Such is not the case when used inverting.

2.6.6 Inverting AC Amplifier

The inverting configuration (2.6.9) is very useful since it retains the excellent low noise characteristics without the limit on input voltage and has the additional advantage of being inherently unity gain stable. This is achieved by the voltage divider action of R_6 and R_5 on the input voltage. For normal values of R_4 and R_5 (with typical supply voltages) the gain of the amplifier itself, i.e., the voltage gain relative to pins 2 or 13 rather than the input, is always around ten – which is stable. (See Section 2.8.7 for details.) The real importance is that while the addition of C_3 will guarantee unity gain stability (and roll-off high frequencies), it does so at the expense of slew rate.

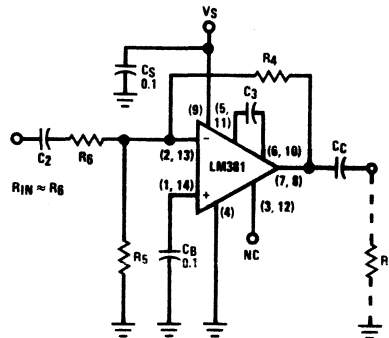


FIGURE 2.6.9 Inverting AC Amplifier

Using Figure 2.6.9 without C_3 at any gain retains the full slew rate of $4.7\text{V}/\mu\text{s}$. The new gain equations follow:

$$AV_{DC} = -\frac{R_4}{R_5} \quad (2.6.13)$$

$$AV_{AC} = -\frac{R_4}{R_6} \quad (2.6.14)$$

Capacitor C_2 is still found from Equation (2.6.10), and C_c and C_s are as before. Capacitor C_B is added to provide AC decoupling of the positive input and can be made equal to $0.1\mu\text{F}$. Observe that pins 3 and 12 are not used, since the inverting configuration is not normally used with single ended input biasing techniques.

2.7 LM381A DUAL PREAMPLIFIER FOR ULTRA-LOW NOISE APPLICATIONS

2.7.1 Introduction

The LM381A is a dual preamplifier expressly designed to meet the requirements of amplifying low level signals in noise critical applications. Such applications include hydro-

phones, scientific and instrumentation recorders, low level wideband gain blocks, tape recorders, studio sound equipment, etc.

The LM381A can be externally biased for optimum noise performance in ultra-low noise applications. When this is done the LM381A provides a wideband, high gain amplifier with noise performance that exceeds that of today's best transistors.

The amplifier can be operated in either the differential or single ended input configuration. However, for optimum noise performance, the input must be operated single ended, since both transistors contribute noise in a differential stage, degrading input noise by the factor $\sqrt{2}$. (See Section 2.3.) A second consideration is the design of the input bias circuitry. Both the load and biasing elements must be resistive, since active components would each contribute additional noise equal to that of the input device. Thirdly, the current density of the input device should be optimized for the source resistance of the input transducer.

2.7.2 Optimizing Input Current Density

Figures 2.7.1 and 2.7.2 show the wide-band (10Hz-10kHz) input noise voltage and input noise current versus collector current for the single ended input configuration of the LM381A. Total input noise of the amplifier is found by:

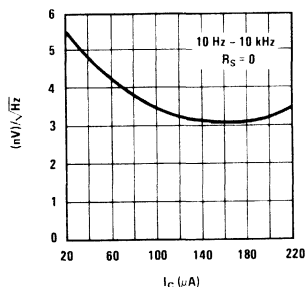


FIGURE 2.7.1 Wideband Equivalent Input Noise Voltage vs Collector Current

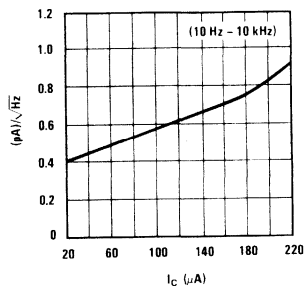


FIGURE 2.7.2 Wideband Equivalent Input Noise Current vs Collector Current

$$E_T = \sqrt{[e_n^2 + (i_n R_s)^2 + 4kTR_s]} \text{ B.W.} \quad (2.7.1)$$

where: e_n = amplifier noise voltage/ $\sqrt{\text{Hz}}$

i_n = amplifier noise current/ $\sqrt{\text{Hz}}$

R_s = source resistance in Ω

k = Boltzmann's constant = $1.38 \times 10^{-23} \text{ J/}^\circ\text{K}$

T = source resistance temperature in $^\circ\text{K}$

B.W. = noise bandwidth

Figure 2.7.3 shows a plot of input transistor (Q_1) collector current versus source resistance for optimum noise performance of the LM381A. For source impedances less than $3\text{k}\Omega$ the noise voltage term (e_n) dominates and the input is biased at $170\mu\text{A}$, which is optimum for noise voltage. In the region between $3\text{k}\Omega$ and $15\text{k}\Omega$, both the e_n and $i_n R_s$ terms contribute and the input should be biased as indicated by Figure 2.7.3. Above $15\text{k}\Omega$, the $i_n R_s$ term is dominant and the amplifier is operated without additional external biasing.

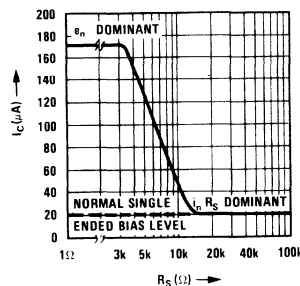


FIGURE 2.7.3 Collector Current vs Source Resistance for Optimum Noise Performance

Figure 2.7.4 shows the input stage of the LM381A with the external components added to increase the current density of transistor Q_1 . Resistors R_1 and R_2 supply the additional current (I_2) to the existing collector current (I_1), which is approximately $18\mu\text{A}$.

The sum of resistors R_1 and R_2 is given by:

$$(R_1 + R_2) = \frac{V_S - 2.1}{I_C - 18 \times 10^{-6}} \quad (2.7.2)$$

For DC considerations, only the sum ($R_1 + R_2$) is important. When considering the AC effects, however, the values of R_1 and R_2 become significant.

Since resistors R_1 and R_2 are biased from the power supply, the decoupling capacitor, C_1 , is required to preserve supply rejection. The value of C_1 is given by:

$$C_1 = \frac{10^{\text{P.S.R.}/20}}{2\pi f_s R_1 A_1} \quad (2.7.3)$$

where: P.S.R. = supply rejection in dB referred to input

f_s = frequency of supply ripple

A_1 = voltage gain of first stage

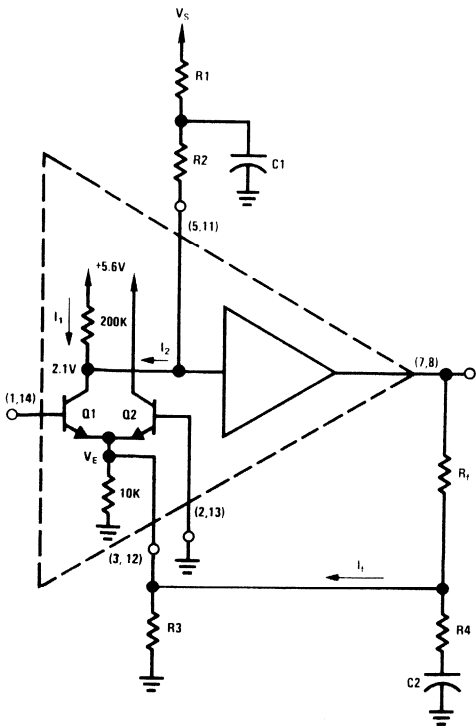


FIGURE 2.7.4 LM381A with Biasing Components for Increasing Q₁ Current Density

As R₁ becomes smaller capacitor C₁ increases for a given power supply rejection ratio. Conversely, as R₂ becomes smaller the gain of the input stage decreases, adversely affecting noise performance. For the range of collector currents over which the LM381A is operating, a reasonable compromise is obtained with:

$$R_2 = 3R_1 \quad (2.7.4)$$

The gain of the input stage is:

$$A_1 = \frac{(2 \times 10^5) R_2}{R_2 + 2 \times 10^5} \quad (2.7.5)$$

$$= \frac{0.026}{I_c} + \frac{1}{\frac{1}{10^4} + \frac{1}{R_3} + \frac{1}{R_4}}$$

Adding current to Q₁ increases the base current flowing through the 250k bias resistor. This voltage drop affects Q₁ emitter voltage V_E as follows:

$$V_E = 0.8 - \left(\frac{I_c}{130} \times 250k \right) \quad (2.7.6)$$

Resistor divider R_f/R₃ provides negative DC feedback around the amplifier establishing the quiescent operating point. R_f is found by:

$$R_f = \frac{1}{2} \left[\frac{V_S R_3 \times 10^4}{V_E (R_3 + 1 \times 10^4) - I_c (R_3 \times 10^4)} \right] \quad (2.7.7)$$

For DC stability let: (For production use, R₃ is made equal to a 2.5kΩ trimpot, allowing process variations while preserving output DC level.)

$$R_3 = 1k\Omega \text{ nominal} \quad (2.7.8)$$

R_f can then be found from:

$$R_f = \frac{1}{2} \left[\frac{V_S \times 10^7}{V_E (1.1 \times 10^4) - I_c \times 10^7} \right] \quad (2.7.9)$$

where: V_S = supply voltage

I_c = Q₁ collector current

The AC closed loop gain is set by the ratio:

$$(R_f + R_4)/R_4 \quad (2.7.10)$$

Capacitor C₂ sets the low frequency 3dB corner where:

$$f_o = \frac{1}{2\pi C_2 R_4} \quad (2.7.11)$$

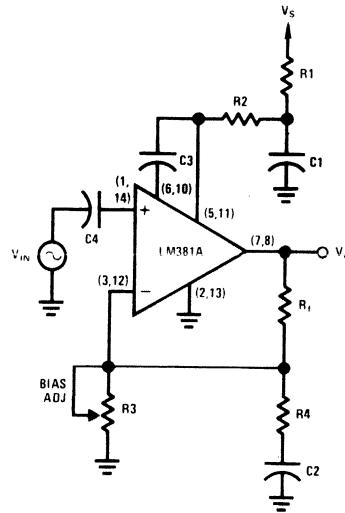


FIGURE 2.7.5 Single Ended Input Configuration with External Biasing Components

Figure 2.7.5 shows the LM381A in the single ended input configuration with the additional biasing components. Capacitor C₃ may be added to limit the amplifier bandwidth to the frequency range of interest, thus eliminating excess noise outside the pertinent bandwidth.

$$C_3 = \frac{1}{2\pi f_1 \left(\frac{0.026}{I_c} \right) 10A/20} - 4 \times 10^{-12} \quad (2.7.12)$$

where: f₁ = high frequency 3dB corner

I_c = Q₁ collector current

A = mid-band gain in dB

Input capacitor C_4 plays an important role in reducing the effect of $1/f$ noise. Noise due to $1/f$ is predominantly a current phenomenon, so making C_4 large presents a small impedance to the $1/f$ current, creating a smaller equivalent noise voltage. A value of $C_4 = 10\mu\text{F}$ has been found adequate.

Example 2.7.1

Design an ultra-low noise preamplifier with a gain of 1,000 operating from a 24 V supply and a 600Ω source impedance. Bandwidth of interest is 20 Hz to 10 kHz.

Solution:

1. From Figure 2.7.3 the optimum collector current for 600Ω source resistance is $170\mu\text{A}$.

2. From Equation (2.7.2),

$$R_1 + R_2 = \frac{V_s - 2.1}{I_c - 18 \times 10^{-6}}$$

$$= \frac{24 - 2.1}{(170 - 18) \times 10^{-6}}$$

$$R_1 + R_2 = 1.44 \times 10^5$$

3. From Equation (2.7.4),

$$R_2 = 3 R_1 = \frac{1.44 \times 10^5}{1.333} = 1.08 \times 10^5$$

$$R_2 \approx 100\text{k}\Omega$$

$$R_1 = 36 \times 10^3 \approx 39\text{k}\Omega$$

4. From Equation (2.7.6),

$$V_E = 0.8 - \left(\frac{170 \times 10^{-6}}{130} \times 250\text{k} \right)$$

$$V_E = 0.47$$

5. From Equation (2.7.8) let $R_3 = 1\text{k}\Omega$. (Use $2.5\text{k}\Omega$ trim-pot and adjust for $V_O = V_s/2$.)

6. From Equation (2.7.9),

$$R_f = \frac{1}{2} \left[\frac{V_s \times 10^7}{V_E (1.1 \times 10^4) - I_c \times 10^7} \right]$$

$$R_f = \frac{1}{2} \left[\frac{24 \times 10^7}{0.47 (1.1 \times 10^4) - 1.7 \times 10^3} \right]$$

$$R_f = 3.46 \times 10^4 \approx 36\text{k}\Omega$$

7. For a gain of 1,000, Equation (2.7.10):

$$\text{Amplifier Gain} = \frac{(R_f + R_4)}{R_4} = 1,000$$

$$R_4 = \frac{36 \times 10^3}{10^3} = 36\Omega$$

8. For a low corner frequency, f_o , of 20 Hz, Equation (2.7.11):

$$C_2 = \frac{1}{2\pi f_o R_4} = \frac{1}{6.28 \times 20 \times 36}$$

$$= 2.21 \times 10^{-4}$$

$$C_2 \approx 200\mu\text{F}$$

9. From Equation (2.7.5) the gain of the input stage is:

$$A_1 = \frac{(2 \times 10^5) R_2}{R_2 + 2 \times 10^5}$$

$$= \frac{0.026}{I_c} + \frac{1}{\frac{1}{10^4} + \frac{1}{R_3} + \frac{1}{R_4}}$$

$$A_1 = \frac{2 \times 10^5 \times 10^5}{10^5 + 2 \times 10^5}$$

$$= \frac{0.026}{1.7 \times 10^{-4}} + \frac{1}{\frac{1}{10^4} + \frac{1}{10^3} + \frac{1}{36}}$$

$$A_1 = 355.$$

10. For 100 dB supply rejection at 120 Hz, Equation (2.7.3):

$$C_1 = \frac{10^{\text{P.S.R./20}}}{2\pi f R_1 A_1} = \frac{10^{100/20}}{2\pi \times 120 \times 39 \times 10^3 \times 355}$$

$$C_1 = \frac{10^5}{1.04 \times 10^{10}} = 9.6 \times 10^{-6}$$

$$C_1 \approx 10\mu\text{F}$$

11. For a high frequency corner, f_1 , of 10 kHz, Equation (2.7.12):

$$C_3 = \frac{1}{2\pi f_1 \left(\frac{0.026}{I_c} \right) 10\text{A}/20} - 4 \times 10^{-12}$$

$$C_3 = \frac{1}{6.28 \times 10^4 \times 1.53 \times 10^2 \times 10^3} - 4 \times 10^{-12}$$

$$C_3 = 1.0 \times 10^{-10} \approx 100\text{pF}$$

The noise performance of the circuit of Figure 2.7.6 can be found with the aid of Figures 2.7.1 and 2.7.2 and Equation (2.7.1). From Figures 2.7.1 and 2.7.2 the noise voltage (e_n) and noise current (i_n) at $170\mu\text{A}$ are: $e_n = 3.0\text{nV}/\sqrt{\text{Hz}}$, $i_n = 0.72\text{pA}/\sqrt{\text{Hz}}$. From Equation (2.7.1):

$$E_T = \sqrt{[e_n^2 + (i_n R_s)^2 + 4KT R_s]} \text{ B.W.}$$

$$= \sqrt{[(3.0 \times 10^{-9})^2 + (7.2 \times 10^{-13} \times 600)^2 + 9.94 \times 10^{-18}] 10^4}$$

$$\text{Total Wideband Noise Voltage} = 4.37 \times 10^{-7}\text{V}$$

$$\text{Wideband Noise Figure} = 10 \log \frac{4KT R_s + e_n^2 + (i_n R_s)^2}{4KT R_s}$$

$$= 10 \log \frac{9.94 \times 10^{-18} + 9.0 \times 10^{-18} + 1.86 \times 10^{-19}}{9.94 \times 10^{-18}}$$

$$= 10 \log 1.92 = 2.83\text{dB}$$

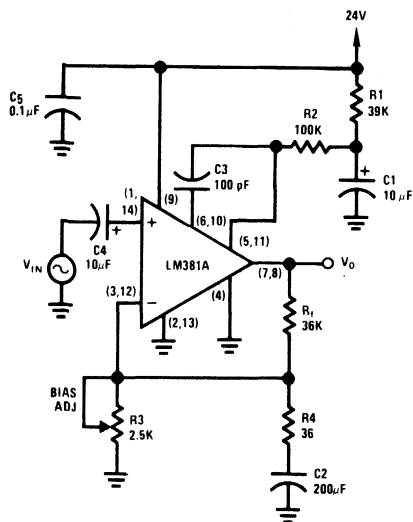
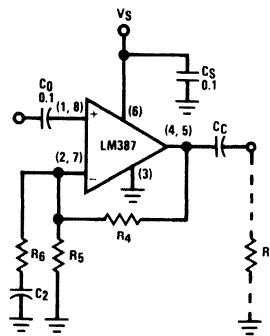


FIGURE 2.7.6 Typical Application with Increased Current Density of Input Stage



$$R_4 = \left(\frac{V_s}{2.6} - 1 \right) R_5$$

$$R_5 = 240\text{k}\Omega \text{ MAXIMUM}$$

$$A_{VAC} = 1 + \frac{R_4}{R_6}$$

$$C_2 = \frac{1}{2\pi f_0 R_6}$$

$$C_c = \frac{1}{2\pi f_0 R_L}$$

$$f_0 = \text{LOW FREQUENCY } -3\text{dB CORNER}$$

FIGURE 2.8.1 LM387 Non-inverting AC Amplifier

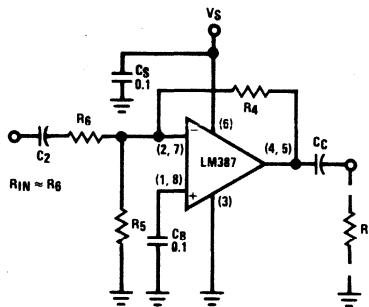
2.8 LM387/387A LOW NOISE MINIDIP DUAL PRE-AMPLIFIER

2.8.1 Introduction

The LM387 is a low cost, dual preamplifier supplied in the popular 8 lead minidip package. The internal circuitry is identical to the LM381 and has comparable performance. By omitting the external compensation and single ended biasing pins it has been possible to package this dual amplifier into the 8 pin minidip, making for very little board space requirement. Like the LM381, this preamplifier is 100% noise tested and guaranteed, when purchased through authorized distributors. Total equivalent input noise is typically $0.65\mu\text{VRMS}$ ($R_s = 600\Omega$, 100 Hz-10 kHz) and supply rejection ratio is typically 110dB ($f = 1\text{kHz}$). All other parameters are identical to the LM381. Biasing, compensation and split-supply operation are as previously explained.

2.8.2 Non-Inverting AC Amplifier

For low level signal applications requiring optimum noise performance the non-inverting configuration remains the most popular. The LM387 used as a non-inverting AC amplifier is configured similar to the LM381 and has the same design equations. Figure 2.8.1 shows the circuit with the equations duplicated for convenience.



$$R_4 = \left(\frac{V_s}{2.6} - 1 \right) R_5$$

$$R_5 = 240\text{k}\Omega \text{ MAXIMUM}$$

$$A_{VAC} = -\frac{R_4}{R_6}$$

$$C_2 = \frac{1}{2\pi f_0 R_6}$$

$$C_c = \frac{1}{2\pi f_0 R_L}$$

$$f_0 = \text{LOW FREQUENCY } -3\text{dB CORNER}$$

FIGURE 2.8.2 LM387 Inverting AC Amplifier

2.8.3 Inverting AC Amplifier

For high level signals (greater than 300mV), the inverting configuration may be used to overcome the positive input overload limit. Voltage gains of less than 20dB are possible with the inverting configuration since the DC biasing resistor R_5 acts to voltage divide the incoming signal as previously described for the LM381. Design equations are the same as for the LM381 and are duplicated along with the inverting circuit in Figure 2.8.2.

2.8.4 Unity Gain Inverting Amplifier

The requirement for unity gain stability is that the gain of the amplifier from pin 2 (or 7) to pin 4 (or 5) must be at least ten at all frequencies. This gain is the ratio of the feedback resistor R_4 divided by the total net impedance seen by the inverting input with respect to ground. The assumption is made that the driving, or source, impedance is small and may be neglected. In Figure 2.8.2 the net impedance looking back from the inverting input is $R_5 \parallel R_6$.

at high frequencies. (At low frequencies where loop gain is large the impedance at the inverting input is very small and R_5 is effectively not present; at higher frequencies loop gain decreases, causing the inverting impedance to rise to the limit set by R_5 . At these frequencies R_5 acts as a voltage divider for the input voltage guaranteeing amplifier gain of 10 when properly selected.) If the ratio of R_4 divided by $R_5 \parallel R_6$ is at least ten, then stability is assured. Since R_4 is typically ten times R_5 (for large supply voltages) and R_6 equals R_4 (for unity gain), then the circuit is stable without additional components. For low voltage applications where the ratio of R_4 to R_5 is less than ten, it becomes necessary to parallel R_5 with a series R-C network so the ratio at high frequencies satisfies the gain requirement. Figure 2.8.3 shows such an arrangement with the constraints on R_7 being given by Equations (2.8.1)-(2.8.3).

$$A_V \text{ (pin 2 to 4)} = - \frac{R_4}{R_5 \parallel R_6 \parallel R_7} \geq 10 \quad (2.8.1)$$

$$R_Y = R_5 \parallel R_6 \quad (2.8.2)$$

$$R_7 \leq \frac{R_Y R_4}{10 R_Y - R_4} \quad (2.8.3)$$

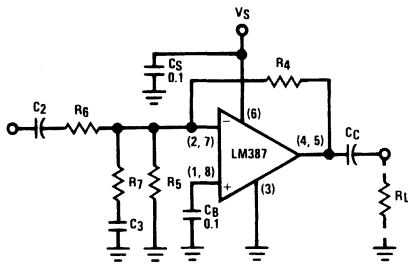


FIGURE 2.8.3 Unity Gain Amplifier for Low Supply Voltage

Example 2.8.1

Design a low noise unity gain inverting amplifier to operate from $V_S = 12V$, with low frequency capabilities to 20Hz, input impedance equal to 20k Ω , and a load impedance of 100k Ω .

Solution:

- $R_{in} = R_6 = 20k\Omega$.
- For unity gain $R_4 = R_6$, $R_4 = 20k$.
- From Figure 2.8.2:

$$R_4 = \left(\frac{V_S}{2.6} - 1 \right) R_5 = \left(\frac{12}{2.6} - 1 \right) R_5$$

$$R_4 = 3.62 R_5$$

Therefore:

$$R_5 = \frac{R_4}{3.62} = \frac{20k}{3.62} = 5,525\Omega$$

Use $R_5 = 5.6k$.

- From Equation (2.8.2):

$$R_Y = R_5 \parallel R_6 = \frac{5.6k \times 20k}{5.6k + 20k} = 4,375$$

- From Equation (2.8.3):

$$R_7 \leq \frac{R_Y R_4}{10 R_Y - R_4} = \frac{4375 \times 20 \times 10^3}{10 \times 4375 - (20 \times 10^3)} = 3684$$

Use $R_7 = 3.6k$

- For $f_o = 20Hz$,

$$C_2 = \frac{1}{2\pi f_o R_6} = \frac{1}{2\pi \times 20 \times 20k} = 3.98 \times 10^{-7}$$

Use $C_2 = 0.5\mu F$.

$$C_c = \frac{1}{2\pi f_o R_L} = \frac{1}{2\pi \times 20 \times 100k} = 7.95 \times 10^{-8}$$

Use $C_c = 0.1\mu F$.

- The selection of C_3 is somewhat arbitrary, as its effect is only necessary at high frequencies. A convenient frequency for calculation purposes is 20kHz.

$$C_3 = \frac{1}{2\pi (20kHz) R_7} = \frac{1}{2\pi \times 20k \times 3.6k} = 2.21 \times 10^{-9}$$

Use $C_3 = 0.0022\mu F$.

2.8.5 Application to Feedback Tone Controls

One of the most common audio circuits requiring unity gain stability is active tone controls. Complete design details are given in Section 2.14. An example of modified Baxandall tone controls using an LM387 appears as Figure 2.14.10 and should be consulted as an application of the stabilizing methods discussed in Section 2.8.4.

2.9 LM382 LOW NOISE DUAL PREAMPLIFIER WITH RESISTOR MATRIX

2.9.1 Introduction

The LM382 is a dual preamplifier patterned after the LM381 low noise circuitry but with the addition of an internal resistor matrix. The resistor matrix allows the user to select a variety of closed loop gain options and frequency response characteristics such as flat-band, NAB (tape), or RIAA (phonograph) equalization. The LM382 possesses all of the features of the LM381 with two exceptions: no single ended input biasing option and no external pins for adding additional compensation capacitance. The internal resistors provide for biasing of the negative input automatically, so no external resistors are necessary and use of the LM382 creates the lowest parts count possible for standard designs. Originally developed for the automotive tape player market with a nominal supply voltage of +12V, the output is self queuing to about +6V (regardless of applied voltage — but this can be defeated, as will be discussed later). A diagram of the LM382 showing the resistor matrix appears as Figure 2.9.1.

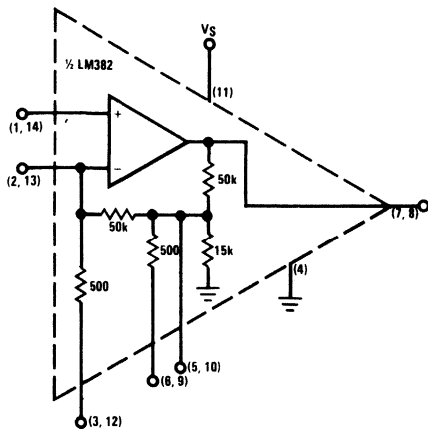


FIGURE 2.9.1 LM382 Resistor Matrix

2.9.2 Non-Inverting AC Amplifier

The fixed-gain flat-response configuration of the LM382 (Figure 2.9.2) shows that with just two or three capacitors a complete high gain, low noise preamplifier is created.

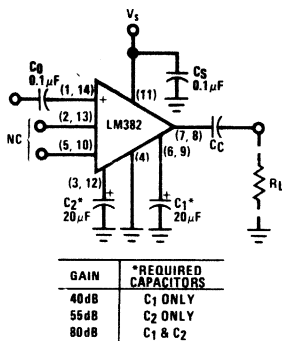


FIGURE 2.9.2 LM382 as Fixed Gain-Flat Response Non-inverting Amplifier

To understand how the gains of Figure 2.9.2 are calculated it is necessary to redraw each case with the capacitors short-circuited and include only the relevant portion of the resistor network per Figure 2.9.1. The redrawn 40dB gain configuration (C₁ only) appears as Figure 2.9.3.

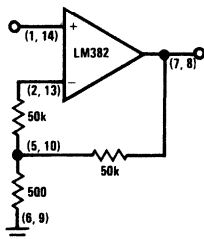


FIGURE 2.9.3 Equivalent Circuit for 40 dB Gain (C₁ Only)

Since bias currents are small and may be ignored in gain calculations, the 50k input resistor does not affect gain. Therefore, the gain is given by:

$$A_{V1} = 1 + \frac{50k}{500} = 101 \approx 40dB$$

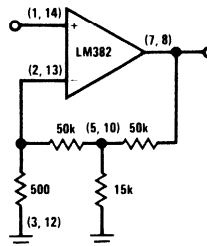


FIGURE 2.9.4 Equivalent Circuit for 55 dB Gain (C₂ Only)

With C₂ only, the redrawn equivalent circuit looks like Figure 2.9.4. Since the feedback network is wye-connected, it is easiest to perform a wye-delta transformation (see Appendix A3) in order to find an effective feedback resistor so the gain may be calculated. A complete transformation produces three equivalent resistors, two of which may be ignored. These are the ones that connect from the ends of each 50kΩ resistor to ground; one acts as a load on the amplifier and doesn't enter into the gain calculations, and the other parallels 500Ω and is large enough to have no effect. The remaining transformed resistor connects directly from the output to the input and is the equivalent feedback resistor, R_f. Its value is found from:

$$R_f \text{ (equivalent)} = 50k + 50k + \frac{(50k)^2}{15k} = 267k$$

The gain is now simply

$$A_{V2} = 1 + \frac{267k}{500} = 535 \approx 55dB$$

Adding both C₁ and C₂ gives the equivalent circuit of Figure 2.9.5.

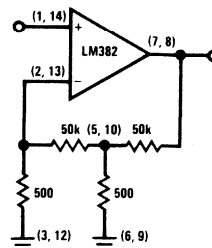


FIGURE 2.9.5 Equivalent Circuit for 80 dB Gain (C₁ and C₂)

Treating Figure 2.9.5 similarly to Figure 2.9.4, an equivalent feedback resistor is calculated:

$$R_f (\text{equivalent}) = 50k + 50k + \frac{(50k)^2}{500} = 5.1 \text{ Meg}$$

Therefore, the gain is:

$$A_{v12} = 1 + \frac{5.1 \text{ Meg}}{500} = 10201 \approx 80 \text{ dB.}$$

2.9.3 Adjustable Gain for Non-Inverting Case

As can be learned from the preceding paragraphs, there are many combinations of ways to configure the resistor matrix. By adding a resistor in series with the capacitors it is possible to vary the gain. Care must be taken in attempting low gains (< 20dB), as the LM382 is not unity gain stable and should not be operated below gains of 20dB. (Under certain specialized applications unity gain is possible, as will be demonstrated later.) A general circuit allowing adjustable gain and requiring only one capacitor appears as Figure 2.9.6.

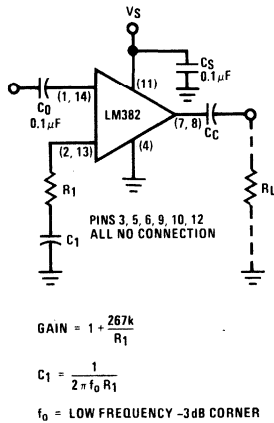


FIGURE 2.9.6 Adjustable Gain Non-inverting Amplifier

Referring to Figure 2.9.1, it is seen that the R_1 - C_1 combination is used instead of the internal 500Ω resistor and that the remaining pins are left unconnected. The equivalent resistance of the $50k$ - $50k$ - $15k$ wye feedback network was found previously to equal $267k\Omega$, so the gain is now given by Equation (2.9.1).

$$\text{Gain} = 1 + \frac{267k}{R_1} \quad (2.9.1)$$

And C_1 is found from Equation (2.9.2):

$$C_1 = \frac{1}{2\pi f_0 R_1} \quad (2.9.2)$$

where: f_0 = low frequency -3dB corner.

2.9.4 Internal Bias Override

As mentioned in the introduction, it is possible to override the internal bias resistor which causes the output quiescent point to sit at $+6\text{V}$ regardless of applied voltage. This is

done by adding a resistor at pin 5 (or 10) which parallels the internal $15k\Omega$ resistor and defeats its effect (Figure 2.9.7).

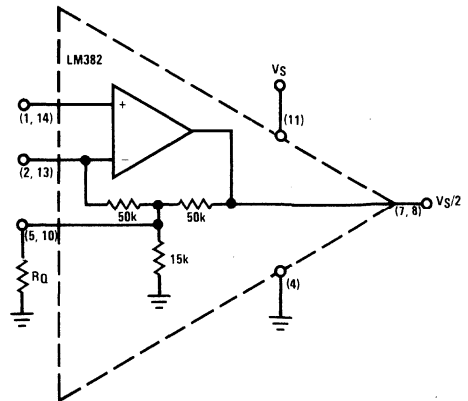


FIGURE 2.9.7 Internal Bias Override Resistor

Since the positive input is biased internally to a potential of $+1.3\text{V}$ (see circuit description for LM381), it is necessary that the DC potential at the negative input equal $+1.3\text{V}$ also. Because bias current is small ($0.5\mu\text{A}$), the voltage drop across the $50k$ resistor may be ignored, which says there is $+1.3\text{V}$ across R_Q . The current developed by this potential across R_Q is drawn from the output stage, through the $50k$ resistor, through R_Q and to ground. The subsequent voltage drop across the $50k$ resistor is additive to the $+1.3\text{V}$ and determines the output DC level. Stated mathematically,

$$\frac{V_s}{2} = \left(\frac{50k}{RX} \right) 1.3\text{V} + 1.3\text{V} \quad (2.9.3)$$

where: $RX = R_Q || 15k$

From Equation (2.9.3) the relationships of RX and R_Q may be expressed.

$$RX = \frac{50k}{\frac{V_s}{2.6} - 1} \quad (2.9.4)$$

$$R_Q = \frac{RX (15k)}{15k - RX} \quad (2.9.5)$$

Example 2.9.1

Select R_Q such that the output of a LM382 will center at 12V_{DC} when operated from a supply of $V_s = 24\text{V}_{DC}$.

Solution

1. Calculate RX from Equation (2.9.4).

$$RX = \frac{50 \times 10^3}{\frac{24}{2.6} - 1} = 6075\Omega$$

2. Calculate R_Q from Equation (2.9.5).

$$R_Q = \frac{(6075)(15 \times 10^3)}{(15 \times 10^3) - 6075} = 10210\Omega$$

Use $R_Q = 10k\Omega$.

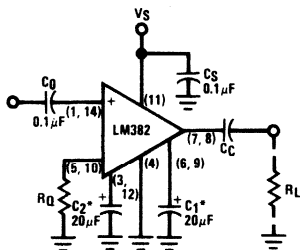
Since R_Q parallels the 15k resistor, then the AC gains due to the addition of capacitor C_1 or C_2 (or both) (as given in Figure 2.9.2) are changed. The new gain equations become a function of R_Q and are given as Equations (2.9.6)-(2.9.8) and refer to Figure 2.9.8.

$$C_1 \text{ Only: Gain} \approx 1 + \frac{50k}{R_Q || 500} \quad (2.9.6)$$

$$C_2 \text{ Only: Gain} = 201 + \frac{5 \times 10^6}{R_X} \quad (2.9.7)$$

$$C_1 \ \& \ C_2: \text{Gain} \approx 201 + \frac{5 \times 10^6}{R_Q || 500} \quad (2.9.8)$$

where: R_X and R_Q are given by Equations (2.9.4) and (2.9.5).



* - IF REQUIRED
PINS 2 & 13 NO CONNECTION

FIGURE 2.9.8 Fixed Gain Amplifier with Internal Bias Override

Continuing the previous example to find the effect of R_Q on the gain yields:

$$3. \ C_1 \text{ Only: Gain} = 1 + \frac{50k}{10k || 500} = 53.6 \text{ dB}$$

$$4. \ C_2 \text{ Only: Gain} = 201 + \frac{5 \times 10^6}{6075} = 60.2 \text{ dB}$$

$$5. \ C_1 \ \& \ C_2: \text{Gain} = 201 + \frac{5 \times 10^6}{10k || 500} = 80.6 \text{ dB}$$

2.9.5 Inverting AC Amplifier

Examination of the resistor matrix (Figure 2.9.1) reveals that an inverting AC amplifier can be created with just one resistor (Figure 2.9.9).

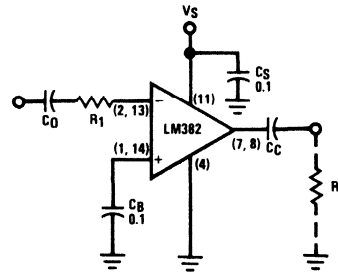
The gain is found by calculating the equivalent feedback resistance as before, and appears in Figure 2.9.9. Higher gains are possible (while retaining large input resistance = R_1) by adding capacitor C_1 as shown in Figure 2.9.10.

The internal bias override technique discussed for the non-inverting configuration may be applied to the inverting case as well. The required value of R_Q is calculated from Equations (2.9.4) and (2.9.5) and affects the gain relation shown in Figures 2.9.9 and 2.9.10. The new gain equations are:

$$\text{Without } C_1: \text{Gain} = \left(-\frac{1}{R_1}\right) \left(10^5 + \frac{2.5 \times 10^9}{R_Q || 15k}\right) \quad (2.9.9)$$

$$\text{With } C_1: \text{Gain} = \left(-\frac{1}{R_1}\right) \left(10^5 + \frac{2.5 \times 10^9}{R_Q || 500}\right) \quad (2.9.10)$$

and the circuit is shown in Figure 2.9.11.



$$\text{GAIN} = -\frac{267k}{R_1} \quad (> 20 \text{ dB FOR STABILITY})$$

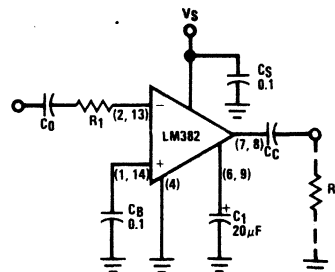
$$C_0 = \frac{1}{2 \times f_0 R_1}$$

f_0 = LOW FREQUENCY -3dB CORNER

INPUT IMPEDANCE = R_1

PINS 3, 5, 6, 9, 10, 12 NOT USED

FIGURE 2.9.9 LM382 as Inverting AC Amplifier



$$\text{GAIN} = -\frac{5.1 \times 10^6}{R_1}$$

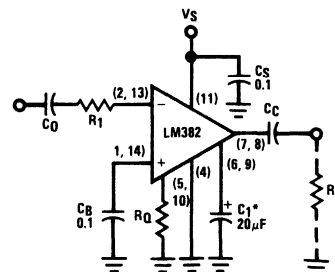
$$C_0 = \frac{1}{2 \times f_0 R_1}$$

f_0 = LOW FREQUENCY -3dB CORNER

INPUT IMPEDANCE = R_1

PINS 3, 5, 10, 12 NOT USED

FIGURE 2.9.10 High Gain Inverting AC Amplifier



* - IF REQUIRED
PINS 3 & 12 NOT USED

FIGURE 2.9.11 Inverting Amplifier with Internal Bias Override

Example 2.9.2

Design an inverting amplifier to operate from a supply of $V_S = 24\text{V}_{DC}$, with output quiescent point equal to 12V_{DC} , gain equal to 40dB, input impedance greater than $10\text{k}\Omega$, low frequency performance flat to 20Hz, and a load impedance equal to $100\text{k}\Omega$.

1. From the previous example $R_Q = 10\text{k}\Omega$.
2. Add C_1 for high gain and input impedance.
3. Calculate R_1 from Equation (2.9.10).

$$R_1 = \left(\frac{1}{\text{Gain}} \right) \left(10^5 + \frac{2.5 \times 10^9}{R_Q || 500} \right)$$

$$R_1 = \left(\frac{1}{10^2} \right) \left(10^5 + \frac{2.5 \times 10^9}{10\text{k} || 500} \right) \quad (\text{Note: } 40\text{dB} = 10^2\text{V/V})$$

$$R_1 = 5.35 \times 10^4$$

Use $R_1 = 56\text{k}\Omega$.

4. Calculate C_O from equation shown in Figure 2.9.9.

$$C_O = \frac{1}{2\pi f_o R_1} = \frac{1}{(2\pi)(20)(56\text{k})} = 1.42 \times 10^{-7}$$

Use $C_O = 0.15\mu\text{F}$.

5. Calculate C_C from Equation (2.6.12).

$$C_C = \frac{1}{2\pi f_o R_1} = \frac{1}{(2\pi)(20)(10^5)} = 7.96 \times 10^{-8}$$

Use $C_C = 0.1\mu\text{F}$.

The complete amplifier is shown in Figure 2.9.12.

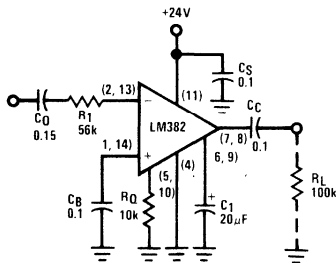
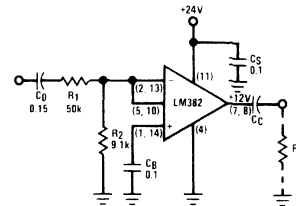


FIGURE 2.9.12 Inverting Amplifier with Gain = 40 dB and $V_S = +24\text{V}$

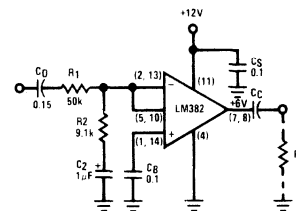
2.9.6 Unity Gain Inverting Amplifier

Referring back to Figure 2.9.1, it can be seen that by shorting pin 2 (or 13) to 5 (or 10) the feedback network reduces to a single $50\text{k}\Omega$ resistor connected from the output to the inverting input, plus the $15\text{k}\Omega$ biasing resistor from the inverting input to ground. To create unity gain then, a resistor equal to $50\text{k}\Omega$ is connected to the minus input. Simple enough; however, the amplifier is not stable. Since the 15k resistor acts as a voltage divider to the input, the gain of the amplifier (pin 7 to pin 2) is only 50k divided by 15k , or 3.33V/V . Minimum required gain for stability is 10V/V , so it becomes necessary to shunt the 15k resistor with a new resistor such that the parallel combination equals $5\text{k}\Omega$. This may be done AC or DC,

depending upon supply voltage. If done DC (tied from pin 2 (or 13) directly to ground), then it becomes R_Q (from Figure 2.9.7) and affects the output DC level. Placing a capacitor in series with this resistor makes it effective only for AC voltages and does not change the output level. The required resistor equals $9.1\text{k}\Omega$, which is close enough to the required R_Q for $V_S = 24\text{V}$. Two examples of unity gain amplifiers appear as Figure 2.9.13 and should satisfy the majority of applications.



(a) Supply Voltage = 24 Volts



(b) Supply Voltage = 12 Volts

FIGURE 2.9.13 Unity Gain Inverting Amplifier

2.9.7 Remarks

The above application hints are not meant to be all-inclusive, but rather are offered as an aid to LM382 users to familiarize them with its many possibilities. Once understood, the internal resistor matrix allows for many possible configurations, only a few of which have been described in this section.

2.10 LM1303 STEREO PREAMPLIFIER

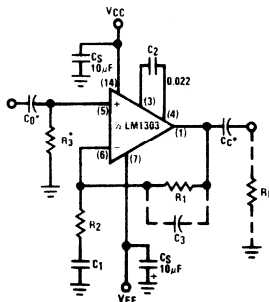
2.10.1 Introduction

The LM1303 is a dual preamplifier designed to be operated from split supplies ranging from $\pm 4.5\text{V}$ up to $\pm 15\text{V}$. It has "op amp" type inputs allowing large input signals with low distortion performance. The wideband noise performance is superior to traditional operational amplifiers, being typically 0.9V_{RMS} (10kHz bandwidth). Compensation is done externally and offers the user a variety of choices, since three compensation points are brought out for each amplifier. The LM1303 is pin-for-pin compatible with "739" type dual preamplifiers and in most applications serves as a direct replacement.

2.10.2 Non-Inverting AC Amplifier

The LM1303 used as a non-inverting amplifier (Figure 2.10.1) with split supplies allows for economical direct-coupled designs if the DC levels between stages are maintained at zero volts. Gain and C_1 equations are shown in the figure. Resistor R_3 is made equal to R_1 and provides DC bias currents to the positive input. Compensation capacitor C_2 is equal to $0.022\mu\text{F}$ and guarantees unity gain stability with a slew rate of approximately $1\text{V}/\mu\text{s}$. Higher slew rates are possible when higher gains are used by reducing C_2 proportionally to the increase in gain, e.g., with a gain of ten, C_2 can equal $0.0022\mu\text{F}$, increasing the slew rate to around $10\text{V}/\mu\text{s}$. Some layouts may dictate the addition of C_3 for added stability. It should be picked according to equation (2.10.1) where f_H is the high frequency -3dB corner.

$$C_3 = \frac{1}{2\pi f_H R_1} \quad (2.10.1)$$



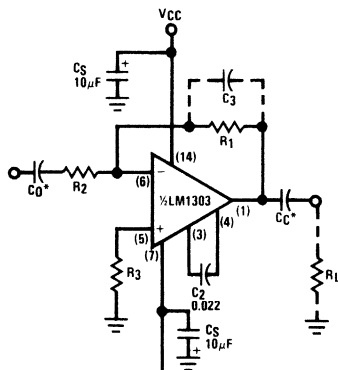
$$A_{VAC} = 1 + \frac{R_1}{R_2}$$

$$C_1 = \frac{1}{2\pi f_0 R_2}$$

f_0 = LOW FREQUENCY -3dB CORNER

* - MAY BE OMITTED FOR DIRECT-COUPLED DESIGNS.

FIGURE 2.10.1 LM1303 Non-inverting AC Amplifier



$$A_{VAC} = -\frac{R_1}{R_2}$$

$$C_0 = \frac{1}{2\pi f_0 R_2}$$

f_0 = LOW FREQUENCY -3dB CORNER

* - MAY BE OMITTED FOR DIRECT-COUPLED DESIGNS.

FIGURE 2.10.2 LM1303 Inverting AC Amplifier

2.10.3 Inverting AC Amplifier

For applications requiring inverting operation, Figure 2.10.2 should be used. Capacitors C_2 and C_3 have the same considerations as the non-inverting case. Resistor R_3 is made equal to R_1 again, minimizing offsets and providing bias current. The same slew rate-gain stability trade-offs are possible as before.

2.11 PHONO PREAMPLIFIERS AND RIAA EQUALIZATION

2.11.1 Introduction

Phono preamplifiers differ from other preamplifiers only in their frequency response, which is tailored in a special manner to compensate, or equalize, for the recorded characteristic. If a fixed amplitude input signal is used to record a phonograph disc, while the frequency of the signal is varied from 20Hz to 20kHz, the playback response curve of Figure 2.11.1 will result. Figure 2.11.1 shows a plot of phono cartridge output amplitude versus frequency, indicating a severe alteration to the applied fixed amplitude signal. *Playback equalization* corrects for this alteration and recreates the applied flat amplitude frequency response. To understand why Figure 2.11.1 appears as it does, an explanation of the recording process is necessary.

2.11.2 Recording Process and RIAA

The grooves in a stereo phonograph disc are cut by a chisel shaped cutting stylus driven by two vibrating systems arranged at right angles to each other (Figure 2.11.2). The cutting stylus vibrates mechanically from side to side in accordance with the signal impressed on the cutter. This is termed a "lateral cut" as opposed to the older method of "vertical cut." The resultant movement of the groove back and forth about its center is known as groove modulation. The amplitude of this modulation cannot exceed a fixed amount or "crossover" occurs. (Crossover, or overmodulation, describes the breaking through the wall of one groove into the wall of the previous groove.) The ratio of the maximum groove amplitude possible before crossover, to the minimum amplitude allowed for acceptable signal-to-noise performance (typically 58dB), determines the dynamic range of a record (typically 32-40dB). The latter requirement results from the grainy characteristic of the disc surface acting as a noise generator. (The cutting stylus is heated in recording to impart a smooth side wall to minimize the noise.) Of interest in phono preamp design is that the record noise performance tends to be ten times worse than that of the preamp, with typical wideband levels equal to $10\mu\text{V}$.

Amplitude and frequency characterize an audio signal. Both must be recorded and recovered accurately for high quality music reproduction. Audio amplitude information translates to groove modulation amplitude, while the frequency of the audio signal appears as the rate of change of the groove modulations. Sounds simple enough, but Figure 2.11.1 should, therefore, be a horizontal straight line centered on 0dB, since it represents a fixed amplitude input signal. The trouble results from the characteristics of the cutting head. Without the negative feedback coils (Figure 2.11.2) the velocity frequency response has a resonant peak at 700Hz due to its construction. Adding the feedback coils produces a velocity output independent of frequency; therefore, the cutting head is known as a constant velocity device (Figure 2.11.2a).

Figure 2.11.1 appears as it does because the cutting amplifier is pre-equalized to provide the recording character-

2

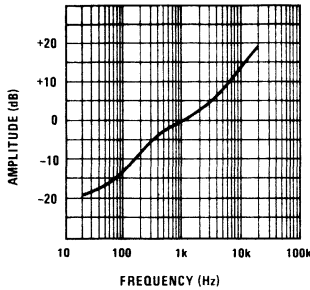


FIGURE 2.11.1 Typical Phono Playback Characteristic for a Fixed Amplitude Recorded Signal

istic shown. Two reasons account for the shape: first, low frequency attenuation prevents cutover; second, high frequency boosting improves signal-to-noise ratio. The unanswered question is why is all this necessary?

The not-so-simple answer begins with the driving coils of the cutting head. Being primarily inductive, their impedance characteristic is frequency dependent. If a fixed amplitude input signal translates to a fixed voltage used to drive the coils (called "constant amplitude") then the resulting current, i.e., magnetic field, hence rate of change of vibration, becomes frequency dependent (Figure 2.11.2b); if a fixed amplitude input signal translates to a fixed current, i.e., fixed rate of vibration, used to drive the coils (called "constant velocity") then the resulting voltage, i.e., cutting amplitude, becomes frequency dependent (Figure 2.11.2a). With respect to frequency, for a given input amplitude the cutting head has only one degree of freedom: vibrating *rate* (constant velocity = current drive) or vibrating *distance* (constant amplitude = voltage drive).

The terms constant velocity and constant amplitude create confusion until it is understood that they have meaning only for a *fixed amplitude input signal*, and are used strictly to describe the resultant behavior of the cutting head as a *function of frequency*. It is to be understood that changing the *input* level results in an *amplitude* change for constant velocity recording *independent* of frequency. For example,

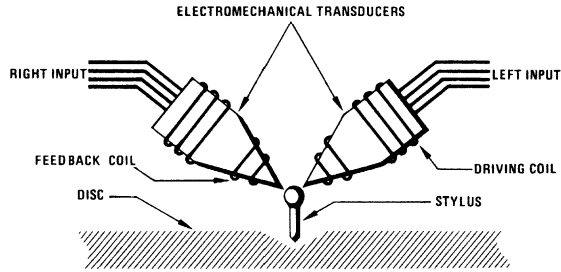


FIGURE 2.11.2 Stereo Cutting Head

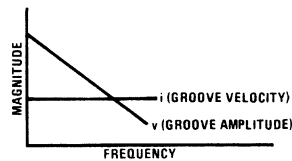
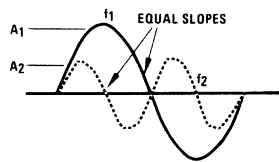


FIGURE 2.11.2A Constant Velocity Recording

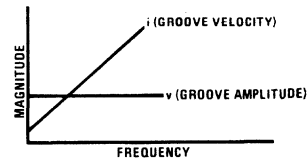
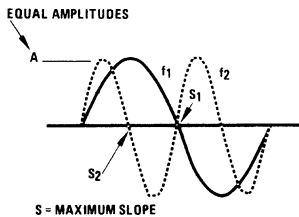


FIGURE 2.11.2B Constant Amplitude Recording

if an input level of 10mV results in 0.1 mil amplitude change for constant amplitude recording and a velocity of 5cm/s for constant velocity recording, then a change of input level to 20mV would result in 0.2 mil and 10cm/sec respectively – independent of frequency.

Each of these techniques when used to drive the vibrating mechanism suffers from dynamic range problems. Figures 2.11.2a and 2.11.2b diagram each case for two frequencies an octave apart. The discussion that follows assumes a fixed amplitude input signal and considers only the effect of frequency change on the cutting mechanism.

Constant velocity recording (Figure 2.11.2a) displays two readily observable characteristics. The amplitude varies inversely with frequency and the maximum slope is constant with frequency. The second characteristic is ideal since magnetic pickups (the most common type) are constant velocity devices. They consist of an active generator such as a magnetic element moving in a coil (or vice versa) with the output being proportional to the speed of movement through the magnetic field, i.e., proportional to groove velocity. However, the variable amplitude creates serious problems at both frequency extremes. For the ten octaves existing between 20Hz and 20kHz, the variation in amplitude is 1024 to 1! If 1kHz is taken as a reference point to establish nominal cutter amplitude modulation, then at low frequencies the amplitudes are so great that cutover occurs. At high frequencies the amplitude becomes so small that acceptable signal-to-noise ratios are not possible – indeed, if any displacement exists at all. So much for constant velocity.

Looking at Figure 2.11.2b, two new observations are seen with regard to constant amplitude. Amplitude is constant with frequency (which corrects most of the ills of constant velocity), but the maximum slope varies directly with frequency, i.e., groove velocity is directly proportional to frequency. So now velocity varies 1024 to 1 over the audio band – swell! Recall that magnetic cartridges are constant velocity devices, not constant amplitude, so the output will rise at the rate of +6dB/octave. (6dB increase equals twice the amplitude.) To equalize such a system would require 60dB of headroom in the preamp – not too practical. The solution is to try to get the best of both systems, which results in a modified constant amplitude curve where the midband region is allowed to operate constant velocity.

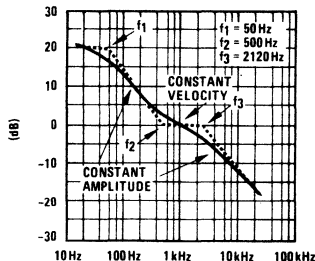


FIGURE 2.11.3 RIAA Playback Equalization

The required RIAA (Record Industry Association of America) playback equalization curve (Figure 2.11.3) shows the idealized case dotted and the actual realization drawn solid. Three frequencies are noted as standard design

reference points and are sometimes referred to as time constants. This is a carryover from the practice of specifying corner frequencies by the equivalent RC circuit ($t = RC$) that realized the response. Conversion is done simply with the expression $t = 1/2\pi f$ and results in time constants of 3180 μ s for f_1 , 318 μ s for f_2 , and 75 μ s for f_3 . Frequency f_2 is referred to as the *turnover* frequency since this is the point where the system changes from constant amplitude to constant velocity. (Likewise, f_3 is another turnover frequency.) Table 2.11.1 is included as a convenience in checking phono preamp RIAA response.

TABLE 2.11.1 RIAA Standard Response

Hz	dB	Hz	dB
20	+19.3	800	+0.7
30	+18.6	1k	0.0*
40	+17.8	1.5k	-1.4
50	+17.0	2k	-2.6
60	+16.1	3k	-4.8
80	+14.5	4k	-6.6
100	+13.1	5k	-8.2
150	+10.3	6k	-9.6
200	+8.2	8k	-11.9
300	+5.5	10k	-13.7
400	+3.8	15k	-17.2
500	+2.6	20k	-19.6

* Reference frequency.

2.11.3 Ceramic and Crystal Cartridges

Before getting into the details of designing RIAA feedback networks for magnetic phono cartridges, a few words about crystal and ceramic cartridges are appropriate. In contradistinction to the constant velocity magnetic pickups, ceramic pickups are constant amplitude devices and therefore do not require equalization, since their output is inherently flat. Referring to Figure 2.11.3 indicates that the last sentence is not entirely true. Since the region between f_2 and f_3 is constant velocity, the output of a ceramic device will drop 12dB between 500Hz and 2000Hz. While this appears to be a serious problem, in reality it is not. This is true due to the inherently poor frequency response of ceramic and restriction of its use to lo-fi and mid-fi market places. Since the output levels are so large (100mV-2V), a preamp is not necessary for ceramic pickups; the output is fed directly to the power amplifier via passive tone (if used) and volume controls.

2.11.4 LM387 or LM381 Phono Preamp

Magnetic cartridges have very low output levels and require low noise devices to amplify their signals without appreciably degrading the system noise performance. With low noise integrated circuits like the LM387 or LM381, the dominant noise source becomes the cartridge and loading resistor and *not* the active device (see Appendix A5).

Typical cartridge output levels are given in Table 2.11.2.

Output voltage is specified for a given modulation velocity. The magnetic pickup is a velocity device, therefore output is proportional to velocity. For example, a cartridge producing 5mV at 5cm/s will produce 1mV at 1cm/s and is specified as having a sensitivity of 1mV/cm/s.

In order to transform cartridge sensitivity into useful preamp design information, we need to know typical and maximum modulation velocity limits of stereo records.

TABLE 2.11.2

Manufacturer	Model	Output at 5 cm/sec
Empire Scientific	999	5mV
	888	8mV
Shure	V-15	3.5mV
	M91	5mV
Pickering	V-15 AT3	5mV

The RIAA recording characteristic establishes a maximum recording velocity of 25cm/s in the range of 800 to 2500 Hz. Typically, good quality records are recorded at a velocity of 3 to 5cm/s.

Figure 2.11.3 shows the RIAA playback equalization. This response is obtained with the circuit of Figure 2.11.4.

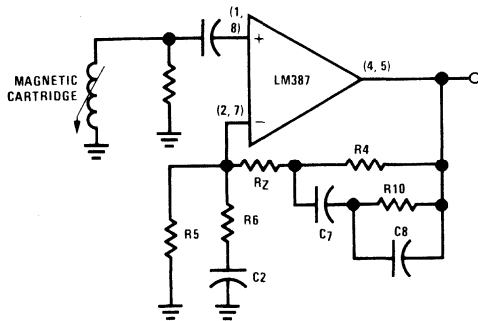


FIGURE 2.11.4 RIAA Phono Preamp

Resistors R_4 and R_5 set the DC bias (Section 2.6). The 0dB reference gain is set by the ratio:

$$\text{0dB Ref Gain} = \frac{R_{10} + R_6}{R_6} \quad (2.11.1)$$

The corner frequency, f_1 (Figure 2.11.3), is established where $X_{C7} = R_4$ or:

$$C_7 = \frac{1}{2\pi f_1 R_4} \quad (2.11.2)$$

Likewise, frequency f_2 occurs where $X_{C7} = R_{10}$ or:

$$C_7 = \frac{1}{2\pi f_2 R_{10}} \quad (2.11.3)$$

The third corner frequency, f_3 , is determined where $X_{C8} = R_{10}$:

$$C_8 = \frac{1}{2\pi f_3 R_{10}} \quad (2.11.4)$$

Resistor R_Z is used to insert a zero in the feedback loop since the LM381 is not compensated for unity gain. Either R_Z is required to provide a zero at or above a gain of 20dB ($R_Z = 10R_6$), or external compensation is provided for unity gain stability.

Example 2.11.1

Design a phonograph preamp operating from a 30V supply, with a cartridge of 0.5mV/cm/s sensitivity, to drive a power amplifier of 5VRMS input overload limit.

Solution

- From Equation (2.6.3) let $R_5 = 100\text{k}\Omega$.
- From Equation (2.6.4):

$$R_4 = \left(\frac{V_{CC}}{2.6} - 1 \right) R_5$$

$$= \left(\frac{30}{2.6} - 1 \right) 10^5$$

$$R_4 = 10.5 \times 10^5 \approx 1.0\text{M}\Omega$$

- Equation (2.11.2):

$$C_7 = \frac{1}{2\pi f_1 R_4}$$

$$= \frac{1}{6.28 \times 50 \times 1.0 \times 10^6}$$

$$= 3.18 \times 10^{-9}$$

$$C_7 \approx 0.003\mu\text{F}$$

- Equation (2.11.3):

$$C_7 = \frac{1}{2\pi f_2 R_{10}}$$

$$R_{10} = \frac{1}{6.28 \times 500 \times 3 \times 10^{-9}}$$

$$= 1.06 \times 10^5$$

$$R_{10} \approx 100\text{k}\Omega.$$

- The maximum cartridge output at 25cm/s is $(0.5\text{mV/cm/s}) \times (25\text{cm/s}) = 12.5\text{mV}$. The required mid-band gain is therefore:

$$\frac{5\text{VRMS}}{12.5\text{mVRMS}} = 400$$

- Equation (2.11.1):

$$\text{0dB Ref Gain} = \frac{R_{10} + R_6}{R_6} = 400$$

$$R_6 = \frac{100\text{k}}{399} = 251 \approx 240\Omega$$

$$R_Z = 10R_6 = 2400\Omega$$

- Equation (2.6.10):

$$C_2 = \frac{1}{2\pi f_o R_6} = \frac{1}{6.28 \times 20 \times 240} = 3.3 \times 10^{-5}$$

$$C_2 = 33\mu\text{F}$$

8. Equation (2.11.4):

$$C_8 = \frac{1}{2\pi f_3 R_{10}} = \frac{1}{6.28 \times 2120 \times 10 \times 10^4}$$

$$= 7.51 \times 10^{-10}$$

$$C_8 \approx 750\text{pF}$$

The completed design is shown in Figure 2.11.5 where a 47kΩ input resistor has been included to provide the RIAA standard cartridge load.

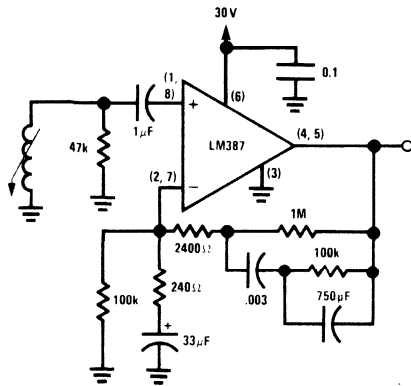


FIGURE 2.11.5 LM387 Phono Preamp. (RIAA)

The LM381 integrated circuit may be substituted for the LM387 in Figure 2.11.5 by making the appropriate pin number changes.

2.11.5 LM382 Phono Preamp

By making use of the internal resistor matrix, a minimum parts count low noise phono preamp is possible using the LM382 (Figure 2.11.6). The circuit has been optimized for a supply voltage equal to 12-14V. The midband 0dB reference gain equals 46dB (200V/V) and cannot easily be altered. For designs requiring either gain or supply voltage changes, the required extra parts make selection of a LM381 or LM387 more appropriate.

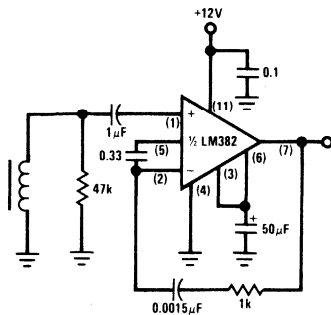


FIGURE 2.11.6 LM382 Phono Preamp. (RIAA)

2.11.6 LM1303 Phono Preamp

The LM1303 allows a convenient low noise phono preamp design when operating from split supplies. The circuit appears as Figure 2.11.7. For trimming purposes and/or gain changes the relevant formulas follow:

$$\text{0dB Ref Gain} = 1 + \frac{R_2}{R_3} \quad (2.11.5)$$

$$f_1 = \frac{1}{2\pi R_1 C_1} \quad (2.11.6)$$

$$f_2 = \frac{1}{2\pi R_2 C_1} \quad (2.11.7)$$

$$f_3 = \frac{1}{2\pi R_2 C_2} \quad (2.11.8)$$

As shown in Figure 2.11.7, the 0dB reference gain (1kHz) equals about 34dB and the feedback values have been altered slightly to minimize pole-zero interactions.

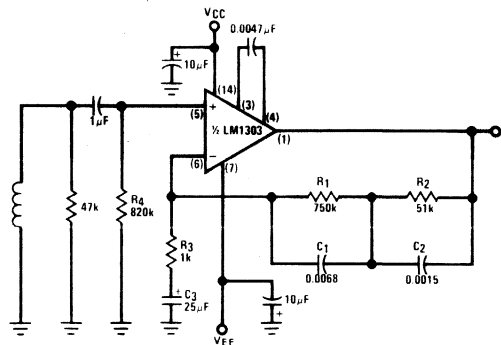


FIGURE 2.11.7 LM1303 Phono Preamp. (RIAA)

2.11.7 LM381A Ultra-Low Noise Mini Preamp

By increasing the current density of the first stage of the LM381A (see Section 2.7), it is possible to obtain optimum noise performance for magnetic cartridge pickups. A complete phono preamp using this technique is given in Figure 2.11.8 with provisions for tuner and tape inputs, selector switch and ganged volume control. Tone controls are omitted but may be easily added (see Section 2.14). The RIAA frequency response is within ±0.6dB of the standard values shown in Table 2.11.1. The 0dB reference gain at 1kHz is 41.6dB (120V/V), producing 1.5V_{RMS} output from a nominal 12.5mV_{RMS} input. With the given supply voltage of 33VDC, this gives better than +25dB headroom (dynamic range) for a typical 5mV input at 1kHz. Input overload limit equals 91mV at midband frequencies. Signal-to-noise ratio is better than -85dB referenced to a 10mV input level, with unweighted total output noise less than 100μV (input shorted). Metal film resistors and close tolerance capacitors should be used to minimize excess noise (see Section 2.3.2) and maintain RIAA frequency accuracy.

2.11.8 Inverse RIAA Response Generator

A useful test box to have handy while designing and building phono preamps is one which will yield the opposite of the playback characteristic, i.e., an inverse RIAA (or record) characteristic. The circuit (Figure 2.11.9) is achieved by adding a passive filter to the output of an LM387, used as a flat-response adjustable gain block. Gain is adjustable over a range of 24dB to 60dB and is set in accordance with the 0dB reference gain (1kHz) of the phono preamp under test. For example, assume the preamp being tested has +34dB gain at 1kHz. Connect a 1kHz generator to the input of Figure 2.11.9. The passive filter has a loss of -40dB at 1kHz, which is corrected by the LM387 gain, so if a 1kHz test output level of 1V is desired from a generator input level of 10mV, then the gain of the LM387 is set at +46dB (+46dB - 40dB + 34dB = X100; 10mV x 100 = 1V).

Break frequencies of the filter are determined by Equations (2.11.9)-(2.11.11).

$$f_1 = 50\text{Hz} = \frac{1}{2\pi R_9 C_4} \quad (2.11.9)$$

$$f_2 = 500\text{Hz} = \frac{1}{2\pi R_{10} C_5} \quad (2.11.10)$$

$$f_3 = 2120\text{Hz} = \frac{1}{2\pi R_{10} C_5} \quad (2.11.11)$$

The R₇-C₃ network is necessary to reduce the amount of feedback for AC and is effective for all frequencies beyond 20Hz. With the values shown the inverse RIAA curve falls within 0.75dB of Table 2.11.1.

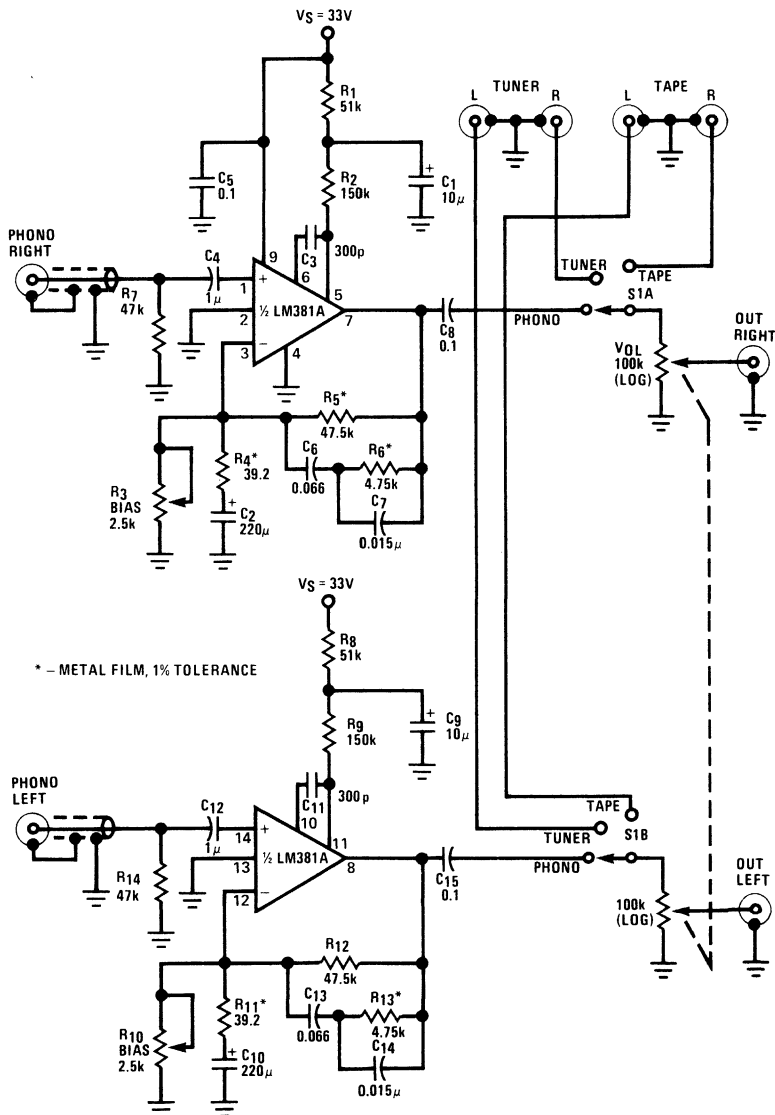


FIGURE 2.11.8 LM381A Ultra-Low Noise Mini Preamp. (RIAA)

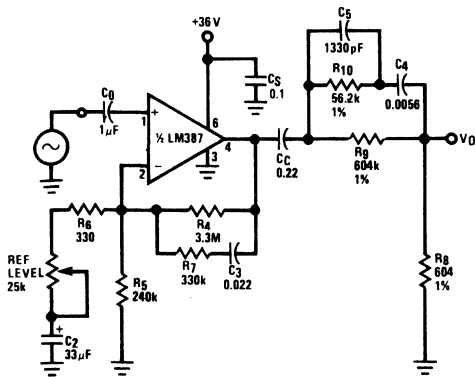


FIGURE 2.11.9 Inverse RIAA Response Generator

2.12 TAPE PREAMPLIFIERS AND NAB EQUALIZATION

2.12.1 Introduction

Tape recorder playback preamplifiers require special frequency shaping networks in their feedback paths in order to equalize, or correct, the signal coming off the tape head. Magnetic tape is recorded "constant current" (i.e., constant-current for all frequencies) and the recording head is primarily inductive. The impedance of the head, therefore, rises at a 6dB/octave rate with respect to increasing frequency, resulting in a corresponding rise in output voltage amplitude, i.e., the output voltage varies in direct proportion to frequency. So the signal fed to the playback preamp does not have a flat frequency response, but instead shows a steadily increasing level with increasing frequency (Figure 2.12.1). At high frequencies Figure 2.12.1 shows an abrupt change in response resulting in severe decrease in amplitude with continuing increase in frequency. There are several reasons for this phenomenon — all different and unrelated, but each contributing to the loss of high frequency response. The first area of degradation is due to the effects of the decreasing wavelengths of the higher frequencies. Two factors are important in minimizing wavelength problems: recording speed (Figure 2.12.2) and head gap (width) (Figure 2.12.3). The first of these is accounted for by the fact that the faster the tape is moved past the recording head, the more magnetic material (normally iron oxide deposited on a plastic tape backing) is available for use in capturing the rapidly changing magnetic field. With slowly moving tape, a point is reached where there just is not enough iron available to be magnetized. The second factor is true because when the width of the gap in a playback head equals the recorded wavelength, no output signal is possible since the edges of the gap are at equal magnetic potential.

Another area of serious high frequency loss is related more to the formulation of the tape itself than to the dynamics of recording. This is the fundamental problem of magnetic saturation, i.e., as magnetic variations increase in intensity, a point is reached where the tape begins to be saturated and a subsequent drop-off in level occurs. The trade term used to describe this effect is *self-demagnetization* and refers to the fact that the recorded material effectively consists of bar magnets in line with each other. The higher the frequency, the more bar magnets are recorded per inch of

tape; thus each one grows shorter. As their effective length decreases, more and more magnetic cancellation occurs due to the close proximity of north and south poles — hence, self-demagnetization. In lay language, the higher the frequency, the weaker the signal (field).

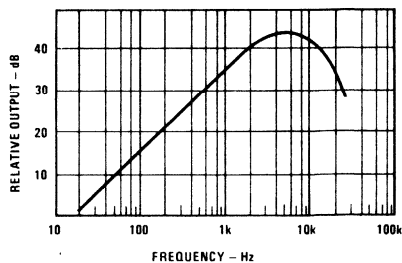


FIGURE 2.12.1 Typical Tape Playback Head Response

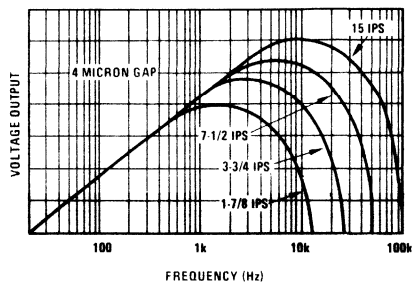


FIGURE 2.12.2 Effect of Tape Speed on Response

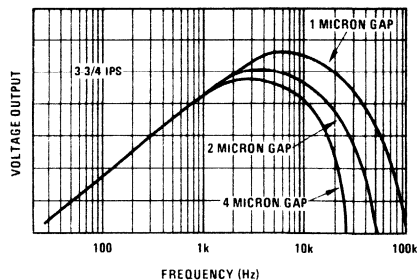


FIGURE 2.12.3 Effect of Head Gap on Response

Still another deleterious effect is due to the use of bias current. High frequency bias current (typically ~ 70kHz) is used in recording the audio signal to help correct for the inherent nonlinearities of the magnetic material, improving both distortion and signal-to-noise ratio. It is also used in higher quality machines (at about 20dB higher levels) to drive the erase head. The problem arises that a side effect of the distortion minimizing record bias current is high frequency erasure! The technical term is *bias erasure*. It is more noticeable at high frequencies because they are put onto the tape weaker and are more susceptible to being erased.

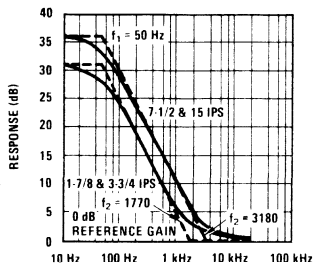


FIGURE 2.12.4 NAB Equalization Characteristic

Of the many factors contributing to high frequency roll-off, those due to self-demagnetization and bias erase are the most troublesome. This makes universal equalization difficult, since the quality of the tape used and proper adjustment of bias current ultimately determine flat response. Nevertheless, a standard does exist and is known as NAB (National Association of Broadcasters) equalization and appears as Figure 2.12.4. The four most used tape speeds are given along with the necessary design frequencies.

2.12.2 LM381 or LM387 Tape Record Preamp

When recording, the frequency response is the complement of the NAB playback equalization, making the composite record and playback response flat. Figure 2.12.5 shows the record characteristic superimposed on the NAB playback response.

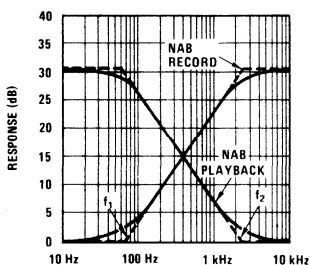


FIGURE 2.12.5 NAB Record & Playback Equalization

The NAB record characteristic is the sum of the *record head response* plus the *record amplifier equalization response*. Design of record amplifiers therefore requires accurate knowledge of the record head frequency response. The difference between the head response and the NAB record curve, then, determines the shape of the equalization required of the amplifier.

Curve A of Figure 2.12.6 shows the response characteristics of a typical laminated core, quarter-track head.

Curve B shows the required preamplifier response to make the composite, A + B, provide the NAB recording characteristic. This response is obtained with the circuit of Figure 2.12.7. Resistors R_4 and R_5 set the DC bias as before. (See

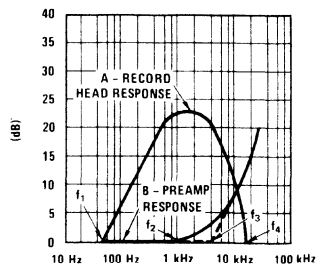


FIGURE 2.12.6 Recording Head & Preamp Response for NAB Equalization

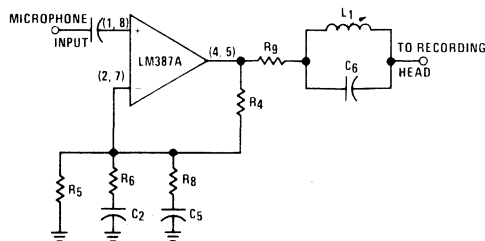


FIGURE 2.12.7 Tape Recording Preamp

Section 2.6.) Resistor R_6 and capacitor C_2 set the mid-band gain as before (Section 2.6). Capacitor C_5 sets the high frequency 3dB point, f_3 (Figure 2.12.6), as:

$$f_3 = \frac{1}{2\pi C_5 R_6} \quad (2.12.1)$$

The preamp gain increases at 6dB/octave above f_3 until $R_8 = X C_5$.

$$R_8 = \frac{1}{2\pi f_4 C_5} \quad (2.12.2)$$

where: f_4 = desired high frequency cutoff

Resistor R_9 is chosen to provide the proper recording head current.

$$R_9 = \frac{V_0}{I_{\text{RECORD HEAD}}} \quad (2.12.3)$$

L_1 and C_6 form a parallel resonant bias trap to present a high impedance to the recording bias frequency and prevent intermodulation distortion.

Example 2.12.1

A recorder having a 24V power supply uses recording heads requiring $30\mu\text{A}$ AC drive current. A microphone of 10mV peak output is used. Single ended input is desired for optimum noise performance.

Solution

1. From Equation (2.6.5) let $R_5 = 1200\Omega$.

2. Equation (2.6.6):

$$R_4 = \left(\frac{V_{CC}}{1.3} - 1 \right) R_5$$

$$R_4 = \left(\frac{24}{1.3} - 1 \right) 1200$$

$$R_4 = 2.09 \times 10^4 \approx 22k\Omega$$

3. The maximum output of the LM381 is $(V_{CC} - 2V)_{p-p}$. For a 24V power supply, the maximum output is 22V_{p-p} or 7.8V_{RMS}. Therefore, an output swing of 6V_{RMS} is reasonable.

From Equation (2.12.3),

$$R_9 = \frac{V_o}{I_{RECORD HEAD}}$$

$$R_9 = \frac{6V}{30\mu A} = 200k\Omega$$

4. Let the high frequency cutoff $f_4 = 16$ kHz (Figure 2.12.6). The recording head frequency response begins falling off at approximately 4kHz. Therefore, the preamp gain must increase at this frequency to obtain the proper composite characteristic. The slope is 6dB/octave for the two octaves between f_3 (4kHz) and the cutoff frequency f_4 (16kHz). Therefore, the mid-band gain lies 12dB below the peak gain.

We are allowing 6V_{RMS} output voltage swing. Therefore, the peak gain = $6V/10mV = 600$ or 55.6dB.

The mid-band gain = 43.6dB or 150.

5. From Equation (2.6.9) the mid-band gain is:

$$\frac{R_4 + R_6}{R_6} = 150$$

$$R_6 = \frac{R_4}{149} = \frac{22 \times 10^3}{149} = 147.7$$

$$R_6 \approx 150\Omega$$

6. Equation (2.6.10):

$$C_2 = \frac{1}{2\pi f_o R_6} = \frac{1}{6.28 \times 50 \times 150} = 2.12 \times 10^{-5}$$

$$C_2 \approx 20\mu F$$

7. Equation (2.12.1):

$$C_5 = \frac{1}{2\pi f_3 R_6} = \frac{1}{6.28 \times 4 \times 10^3 \times 150} = 2.66 \times 10^{-7}$$

$$C_5 \approx 0.27\mu F$$

8. Equation (2.12.2):

$$R_8 = \frac{1}{2\pi f_4 C_5} = \frac{1}{6.28 \times 16 \times 10^3 \times 2.7 \times 10^{-7}}$$

$$= 36.8$$

$$R_8 \approx 33\Omega$$

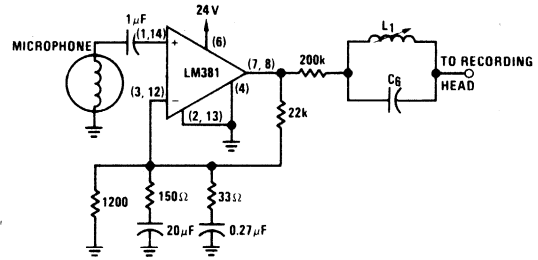


FIGURE 2.12.8 Typical Tape Recording Amplifier

2.12.3 LM387A or LM381 Tape Playback Preamp

The NAB response is achieved with the circuit of Figure 2.12.9. Resistors R_4 and R_5 set the DC bias and are chosen according to section 2.6.

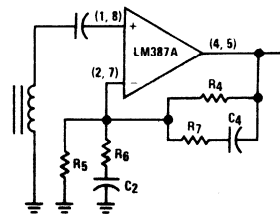


FIGURE 2.12.9 NAB Tape Preamp

The reference gain of the preamp, above corner frequency f_2 (Figure 2.12.4), is set by the ratio:

$$\text{0dB reference gain} = \frac{R_7 + R_6}{R_6} \quad (2.12.4)$$

The corner frequency f_2 (Figure 2.12.4) is determined where $X_{C4} = R_7$ and is given by:

$$f_2 = \frac{1}{2\pi C_4 R_7} \quad (2.12.5)$$

Corner frequency f_1 is determined where $X_{C4} = R_4$:

$$f_1 = \frac{1}{2\pi C_4 R_4} \quad (2.12.6)$$

The low frequency 3dB roll-off point, f_o , is set where $X_{C2} = R_6$:

$$f_o = \frac{1}{2\pi C_2 R_6} \quad (2.12.7)$$

Example 2.12.2

Design a NAB equalized preamp for a tape player requiring 0.5V_{RMS} output from a head sensitivity of 800µV at 1kHz, 3¼ IPS. The power supply voltage is 24V and the differential input configuration is used.

Solution

1. From Equation (2.6.3) let $R_5 = 240\text{k}\Omega$.

2. Equation (2.6.4):

$$R_4 = \left(\frac{V_{CC}}{2.6} - 1 \right) R_5$$

$$R_4 = \left(\frac{24}{2.6} - 1 \right) 2.4 \times 10^5$$

$$R_4 = 1.98 \times 10^6 \approx 2.2\text{M}\Omega$$

3. For a corner frequency, f_1 , equal to 50 Hz, Equation (2.12.6) is used.

$$C_4 = \frac{1}{2\pi f_1 R_4} = \frac{1}{6.28 \times 50 \times 2.2 \times 10^6}$$

$$= 1.44 \times 10^{-9} \approx 1500\text{pF}.$$

4. From Figure 2.12.4, the corner frequency $f_2 = 1770\text{Hz}$ at 3-3/4 IPS. Resistor R_7 is found from Equation (2.12.5).

$$R_7 = \frac{1}{2\pi f_2 C_4}$$

$$R_7 = \frac{1}{6.28 \times 1770 \times 1.5 \times 10^{-9}} = 6 \times 10^4$$

$$R_7 \approx 62\text{k}\Omega$$

5. The required voltage gain at 1 kHz is:

$$A_V = \frac{0.5\text{V}_{RMS}}{800\mu\text{V}_{RMS}} = 6.25 \times 10^2 \text{V/V} = 56\text{dB}$$

6. From Figure 2.12.4 we see the reference frequency gain, above f_2 , is 5dB down from the 1kHz value or 51dB (355V/V).

From Equation (2.12.4):

$$\text{0dB Ref Gain} = \frac{R_7 + R_6}{R_6} = 355$$

$$R_6 = \frac{R_7}{355 - 1} = \frac{62\text{k}}{354} = 175$$

$$R_6 \approx 180\Omega$$

7. For low frequency corner $f_0 = 40\text{Hz}$, Equation (2.12.7):

$$C_2 = \frac{1}{2\pi f_0 R_6} = \frac{1}{6.28 \times 40 \times 180} = 2.21 \times 10^{-5}$$

$$C_2 \approx 20\mu\text{F}$$

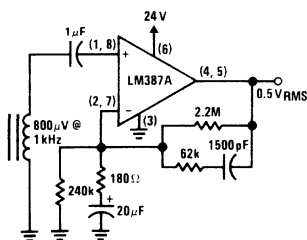
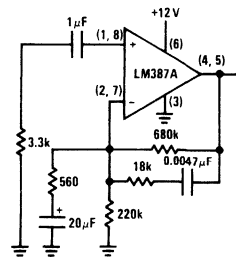
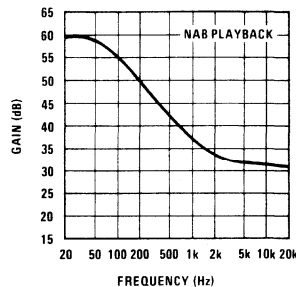


FIGURE 2.12.10 Typical Tape Playback Amplifier

An example of a LM387A tape playback preamp designed for 12 volt operation is shown in Figure 2.12.11 along with its frequency response.



(a) NAB Tape Circuit



(b) Frequency Response of NAB Circuit

FIGURE 2.12.11 LM387 Tape Playback Preamp

2.12.4 Fast Turn-On NAB Tape Playback Preamp

The circuit shown in Figure 2.12.10 requires approximately 5 seconds to turn on for the gain and supply voltage chosen in the example. Turn-on time can closely be approximated by:

$$\tau_{ON} \approx -R_4 C_2 \ln \left(1 - \frac{2.4}{V_{CC}} \right) \quad (2.12.8)$$

As seen by Equation (2.12.8), increasing the supply voltage decreases turn-on time. Decreasing the amplifier gain also decreases turn-on time by reducing the $R_4 C_2$ product.

Where the turn-on time of the circuit of Figure 2.12.9 is too long, the time may be shortened by using the circuit of Figure 2.12.12. The addition of resistor R_D forms a voltage divider with R_6' . This divider is chosen so that zero DC voltage appears across C_2 . The parallel resistance of R_6' and R_D is made equal to the value of R_6 found by Equation (2.12.4). In most cases the shunting effect of R_D is negligible and $R_6' \approx R_6$.

For differential input, R_D is given by:

$$R_D = \frac{(V_{CC} - 1.2) R_6'}{1.2} \quad (2.12.9)$$

For single ended input:

$$R_D = \frac{(V_{CC} - 0.6) R_6'}{0.6} \quad (2.12.10)$$

In cases where power supply ripple is excessive, the circuit of Figure 2.12.12 cannot be used since the ripple is coupled into the input of the preamplifier through the divider.

The circuit of Figure 2.12.13 provides fast turn-on while preserving the 120dB power supply rejection.

The DC operating point is still established by R_4/R_5 . However, Equations (2.6.3) and (2.6.5) are modified by a factor of 10 to preserve DC bias stability.

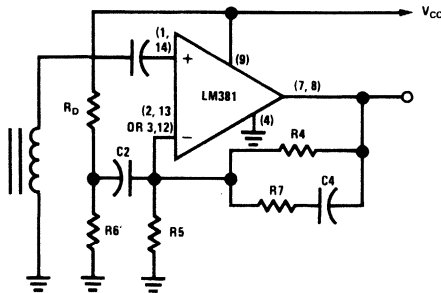


FIGURE 2.12.12 Fast Turn-On NAB Tape Preamp

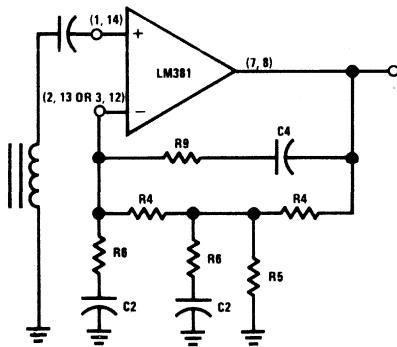


FIGURE 2.12.13 Two-Pole Fast Turn-On NAB Tape Preamp

For differential input, Equation (2.6.3) is modified as:

$$R_5 = \frac{2 V_{BE}}{100 I_{Q2}} = \frac{1.2}{50 \times 10^{-6}} \quad (2.6.3a)$$

$$= 24 \text{ k}\Omega \text{ maximum}$$

For single ended input:

$$R_5 = \frac{V_{BE}}{50 I_{FB}} = \frac{0.6}{50 \times 10^{-4}} \quad (2.6.5a)$$

$$= 120 \Omega \text{ maximum}$$

Equations (2.12.4), (2.12.5), and (2.12.7) describe the high frequency gain and corner frequencies f_2 and f_0 as before.

Frequency f_1 now occurs where X_{C4} equals the composite impedance of the R_4, R_6, C_2 network as given by Equation (2.12.11).

$$C_4 = \frac{1}{2 \pi f_1 R_6 \left[\left(\frac{R_4 + R_6}{R_6} \right)^2 - 1 \right]} \quad (2.12.11)$$

The turn-on time becomes:

$$t_{ON} \approx -2\sqrt{R_4 C_2} \ln \left(1 - \frac{2.4}{V_{CC}} \right) \quad (2.12.12)$$

Example 2.12.3

Design an NAB equalized preamp with the fast turn-on circuit of Figure 2.12.13 for the same requirements as given in Example 2.12.2.

Solution

- From Equation (2.6.3a) let $R_5 = 24 \text{ k}\Omega$.
- Equation (2.6.4):

$$R_4 = \left(\frac{V_{CC}}{2.6} - 1 \right) R_5$$

$$= \left(\frac{24}{2.6} - 1 \right) 24 \times 10^3 = 1.98 \times 10^5$$

$$R_4 \approx 220 \text{ k}\Omega$$

- From Example 2.12.2, the reference frequency gain, above f_2 , is 51 dB or 355 V/V.

Equation (2.12.4):

$$\frac{R_7 + R_6}{R_6} = 355$$

- The corner frequency f_2 is 1770 Hz for 3-3/4 IPS.

Equation (2.12.5):

$$C_4 = \frac{1}{2 \pi f_2 R_7}$$

- The corner frequency f_1 is 50 Hz and is given by Equation (2.12.11).

$$C_4 = \frac{1}{2 \pi f_1 R_6 \left[\left(\frac{R_4 + R_6}{R_6} \right)^2 - 1 \right]}$$

- Solving Equations (2.12.4), (2.12.5), and (2.12.11) simultaneously gives:

$$R_6 = \frac{R_4 [f_1 + \sqrt{f_1^2 + f_1 f_2 (\text{Ref Gain})}]}{f_2 (\text{Ref Gain})} \quad (2.12.13)$$

$$R_6 = \frac{2.2 \times 10^5 (50 + \sqrt{2500 + 50 \times 1770 \times 355})}{1770 \times 355}$$

$$= 1.98 \times 10^3 \approx 2 \text{ k}\Omega$$

7. From Equation (2.12.4):

$$R_7 = 354 R_6 = 708 \times 10^3$$

$$R_7 \approx 680 \text{ k}\Omega$$

8. Equation (2.12.5):

$$C_4 = \frac{1}{2 \pi f_2 R_7} = \frac{1}{6.28 \times 1770 \times 680 \times 10^3}$$

$$C_4 = 1.32 \times 10^{-10} \approx 120 \text{ pF}$$

9. Equation (2.12.7):

$$C_2 = \frac{1}{2 \pi f_0 R_6} = \frac{1}{6.28 \times 40 \times 2 \times 10^3}$$

$$C_2 = 1.99 \times 10^{-6} \approx 2 \mu\text{F}$$

This circuit is shown in Figure 2.12.14 and requires only 0.1 seconds to turn on.

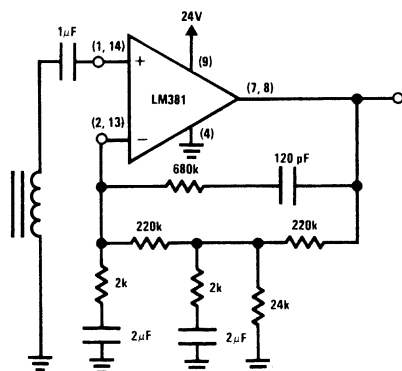


FIGURE 2.12.14

2.12.5 LM381A Ultra Low Noise Tape Playback Preamp

Optimum noise performance will be obtained by using a LM381A biased single-ended, with the current density increased per instructions given in Section 2.7. A typical circuit (Figure 2.12.15) is shown for the popular tape speeds of 1-7/8 and 3-3/4 IPS. Metal film resistors should be used where indicated to reduce excess noise. The 0dB reference gain is 41 dB and produces an output level equal to 200mV from a head output of 1 mV at 1 kHz. Notice that the two-pole fast turn-on configuration has not been used. While it could be used, its advantages are not as evident in single ended biasing schemes since turn-on is inherently faster due to the lower voltage required at pin 3 (~ 0.5V compared to ~ 1.2V for differential scheme). The high supply voltage also results in faster turn-on as discussed earlier. Figure 2.12.15 requires approximately 0.6 seconds to turn on.

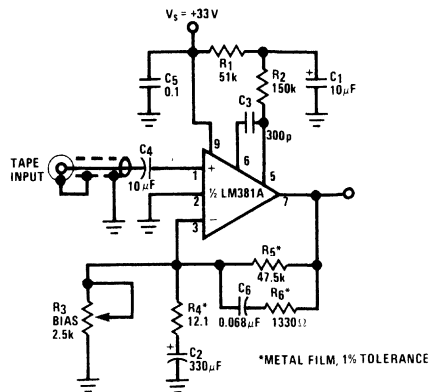


FIGURE 2.12.15 LM381A Ultra-Low Noise Tape Preamp (NAB, 1-7/8 & 3-3/4 IPS)

2.12.6 LM382 Tape Playback Preamp

With just one capacitor in addition to the gain setting capacitors, it is possible to design a complete low noise, NAB equalized tape playback preamp (Figure 2.12.16). The circuit is optimized for automotive use, i.e., $V_S = 10\text{-}15\text{V}$. The wideband 0dB reference gain is equal to 46dB (200V/V) and is not easily altered. For designs requiring either gain or supply voltage changes the required extra parts make selection of a LM387 a more appropriate choice.

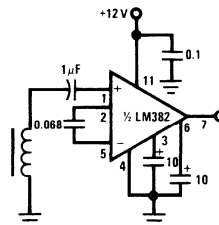


FIGURE 2.12.16 LM382 Tape Preamp (NAB, 1-7/8 & 3-3/4 IPS)

2.12.7 LM1303 Tape Playback Preamp

For split supply applications, the LM1303 may be used as a tape preamp as shown in Figure 2.12.17. Design equations are given below for trimming or alteration purposes. (Frequency points refer to Figure 2.12.4.)

$$\text{0dB Ref Gain} = 1 + \frac{R_2}{R_3} \quad (2.12.14)$$

$$f_1 = \frac{1}{2 \pi R_1 C_1} \quad (2.12.15)$$

$$f_2 = \frac{1}{2 \pi R_2 C_1} \quad (2.12.16)$$

As shown, the 0dB reference gain equals 34 dB. Due to the limited open loop gain of the LM1303, this should be treated as a maximum value allowed.

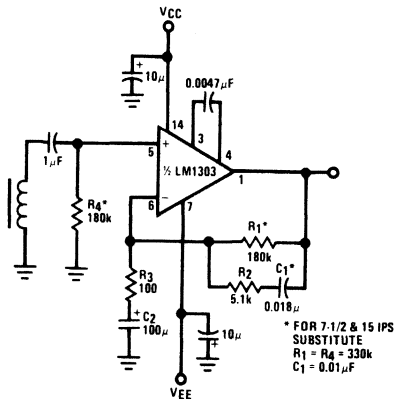


FIGURE 2.12.17 LM1303 Tape Preamp (NAB, 1-7/8 & 3-3/4 IPS)

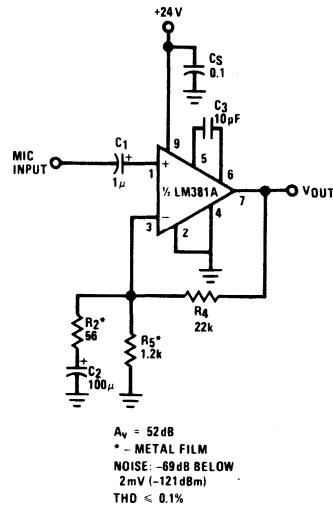
2.13 MIC PREAMPS

2.13.1 Introduction

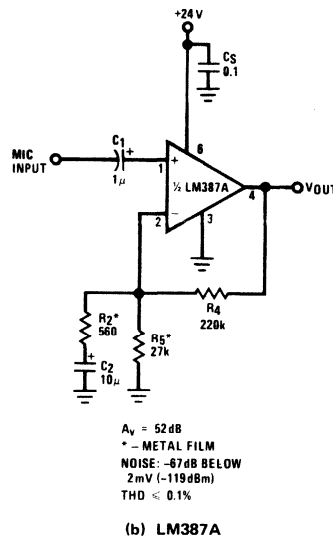
Microphones classify into two groups: high impedance (~ 20kΩ), high output (~ 200mV); and low impedance (~ 200Ω), low output (~ 2mV). The first category places no special requirements upon the preamp; amplification is done simply and effectively with the standard non-inverting or inverting amplifier configurations. The frequency response is reasonably flat and no equalization is necessary. Hum and noise requirements of the amplifier are minimal due to the large input levels. If everything is so easy, where is the hook? It surfaces with regard to hum and noise pickup of the microphone itself. Being a high impedance source, these mics are very susceptible to stray magnetic field pickup (e.g., 60Hz), and their use must be restricted to short distances (typically less than ten feet of cable length). Because of this problem, high impedance mics are rarely used.

Low impedance microphones also have a flat frequency response, requiring no special equalization in the preamp section. Their low output levels do, however, impose rather stringent noise requirements upon the preamp. For a signal-to-noise ratio of 65dB with a 2mV input signal, the total equivalent input noise (EIN) of the preamp must be 1.12µV (10-10kHz). National's line of low noise dual preamps with their guaranteed EIN of ≤ 0.7µV (LM381A) and ≤ 0.9µV (LM387A) make excellent mic preamps, giving at least 67dB S/N (LM387A) performance (re: 2mV input level), or -119dBm.

Low impedance mics take two forms: unbalanced two wire output, one of which is ground, and balanced three wire output, two signal and one ground. Balanced mics predominate usage since the three wire system facilitates minimizing hum and noise pickup by using differential input schemes. This takes the form of a transformer with a center-tapped primary (grounded), or use of a differential op amp. More about balanced mics in a moment, but first the simpler unbalanced preamps will be discussed.



(a) LM381A S. E. Bias



(b) LM387A

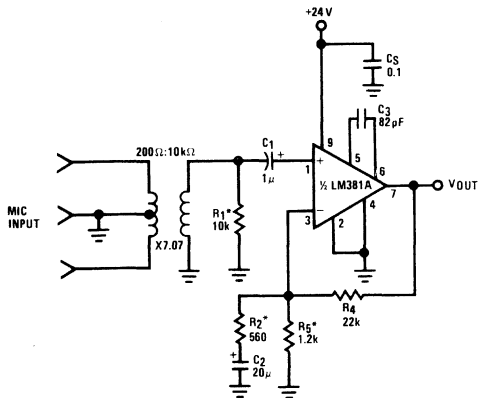
FIGURE 2.13.1 Transformerless Mic Preamps for Unbalanced Inputs

2.13.2 Transformerless Unbalanced Designs

Low impedance unbalanced (or single-ended) mics may be amplified with the circuits appearing in Figure 2.13.1. The LM381A (Figure 2.13.1a) biased single-ended makes a simple, quiet preamp with noise performance -69dB below a 2mV input reference point. Resistors R4 and R5 provide negative input bias current and establish the DC output level at one-half supply. Gain is set by the ratio of R4 to R2, while C2 establishes the low frequency -3dB corner. High frequency roll-off is done with C3. Capacitor C1 is made large to reduce the effects of 1/f noise currents at low

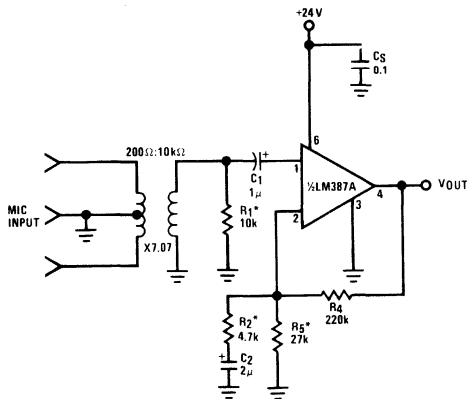
frequencies. (See Section 2.6 for details on biasing and gain adjust.)

The LM387A (Figure 2.13.1b) offers the advantage of fewer parts and a very compact layout, since it comes in the popular 8-pin minidip package. The noise degradation referenced to the LM381A is only +2dB, making it a desirable alternative for designs where space or cost are dominant factors. Biasing and gain resistors are similar to LM381A. (See Section 2.8 for details.)



$A_v = 52\text{ dB}$
 * - METAL FILM
 NOISE: -86dB BELOW
 2mV (-138dBm)
 THD $\leq 0.1\%$

(a) LM381A S. E. Bias



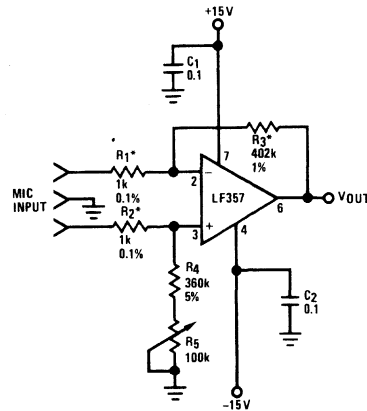
$A_v = 52\text{ dB}$
 * - METAL FILM
 NOISE: -84dB BELOW
 2mV (-136dBm)
 THD $\leq 0.1\%$

(b) LM387A

2.13.3 Transformer-Input Balanced Designs

Balanced microphones are used where hum and noise must be kept at a minimum. This is achieved by using a three wire system — two for signal and a separate wire for ground. The two signal wires are twisted tightly together with an overall shield wrapped around the pair, acting as the ground. Proper grounding of microphones and their interconnecting cables is crucial since all noise and hum frequencies picked up along the way to the preamplifier will be amplified as signal. The rationale behind the twisted-pair concept is that all interference will be induced *equally* into each signal wire and will thus be applied to the preamp *common-mode*, while the actual transmitted signal appears differential. Balanced-input transformers with center-tapped primaries and single-ended secondaries (Figure 2.13.2) dominate balanced mic preamp designs. By grounding the center-tap all common-mode signals are shunted to ground, leaving the differential signal to be transformed across to the secondary winding, where it is converted into a single-ended output. Amplification of the secondary signal is done either with the LM381A (Figure 2.13.2a) or with the LM387A (Figure 2.13.2b). Looking back to Figure 2.13.1 shows the two circuits being the same with the exception of a change in gain to compensate for the added gain of the transformer. The net gain equals 52dB and produces ~0dBm output for a nominal 2mV input. Selection of the input transformer is fixed by two factors: mic impedance and amplifier optimum source impedance. For the cases shown the required impedance ratio is 200:10k, yielding a voltage gain (and turns ratio) of about seven ($\sqrt{10k/200}$).

Assuming an ideal noiseless transformer gives noise performance -86dB below a 2mV input level. Using a carefully designed transformer with electrostatic shielding, rejection of common-mode signals to 60dB can be expected (which is better than the cable manufacturer can match the twisting of the wires).



$A_v = 52\text{ dB}$
 * - METAL FILM
 NOISE: -84dB BELOW
 2mV (-115dBm)
 THD $\leq 0.1\%$

FIGURE 2.13.3 Transformerless Mic Preamp for Balanced Inputs

FIGURE 2.13.2 Transformer-Input Mic Preamps for Balanced Inputs

2.13.4 Transformerless Balanced Designs

Transformer input designs offer the advantage of nearly noise-free gain and do indeed yield the best noise performance for microphone applications; however, when the total performance of the preamplifier is examined, many deficiencies arise. Even the best transformers will introduce certain amounts of harmonic distortion; they are very susceptible to hum pickup; common-mode rejection is not optimum; and not a small problem is the expense of quality input transformers. For these reasons, transformerless designs are desirable. By utilizing the inherent ability of an operational amplifier to amplify differential signals while rejecting common-mode ones, it becomes possible to eliminate the input transformer.

Figure 2.13.3 shows the FET input op amp, LF357 (selected for its high slew rate and CMRR) configured as a difference amplifier. As shown, with $R_1 = R_2$ and $R_3 = R_4 + R_5$ the gain is set by the ratio of R_3 to R_1 (see Appendix A4) and equals 52dB. The LF357 is selected over the quieter LM387A due to its high common-mode rejection capability. The LM387A (or LM381A) requires special circuitry when used with balanced inputs since it was not designed to reject common-mode signals. (A design trade-off was made for lower noise.) See Section 2.13.4.

Input resistors R_1 and R_2 are made large compared to the source impedance, yet kept as small as possible, to achieve an optimum balance between input loading effects and low noise. Making $R_1 + R_2$ equal to ten times the source impedance is a good compromise value. Matching imped-

ances is *not* conducive to low noise design and should be avoided.¹ The common-mode rejection ratio (CMRR) of the LF357 is 100dB and can be viewed as the "best case" condition, i.e., with a perfect match in resistors, the CMRR will be 100dB. The effect of resistor mismatch on CMRR cannot be overemphasized. The amplifier's ability to reject common-mode assumes that *exactly* the same signal is simultaneously present at both the inverting and non-inverting inputs (pins 2 and 3). Any mismatch between resistors will show up as a *differential* signal present at the input terminals and will be amplified accordingly. By using 0.1% tolerance resistors, and adjusting R_5 for minimum output with a common-mode signal applied, a CMRR near 100dB is possible. Using 1% resistors will degrade CMRR to about 80dB. The LF356 may be substituted for the LF357 if desired with only a degradation in slew rate (12V/ μ s vs. 50V/ μ s) and gain bandwidth (5MHz vs. 20MHz).

Due to the thermal noise of the relatively large input resistors the noise performance of the Figure 2.13.3 circuit is poorer than the other circuits, but it offers superior hum rejection relative to Figure 2.13.1 and eliminates the costly transformer of Figure 2.13.2.

2.13.5 Low Noise Transformerless Balanced Designs

An improvement in noise performance over Figure 2.13.3 is possible by using a LM387A in front of the LF356 (or LF357) as shown in Figure 2.13.4. This configuration is known as an instrumentation amplifier after its main usage in balanced bridge instrumentation applications. In this

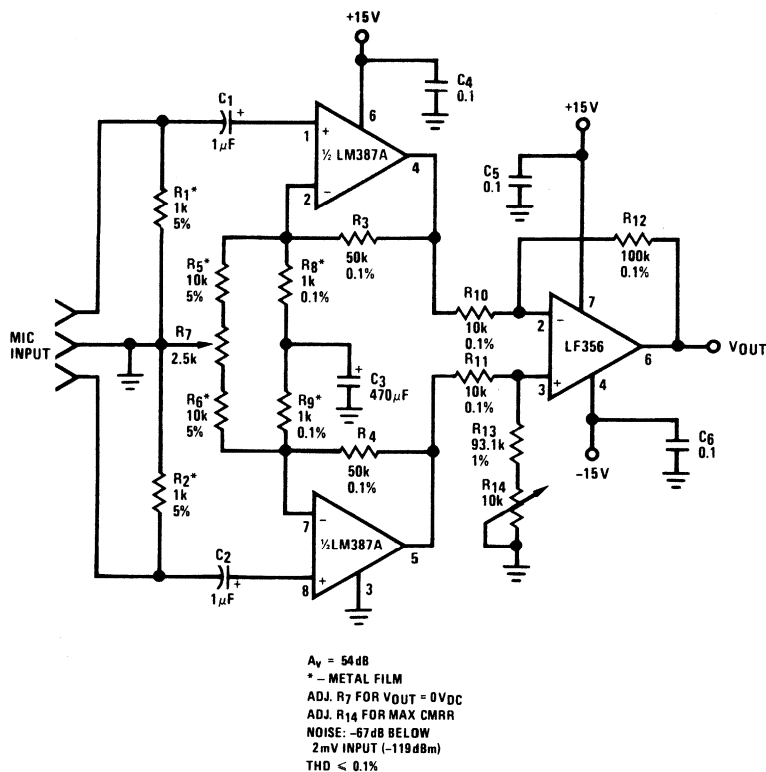


FIGURE 2.13.4 Low Noise Transformerless Balanced Mic Preamp

design each half of the LM387A is wired as a non-inverting amplifier with bias and gain setting resistors as before. Resistors R_1 and R_2 set the input impedance at $2k\Omega$ (balanced). Potentiometer R_7 is used to set the output DC level at zero volts by matching the DC levels of pins 4 and 5 of the LM387A.

This allows direct coupling between the stages, thus eliminating the coupling capacitors and the associated matching problem for optimum CMRR. AC gain resistors R_8 and R_9 are grounded by the common capacitor, C_3 , eliminating another capacitor and assuring AC gain match. Close resistor tolerance is necessary around the LM387A in order to preserve common-mode signals appearing at the input. The function of the LM387A is to amplify the low level signal adding as little noise as possible, and leave common-mode rejection to the LF356.

By substituting a LM381A and increasing its current density (see Section 2.7) a professional quality transformerless balanced mic preamp can be designed. With the exception of the additional components necessary to increase the current density, the circuit is the same as Figure 2.13.4. The improvement in noise performance is 7 dB, yielding noise -74 dB below a 2 mV input level.

REFERENCES

1. Smith, D. A. and Wittman, P. H., "Design Considerations of Low-Noise Audio Input Circuitry for a Professional Microphone Mixer," *Jour. Aud. Eng. Soc.*, vol. 18, no. 2, April 1970, pp. 140-156.

2.14 TONE CONTROLS

2.14.1 Introduction

There are many reasons why a user of audio equipment may wish to alter the frequency response of the material being played. The purist will argue that he wants his amplifier "flat," i.e., no alteration of the source material's frequency response; hence, amplifiers with tone controls often have a FLAT position or a switch which bypasses the circuitry. The realist will argue that he wants the music to reach his ears "flat." This position recognizes that such parameters as room acoustics, speaker response, etc., affect the output of the amplifier and it becomes necessary to compensate for these effects if the listener is to "hear" the music "flat," i.e., as recorded. And there is simply the matter of personal taste (which is not simple): one person prefers "bassy" music; another prefers it "trebley."

2.14.2 Passive Design

Passive tone controls offer the advantages of lowest cost and minimum parts count while suffering from severe insertion loss which often creates the need for a tone recovery amplifier. The insertion loss is approximately equal to the amount of available boost, e.g., if the controls have +20 dB of boost, then they will have about -20 dB insertion loss. This is because passive tone controls work as AC voltage dividers and really only cut the signal.

2.14.3 Bass Control

The most popular bass control appears as Figure 2.14.1 along with its associated frequency response curve. The curve shown is the ideal case and can only be approximated. The corner frequencies f_1 and f_2 denote the half-power points and therefore represent the frequencies at which the

relative magnitude of the signal has been reduced (or increased) by 3 dB.

Passive tone controls require "audio taper" (logarithmic) potentiometers, i.e., at the 50% rotation point the slider splits the resistive element into two portions equal to 90% and 10% of the total value. This is represented in the figures by "0.9" and "0.1" about the wiper arm.

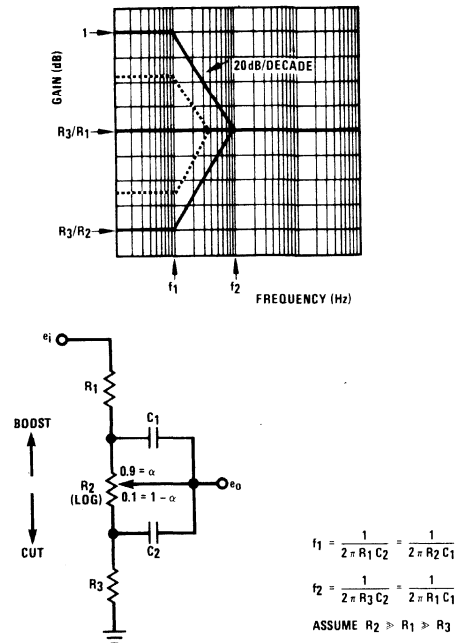


FIGURE 2.14.1 Bass Tone Control - General Circuit

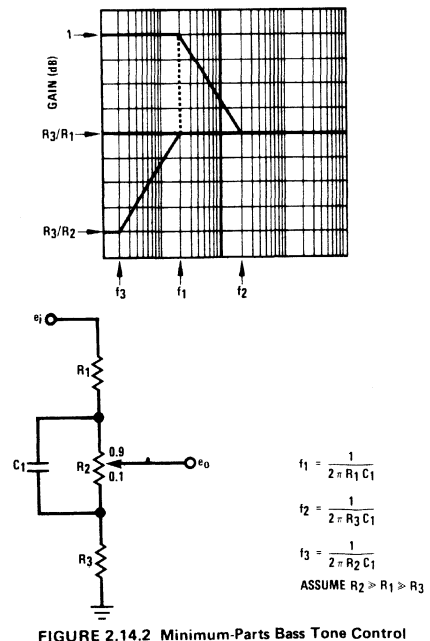


FIGURE 2.14.2 Minimum-Parts Bass Tone Control

For designs satisfying $R_2 \gg R_1 \gg R_3$, the amount of available boost or cut of the signal given by Figure 2.14.1 is set by the following component ratios:

$$\frac{R_1}{R_2} = \frac{R_3}{R_1} = \frac{C_1}{C_2} = \text{bass boost or cut amount} \quad (2.14.1)$$

The turnover frequency f_2 occurs when the reactance of C_1 equals R_1 and the reactance of C_2 equals R_3 (assuming $R_2 \gg R_1 \gg R_3$):

$$C_1 = \frac{1}{2\pi f_2 R_1} \quad (2.14.2)$$

$$C_2 = \frac{1}{2\pi f_2 R_3} \quad (2.14.3)$$

The frequency response will be accentuated or attenuated at the rate of $\pm 20\text{dB/decade} = \pm 6\text{dB/octave}$ (single pole response) until f_1 is reached. This occurs when the limiting impedance is dominant, i.e., when the reactance of C_1 equals R_2 and the reactance of C_2 equals R_1 :

$$f_1 = \frac{1}{2\pi R_1 C_2} = \frac{1}{2\pi R_2 C_1} \quad (2.14.4)$$

Note that Equations (2.14.1)-(2.14.4) are not independent but all relate to each other and that selection of boost/cut amount and corner frequency f_2 fixes the remaining parameters. Also of passing interest is the fact that f_2 is dependent upon the wiper position of R_2 . The solid-line response of Figure 2.14.1 is only valid at the extreme ends of potentiometer R_2 ; at other positions the response changes as depicted by the dotted line response. The relevant time constants involved are $(1 - \alpha)R_2C_1$ and αR_2C_2 , where α equals the fractional rotation of the wiper as shown in Figure 2.14.1. While this effect might appear to be undesirable, in practice it is quite acceptable and this design continues to dominate all others.

Figure 2.14.2 shows an alternate approach to bass tone control which offers the cost advantage of one less capacitor and the disadvantage of asymmetric boost and cut response. The degree of boost or cut is set by the same resistor ratios as in Figure 2.14.1.

$$\frac{R_2}{R_1} = \frac{R_1}{R_3} = \text{bass boost or cut amount} \quad (2.14.5)$$

assumes $R_2 \gg R_1 \gg R_3$

The boost turnover frequency f_2 occurs when the reactance of C_1 equals R_3 :

$$C_1 = \frac{1}{2\pi f_2 R_3} \quad (2.14.6)$$

Maximum boost occurs at f_1 , which also equals the cut turnover frequency. This occurs when the reactance of C_1 equals R_1 , and maximum cut is achieved where $X_{C_1} = R_2$. Again, all relevant frequencies and the degree of boost or cut are related and interact. Since in practice most tone controls are used in their boost mode, Figure 2.14.2 is not as troublesome as it may first appear.

2.14.4 Treble Control

The treble control of Figure 2.14.3 represents the electrical analogue of Figure 2.14.1, i.e., resistors and capacitors inter-

changed, and gives analogous performance. The amount of boost or cut is set by the following ratios:

$$\frac{R_3}{R_1} = \frac{C_1}{C_2} = \text{treble boost or cut amount} \quad (2.14.7)$$

assumes $R_2 \gg R_1 \gg R_3$

Treble turnover frequency f_1 occurs when the reactance of C_1 equals R_1 and the reactance of C_2 equals R_3 :

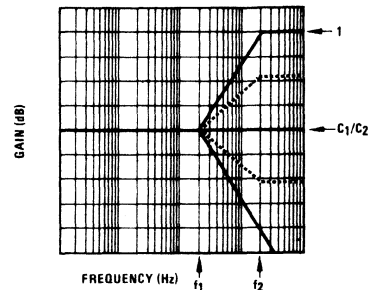


FIGURE 2.14.3 Treble Tone Control - General Circuit

$$C_1 = \frac{1}{2\pi f_1 R_1} \quad (2.14.8)$$

$$C_2 = \frac{1}{2\pi f_1 R_3} \quad (2.14.9)$$

The amount of available boost is reached at frequency f_2 and is determined when the reactance of C_1 equals R_3 .

$$f_2 = \frac{1}{2\pi R_3 C_1} \quad (2.14.10)$$

In order for Equations (2.14.8) and (2.14.9) to remain valid, it is necessary for R_2 to be designed such that it is much larger than either R_1 or R_3 . For designs that will not permit this condition, Equations (2.14.8) and (2.14.9) must be modified by replacing the R_1 and R_3 terms with $R_1 \parallel R_2$ and $R_3 \parallel R_2$ respectively. Unlike the bass control, f_1 is not dependent upon the wiper position of R_2 , as indicated by the dotted lines shown in Figure 2.14.3. Note that in the full cut position attenuation tends toward zero without the shelf effect of the boost characteristic.

2

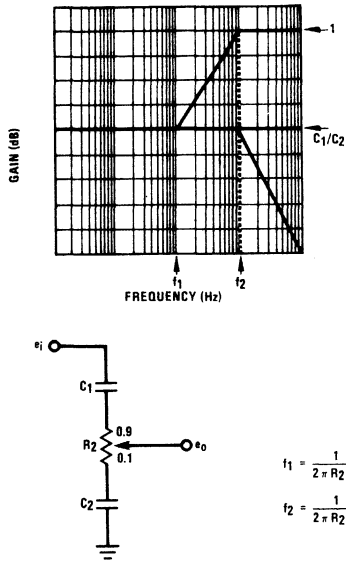


FIGURE 2.14.4 Minimum-Parts Treble Tone Control

It is possible to omit R_1 and R_3 for low cost systems. Figure 2.14.4 shows this design with the modified equations and frequency response curve. The obvious drawback appears to be that the turnover frequency for treble cut occurs a decade later (for ± 20 dB designs) than the boost point. As noted previously, most controls are used in their boost mode, which lessens this drawback, but probably more important is the effect of finite loads on the wiper of R_2 .

Figure 2.14.5 shows the loading effect of R_L upon the frequency response of Figure 2.14.4. Examination of these two figures shows that the presence of low impedance (relative to R_2) on the slider changes the break points significantly. If R_L is $1/10$ of R_2 then the break points shift a full decade higher. The equations given in Figure 2.14.5 hold for values of $R_2 \geq 10 R_L$. A distinct advantage of Figure 2.14.5 over Figure 2.14.4 is seen in the cut performance. R_L tends to pull the cut turnover frequency back toward the boost corner — a nice feature, and with two fewer resistors. Design becomes straightforward once R_L is known. C_1 and C_2 are calculated from Equations (2.14.11) and (2.14.12).

$$C_1 = \frac{1}{2\pi f_2 R_L} \quad (2.14.11)$$

$$C_2 = \frac{1}{2\pi f_1 R_L} \quad (2.14.12)$$

Here again, gain and turnover frequencies are related and fixed by each other.

Example 2.14.1

Design a passive, symmetrical bass and treble tone control circuit having 20dB boost and cut at 50Hz and 10kHz, relative to midband gain.

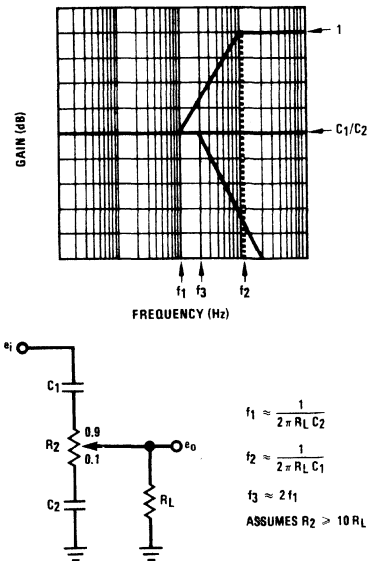


FIGURE 2.14.5 Effect of Loading Treble Tone Control

Solution

- For symmetrical controls, combine Figures 2.14.1 and 2.14.3.

BASS (Figure 2.14.1):

- From Equation (2.14.1):

$$\frac{R_1}{R_2} = \frac{R_3}{R_1} = \frac{C_1}{C_2} = \frac{1}{10} \quad (-20\text{dB})$$

$$f_1 = 50\text{Hz} \text{ and } f_2 = 500\text{Hz}$$

- Let $R_2 = 100\text{k}$ (audio taper).

- From Step 2:

$$R_1 = \frac{R_2}{10} = \frac{100\text{k}}{10} = 10\text{k}$$

$$R_3 = \frac{R_1}{10} = \frac{10\text{k}}{10} = 1\text{k}$$

- From Equation (2.14.2) and Step 2:

$$C_1 = \frac{1}{2\pi f_2 R_1} = \frac{1}{(2\pi)(500)(10\text{k})} = 3.18 \times 10^{-8}$$

$$\text{Use } C_1 = 0.033\mu\text{F}$$

$$C_2 = 10C_1$$

$$C_2 = 0.33\mu\text{F}$$

TREBLE (Figure 2.14.3):

6. From Equation (2.14.7):

$$\frac{R_3}{R_1} = \frac{C_1}{C_2} = \frac{1}{10} \quad (-20\text{dB})$$

$$f_1 = 1\text{kHz}, f_2 = 10\text{kHz}$$

7. Let $R_2 = 100\text{k}$ (audio taper).

8. Select $R_1 = 10\text{k}$ (satisfying $R_2 \gg R_1$ and minimizing component spread).

Then:

$$R_3 = \frac{R_1}{10} = \frac{10\text{k}}{10} = 1\text{k}$$

9. From Equation (2.14.8) and Step 6:

$$C_1 = \frac{1}{2\pi f_1 R_1} = \frac{1}{(2\pi)(1\text{k})(10\text{k})} = 1.59 \times 10^{-8}$$

$$\text{Use } C_1 = 0.015\mu\text{F}$$

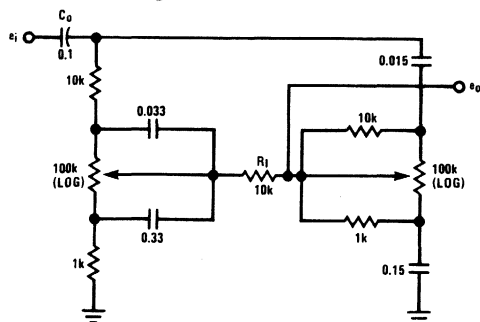
$$C_2 = 10C_1$$

$$C_2 = 0.15\mu\text{F}$$

The completed design appears as Figure 2.14.6, where R_1 has been included to isolate the two control circuits, and C_0 is provided to block all DC voltages from the circuit — insuring the controls are not “scratchy,” which results from DC charge currents in the capacitors and on the sliders. C_0 is selected to agree with system low frequency response:

$$C_0 = \frac{1}{(2\pi)(20\text{Hz})(10\text{k} + 100\text{k} + 1\text{k})} = 7.17 \times 10^{-8}$$

$$\text{Use } C_0 = 0.1\mu\text{F}$$



2.14.5 Use of Passive Tone Controls with LM387 Preamp

A typical application of passive tone controls (Figure 2.14.7) involves a discrete transistor used following the circuit to further amplify the signal as compensation for the loss through the passive circuitry. While this is an acceptable practice, a more judicious placement of the same transistor results in a superior design without increasing parts count or cost.

Placing the transistor *ahead* of the LM387 phono or tape preamplifier (Figure 2.14.8) improves the S/N ratio by boosting the signal before equalizing. An improvement of at least 3dB can be expected (analogous to operating a LM381A with single-ended biasing). The transistor selected must be low-noise, but in quantity the difference in price becomes negligible. The only precaution necessary is to allow sufficient headroom in each stage to minimize transient clipping. However, due to the excellent open-loop gain and large output swing capability of the LM387, this is not difficult to achieve.

An alternative to the transistor is to use an LM381A selected low-noise preamp. Superior noise performance is possible. (See Section 2.7.) The large gain and output swing are adequate enough to allow sufficient single-stage gain to overcome the loss of the tone controls. Figure 2.14.9 shows an application of this concept where the LM381A is used differentially. Single-ended biasing and increased current density may be used for even quieter noise voltage performance.

2.14.6 Loudness Control

A loudness control circuit compensates for the logarithmic nature of the human ear. Fletcher and Munson¹ published curves (Figure 2.14.10) demonstrating this effect. Without loudness correction, the listening experience is characterized by a pronounced loss of bass response accompanied by a slight loss of treble response as the volume level is decreased. Compensation consists of boosting the high and

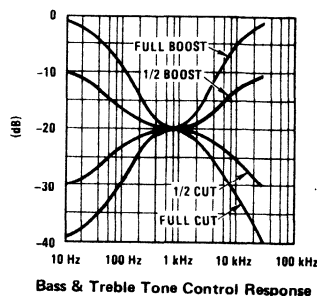


FIGURE 2.14.6 Complete Passive Bass & Treble Tone Control

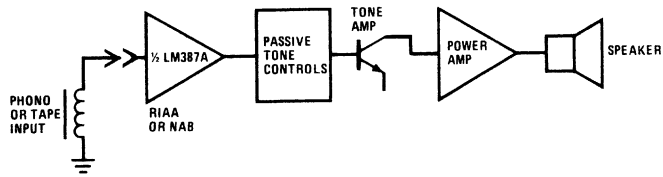


FIGURE 2.14.7 Typical Passive Tone Control Application

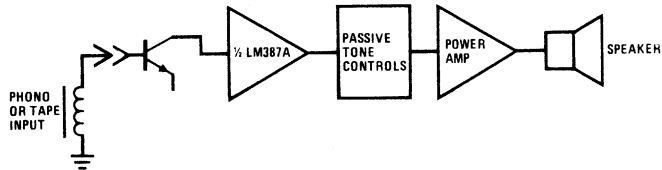


FIGURE 2.14.8 Improved Circuit Using Passive Tone Controls

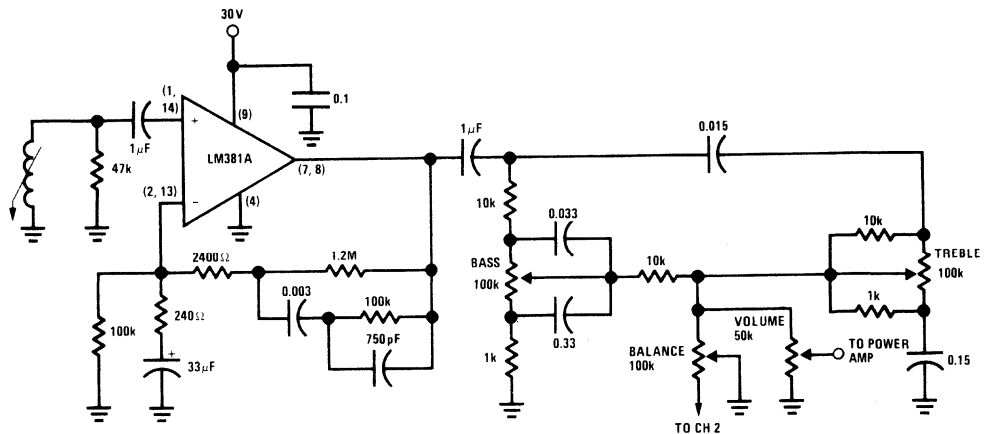


FIGURE 2.14.9 Single Channel of Complete Phono Preamp

low ends of the audio frequency band as an inverse function of volume control setting. One commonly used circuit appears as Figure 2.14.11 and uses a tapped volume pot (tap @ 10% resistance). The switchable R-C network paralleling the pot produces the frequency response shown in Figure 2.14.12 when the wiper is positioned at the tap point (i.e., mid-position for audio taper pot). As the wiper is moved further away from the tap point (louder) the paralleling circuit has less and less effect, resulting in a volume sensitive compensation scheme.

2.14.7 Active Design

Active tone control circuits offer many attractive advantages: they are inherently symmetrical about the axis in boost and cut operation; they have very low THD due to being incorporated into the negative feedback loop of the gain block, as opposed to the relatively high THD exhibited by a tone recovery transistor; and the component spread, i.e., range of values, is low.

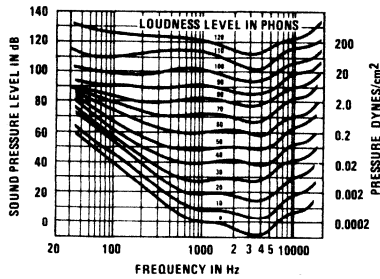


FIGURE 2.14.10 Fletcher-Munson Curves (USA). (Courtesy, Acoustical Society of America)

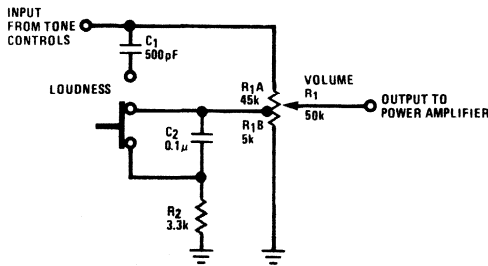


FIGURE 2.14.11 Loudness Control

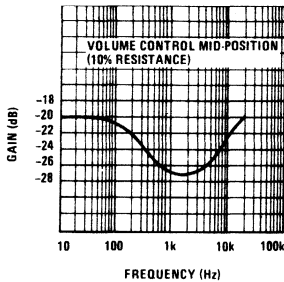


FIGURE 2.14.12 Loudness Control Frequency Response

The most common active tone control circuit is the so-called "Americanized" version of the Baxandall (1952)² negative feedback tone controls. A complete bass and treble active tone control circuit is given in Figure 2.14.13a. At very low frequencies the impedance of the capacitors is large enough that they may be considered open circuits, and the gain is controlled by the bass pot, being equal to Equations (2.14.13) and (2.14.14) at the extreme ends of travel.

$$A_{VB} = \frac{R_1 + R_2}{R_1} \quad (\text{max bass boost}) \quad (2.14.13)$$

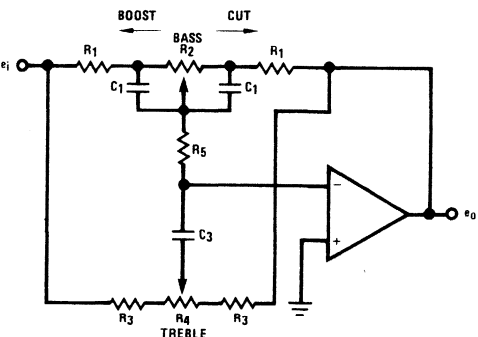
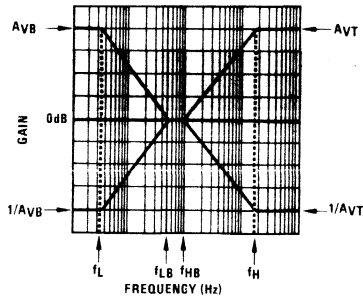
$$\frac{1}{A_{VB}} = \frac{R_1}{R_1 + R_2} \quad (\text{max bass cut}) \quad (2.14.14)$$

At very high frequencies the impedance of the capacitors is small enough that they may be considered short circuits, and the gain is controlled by the treble pot, being equal to Equations (2.14.15) and (2.14.16) at the extreme ends of travel.

$$A_{VT} = \frac{R_3 + R_1 + 2R_5}{R_3} \quad (\text{max treble boost}) \quad (2.14.15)$$

$$\frac{1}{A_{VT}} = \frac{R_3}{R_3 + R_1 + 2R_5} \quad (\text{max treble cut}) \quad (2.14.16)$$

Equations (2.14.15) and (2.14.16) are best understood by recognizing that the bass circuit at high frequencies forms a wye-connected load across the treble circuit. By doing a wye-delta transformation (see Appendix A3), the effective loading resistor is found to be $(R_1 + 2R_5)$ which is in parallel with $(R_3 + R_4)$ and dominates the expression. (See Figure 2.14.13b.) This defines a constraint upon R_4 which is expressed as Equation (2.14.17).



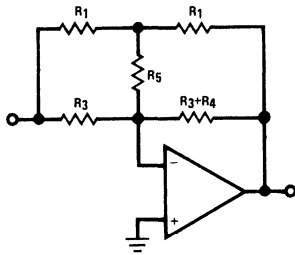
$$f_L = \frac{1}{2\pi R_2 C_1} \quad f_H = \frac{1}{2\pi R_3 C_3}$$

$$f_{LB} = \frac{1}{2\pi R_1 C_1} \quad f_{HB} = \frac{1}{2\pi (R_1 + R_3 + 2R_5) C_3}$$

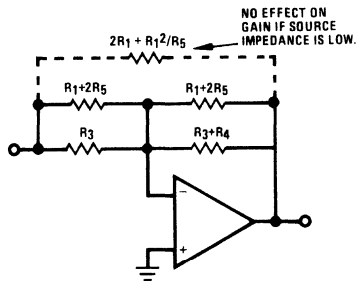
$$A_{VB} = 1 + \frac{R_2}{R_1} \quad A_{VT} = 1 + \frac{R_1 + 2R_5}{R_3}$$

ASSUMES $R_2 \gg R_1$ ASSUMES $R_4 \gg R_1 + R_3 + 2R_5$

FIGURE 2.14.13a Bass and Treble Active Tone Control



(a) High Frequency Max Treble Boost Equivalent Circuit



$$A_v = \frac{(R_1 + 2R_5) \parallel (R_3 + R_4)}{(R_1 + 2R_5) \parallel R_3} = \frac{R_3 + R_1 + 2R_5}{R_3}$$

IF $R_4 \gg R_1 + R_3 + 2R_5$

(b) High Frequency Circuit After Wye-Delta Transformation

FIGURE 2.14.13b Development of Max Treble Gain

$$R_4 \geq 10(R_3 + R_1 + 2R_5) \quad (2.14.17)$$

At low-to-middle frequencies the impedance of C_1 decreases at the rate of -6dB/octave , and is in parallel with R_2 , so the effective resistance reduces correspondingly, thereby reducing the gain. This process continues until the resistance of R_1 becomes dominant and the gain levels off at unity.

The action of the treble circuit is similar and stops when the resistance of R_3 becomes dominant. The design equations follow directly from the above.

$$C_1 = \frac{1}{2\pi f_{LB} R_1} \quad \text{assumes } R_2 \gg R_1 \quad (2.14.18)$$

$$R_2 = \frac{1}{2\pi f_L C_1} \quad (2.14.19)$$

$$C_3 = \frac{1}{2\pi f_H R_3} \quad (2.14.20)$$

$$R_5 = \frac{1}{2} \left(\frac{1}{2\pi f_{HB} C_3} - R_1 - R_3 \right) \quad (2.14.21)$$

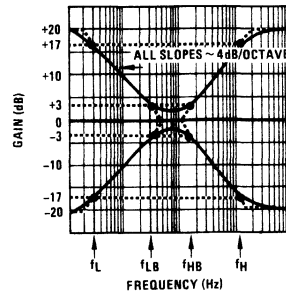
The relationship between f_L and f_{LB} and between f_H and f_{HB} is not as clear as it may first appear. As used here these frequencies represent the $\pm 3\text{dB}$ points relative to gain at midband and the extremes. To understand their relationship in the most common tone control design of $\pm 20\text{dB}$ at extremes, reference is made to Figure 2.14.14. Here it is seen what shape the frequency response will actually have. Note

that the flat (or midband) gain is not unity but approximately $\pm 2\text{dB}$. This is due to the close proximity of the poles and zeros of the transfer function. Another effect of this close proximity is that the slopes of the curves are not the expected $\pm 6\text{dB/octave}$, but actually are closer to $\pm 4\text{dB/octave}$. Knowing that f_L and f_{LB} are 14dB apart in magnitude, and the slope of the response is 4dB/octave , it is possible to relate the two. This relationship is given as Equation (2.14.22).

$$\frac{f_{LB}}{f_L} = \frac{f_H}{f_{HB}} \approx 10 \quad (2.14.22)$$

Example 2.14.2

Design a bass and treble active tone control circuit having $\pm 20\text{dB}$ gain with low frequency upper 3dB corner at 30Hz and high frequency upper 3dB corner at 10kHz .



$$\frac{f_{LB}}{f_L} = \frac{f_H}{f_{HB}} \approx 10$$

FIGURE 2.14.14 Relationship Between Frequency Breakpoints of Active Tone Control Circuit

Solution

BASS DESIGN:

1. Select $R_2 = 100\text{k}$ (linear). This is an arbitrary choice.
2. From Equation (2.14.13):

$$A_{VB} = 1 + \frac{R_2}{R_1} = 10 (+20\text{dB})$$

$$R_1 = \frac{R_2}{10 - 1} = \frac{100\text{k}}{9} = 1.11 \times 10^4$$

$$R_1 = 11\text{k}$$

3. Given $f_L = 30\text{Hz}$ and from Equations (2.14.22) and (2.14.18):

$$f_{LB} = 10f_L = 300\text{Hz}$$

$$C_1 = \frac{1}{2\pi f_{LB} R_1} = \frac{1}{(2\pi)(300)(11\text{k})} = 4.82 \times 10^{-8}$$

$$C_1 = 0.05\mu\text{F}$$

TREBLE DESIGN:

4. Let $R_5 = R_1 = 11\text{k}$. This also is an arbitrary choice.

5. From Equation (2.14.15):

$$AV_T = 1 + \frac{R_1 + 2R_5}{R_3} = 10 \text{ (+20dB)}$$

$$R_3 = \frac{R_1 + 2R_5}{10 - 1} = \frac{11k + 2(11k)}{9} = 3.67 \times 10^3$$

$$R_3 = 3.6k$$

6. Given $f_H = 10\text{kHz}$ and from Equation (2.14.20):

$$C_3 = \frac{1}{2\pi f_H R_3} = \frac{1}{(2\pi)(10\text{kHz})(3.6k)} = 4.42 \times 10^{-9}$$

$$C_3 = 0.005\mu\text{F}$$

7. From Equation (2.14.17):

$$R_4 \geq 10(R_3 + R_1 + 2R_5)$$

$$\geq 10(3.6k + 11k + 22k)$$

$$\geq 3.66 \times 10^5$$

$$R_4 = 500k$$

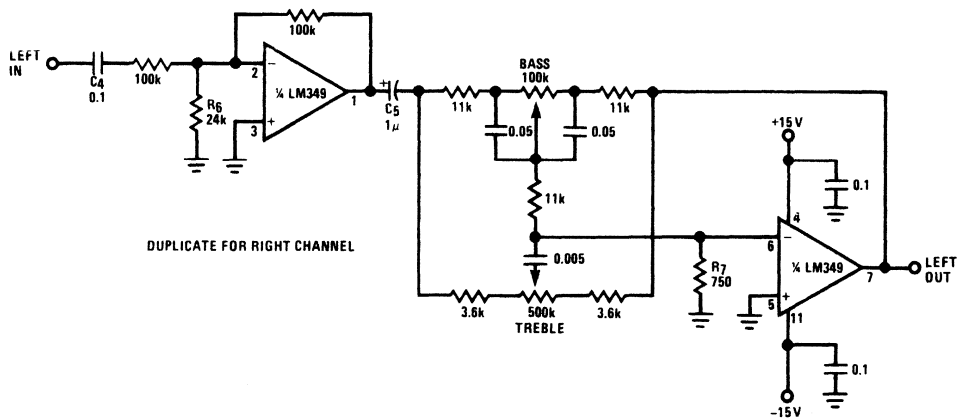
The completed design is shown in Figure 2.14.15, where the quad op amp LM349 has been chosen for the active element. The use of a quad makes for a single IC, stereo tone control circuit that is very compact and economical. The buffer amplifier is necessary to insure a low driving

impedance for the tone control circuit and creates a high input impedance ($100k\Omega$) for the source. The LM349 was chosen for its fast slew rate ($2.5V/\mu\text{s}$), allowing undistorted, full-swing performance out to $> 25\text{kHz}$. Measured THD was typically 0.05% @ 0dBm (0.77V) across the audio band. Resistors R_6 and R_7 were added to insure stability at unity gain since the LM349 is internally compensated for positive gains of five or greater. R_6 and R_7 act as input voltage dividers at high frequencies such that the actual input-to-output gain is never less than five (four if used inverting). Coupling capacitors C_4 and C_6 serve to block DC and establish low-frequency roll-off of the system; they may be omitted for direct-coupled designs.

2.14.8 Alternate Active Bass Control

Figure 2.14.16 shows an alternate design for bass control, offering the advantage of one less capacitor while retaining identical performance to that shown in Figure 2.14.13. The development of Figure 2.14.16 follows immediately from Figure 2.14.13 once it is recognized that at the extreme wiper positions one of the C_1 capacitors is shorted out and the other bridges R_2 .

The modifications necessary for application with the LM387 are shown in Figure 2.14.17 for a supply voltage of 24V . Resistors R_4 and R_5 are added to supply negative input bias as discussed in Section 2.8. The feedback coupling capacitor C_0 is necessary to block DC voltages from being fed back into the tone control circuitry and upsetting the DC bias, also to insure quiet pot operation since there are no DC level changes occurring across the capacitors, which



DUPLICATE FOR RIGHT CHANNEL

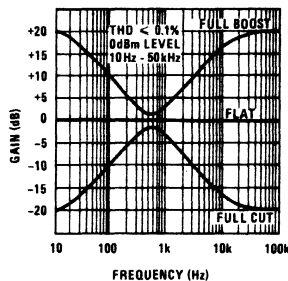


FIGURE 2.14.15 Typical Active Bass & Treble Tone Control with Buffer

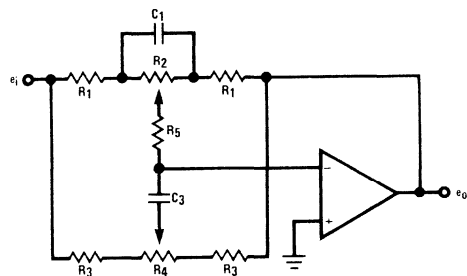
would cause "scratchiness." The R7-C3 network creates the input attenuation at high frequencies for stability.

For other supply voltages R4 is recalculated as before, leaving R5 equal to 240kΩ. It is not necessary to change R7 since its value is dictated by the high frequency equivalent impedance seen by the inverting input (equals 33kΩ).

2.14.9 Midrange Control

The addition of a midrange control which acts to boost or cut the midrange frequencies in a manner similar to the bass and treble controls offers greater flexibility in tone control.

The midrange control circuitry appears in Figure 2.14.18. It is seen that the control is a merging together of the bass and treble controls, incorporating the bass bridging capacitor and the treble slider capacitor to form a combined network. If the bass control is, in fact, a low pass filter, and the treble control a high pass filter, then the midrange is a combination of both, i.e., a bandpass filter.



BASS

$$f_L = \frac{1}{2\pi R_2 C_1}$$

$$f_{LB} = \frac{1}{2\pi R_1 C_1}$$

$$A_{VB} = 1 + \frac{R_2}{R_1}$$

TREBLE

$$f_H = \frac{1}{2\pi R_3 C_3}$$

$$f_{HB} = \frac{1}{2\pi (R_1 + R_3 + 2R_5) C_3}$$

$$A_{VT} = 1 + \frac{R_1 + 2R_5}{R_3}$$

ASSUMES $R_4 \gg R_1 + R_3 + 2R_5$

FIGURE 2.14.16 Alternate Bass Design Active Tone Control

While the additional circuitry appears simple enough, the resultant mathematics and design equations are not. In the bass and treble design of Figure 2.14.13 it is possible to include the loading effects of the bass control upon the treble circuit, make some convenient design rules, and obtain useful equations. (The treble control offers negligible load to the bass circuit.) This is possible, primarily because the frequencies of interest are far enough apart so as not to interfere with one another. Such is not the case with the midrange included. Any two of the controls appreciably loads the third. The equations that result from a detailed analysis of Figure 2.14.18 become so complex that they are useless for design. So, as is true with much of real-world engineering, design is accomplished by empirical (i.e., trial-and-error) methods. The circuit of Figure 2.14.18 gives the performance shown by the frequency plot, and should be optimum for most applications. For those who feel a change is necessary, the following guidelines should make it easier.

1. To increase (or decrease) midrange gain, decrease (increase) R6. This will also shift the midrange center frequency higher (lower). (This change has minimal effect upon bass and treble controls.)
2. To move the midrange center frequency (while preserving gain, and with negligible change in bass and treble performance), change both C4 and C5. Maintain the relationship that $C_5 \approx 5C_4$. Increasing (decreasing) C5 will decrease (increase) the center frequency. The amount of shift is approximately equal to the inverse ratio of the new capacitor to the old one. For example, if the original capacitor is C5 and the original center frequency is f0, and the new capacitor is C5' with the new frequency being f0', then

$$\frac{C_5'}{C_5} \approx \frac{f_0}{f_0'}$$

The remainder of Figure 2.14.18 is as previously described in Figure 2.14.15.

The temptation now arises to add a fourth section to the growing tone control circuitry. It should be avoided. Three paralleled sections appears to be the realistic limit to what can be expected with one gain block. Beyond three, it is best to separate the controls and use a separate op amp with each control and then sum the results. (See Section 2.17 on equalizers for details.)

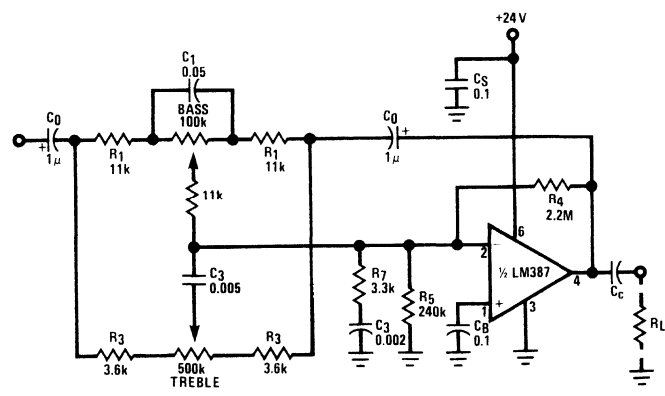
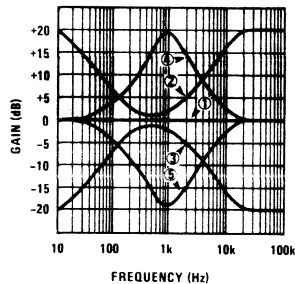
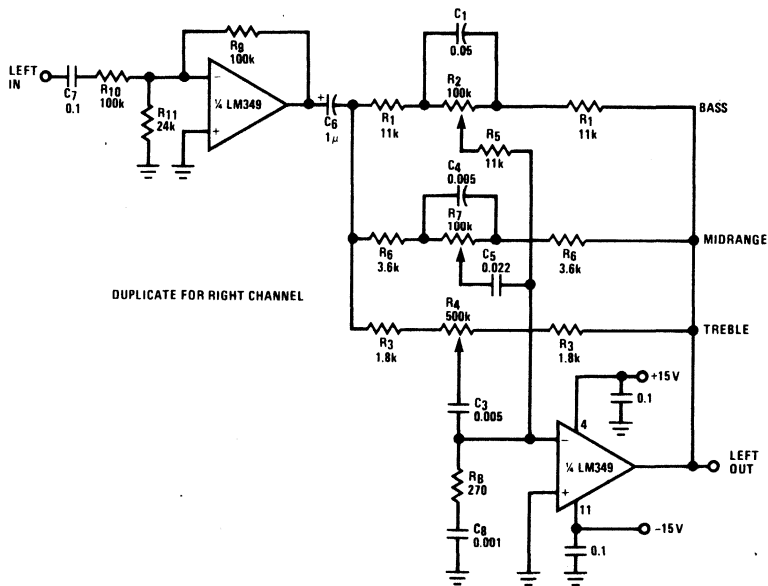


FIGURE 2.14.17 LM387 Feedback Tone Controls



- ① ALL CONTROLS FLAT
- ② BASS & TREBLE BOOST, MID FLAT
- ③ BASS & TREBLE CUT, MID FLAT
- ④ MID BOOST, BASS & TREBLE FLAT
- ⑤ MID CUT, BASS & TREBLE FLAT

FIGURE 2.14.18 Three Band Active Tone Control (Bass, Midrange & Treble)

REFERENCES

1. Fletcher, H., and Munson, W. A., "Loudness, Its Definition, Measurement and Calculation," *J. Acoust. Soc. Am.*, vol. 5, p. 82, October 1933.
2. Baxandall, P. J., "Negative Feedback Tone Control – Independent Variation of Bass and Treble Without Switches," *Wireless World*, vol. 58, no. 10, October 1952, p. 402.

2.15 SCRATCH, RUMBLE AND SPEECH FILTERS

2.15.1 Introduction

Infinite-gain, multiple-feedback active filters using LM387 (or LM381) as the active element make simple low-cost audio filters. Two of the most popular filters found in audio equipment are SCRATCH (low pass), used to roll off excess high frequency noise appearing as hiss, ticks and pops from worn records, and RUMBLE (high pass), used to roll off low frequency noise associated with worn turntable and tape transport mechanisms. By combining low and high pass filter sections, a broadband bandpass filter is created such as that required to limit the audio bandwidth to include only speech frequencies (300 Hz-3 kHz)

2.15.2 Definition of ω_c and ω_0 for 2-Pole Active Filters

When working with active filter equations, much confusion exists about the difference between the terms ω_0 and ω_c . The center frequency, f_0 , equals $\omega_0/2\pi$ and has meaning only for *bandpass* filters. The term ω_c and its associated frequency, f_c , is the cutoff frequency of a high or low pass filter defined as the point at which the magnitude of the response is -3dB from that of the passband (i.e., 0.707 times the passband value). Figure 2.15.1 illustrates the two cases for two-pole filters.

Equally confusing is the concept of "Q" in relation to high and low pass two-pole active filters. The design equations contain Q; therefore it must be determined before a filter

can be realized – but what does it mean? For bandpass filters the meaning of Q is clear; it is the ratio of the center frequency, f_0 , to the -3dB bandwidth. For low and high pass filters, Q only has meaning with regard to the amount of peaking occurring at f_0 and the relationship between the -3dB frequency, f_c , and f_0 .

The relationship that exists between ω_0 and ω_c follows:

$$\text{High Pass } \omega_c = \frac{\omega_0}{\beta} \quad (2.15.1)$$

$$\text{Low Pass } \omega_c = \beta \omega_0 \quad (2.15.2)$$

$$\beta = \sqrt{\left(1 - \frac{1}{2Q^2}\right) + \sqrt{\left(1 - \frac{1}{2Q^2}\right)^2 + 1}} \quad (2.15.3)$$

A table showing various values of β for several different values of Q is provided for convenience (Table 2.15.1). Notice that $\omega_c = \omega_0$ only for the Butterworth case ($Q = 0.707$). Since Butterworth filters are characterized by a maximally flat response (no peaking like that diagrammed in Figure 2.15.1), they are used most often in audio systems.

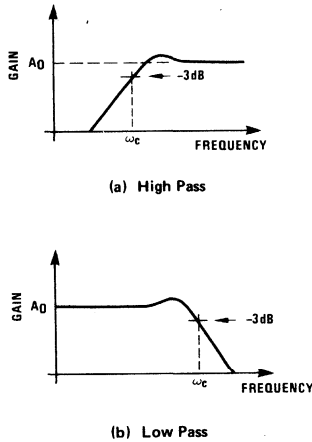


FIGURE 2.15.1 Definition of ω_c for Low and High Pass Filters

TABLE 2.15.1 ω_c vs. Q

Q	ω_c vs. Q	
	Low-Pass	High-Pass
0.707*	1.000 ω_0	1.000 ω_0
1	1.272 ω_0	0.786 ω_0
2	1.498 ω_0	0.668 ω_0
3	1.523 ω_0	0.657 ω_0
4	1.537 ω_0	0.651 ω_0
5	1.543 ω_0	0.648 ω_0
10	1.551 ω_0	0.645 ω_0
100	1.554 ω_0	0.644 ω_0

* Butterworth

Substitution of f_c for f_0 in Butterworth filter design equations is therefore permissible and experimental results will agree with calculations – but only for Butterworth.

Always use Equations (2.15.1)-(2.15.3) (or Table 2.15.1) when Q equals anything other than 0.707.

2.15.3 High Pass Design

An LM387 configured as a high-pass filter is shown in Figure 2.15.2. Design procedure is to select R_2 and R_3 per Section 2.8 to provide proper bias; then, knowing desired passband gain, A_0 , the Q and the corner frequency f_c , the remaining components are calculated from the following:

Calculate ω_0 from $\omega_c = 2\pi f_c$ and Q using Equations (2.15.1) and (2.15.3) (or Table 2.15.1).

$$\text{Let } C_1 = C_3$$

Then:

$$C_1 = \frac{Q}{\omega_0 R_2} (2A_0 + 1) \quad (2.15.4)$$

$$C_2 = \frac{C_1}{A_0} \quad (2.15.5)$$

$$R_1 = \frac{1}{Q \omega_0 C_1 (2A_0 + 1)} \quad (2.15.6)$$

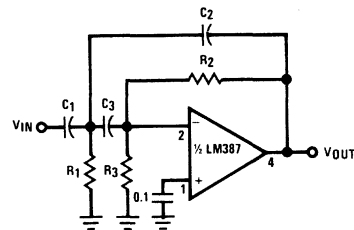
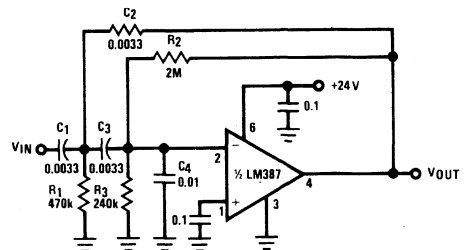


FIGURE 2.15.2 LM387 High Pass Active Filter



$f_c = 50\text{ Hz}$
 SLOPE = -12 dB/OCTAVE
 $A_0 = -1$
 THD $< 0.1\%$

FIGURE 2.15.3 Rumble Filter Using LM387

Example 2.15.1

Design a two-pole active high pass filter for use as a rumble filter. Passband gain, $A_0 = 1$, $Q = 0.707$ (Butterworth) and corner frequency, $f_c = 50\text{ Hz}$. Supply $V_s = +24\text{ V}$.

Solution

1. Select $R_3 = 240k$.

2. From Section 2.8,

$$R_2 = \left(\frac{V_s}{2.6} - 1 \right) R_3 = \left(\frac{24}{2.6} - 1 \right) 240k = 1.98 \times 10^6$$

Use $R_2 = 2M$

3. Since $Q = 0.707$, $\omega_o = \omega_c = 2\pi f_c$ (see Table 2.15.1).

4. Let $C_1 = C_3$.

5. From Equation (2.15.4):

$$C_1 = \frac{(0.707)(2+1)}{(2\pi)(50)(2 \times 10^6)} = 3.38 \times 10^{-9}$$

Use $C_1 = C_3 = 0.0033\mu F$

6. From Equation (2.15.5):

$$C_2 = \frac{C_1}{(1)} = C_1 = 0.0033\mu F$$

7. From Equation (2.15.6):

$$R_1 = \frac{1}{(0.707)(2\pi)(50)(0.0033 \times 10^{-6})(2+1)}$$

$$= 45.5 \times 10^4$$

Use $R_1 = 470k\Omega$.

The final design appears as Figure 2.15.3. For checking and trimming purposes Equation (2.15.7) is useful:

$$f_c = \frac{1}{2\pi C_1 \sqrt{R_1 R_2}} \quad (2.15.7)$$

Capacitor $C_4 = 0.01$ is included to guarantee high frequency stability for unity gain designs (required for $A_o \leq 10$).

2.15.4 Low Pass Design

The low pass configuration for a LM387 is shown in Figure 2.15.4. Design procedure is almost the reverse of the high pass case since biasing resistor R_4 will be selected last. Knowing A_o , Q and f_c , proceed by calculating a constant K per Equation (2.15.8).

$$K = \frac{1}{4Q^2(A_o + 1)} \quad (2.15.8)$$

Arbitrarily select C_1 to be a convenient value.

$$\text{Then: } C_2 = KC_1 \quad (2.15.9)$$

Calculate ω_o from $\omega_c = 2\pi f_c$ and Q using Equations (2.15.1) and (2.15.3) (or Table 2.15.1).

Then:

$$R_2 = \frac{1}{2Q\omega_o C_1 K} \quad (2.15.10)$$

$$R_3 = \frac{R_2}{A_o + 1} \quad (2.15.11)$$

$$R_1 = \frac{R_2}{A_o} \quad (2.15.12)$$

$$R_4 = \frac{R_2 + R_3}{\left(\frac{V_s}{2.6} - 1 \right)} \quad (2.15.13)$$

Example 2.15.2

Design a two-pole active low-pass filter for use as a scratch filter. Passband gain, $A_o = 1$, $Q = 0.707$ (Butterworth) and corner frequency $f_c = 10kHz$. Supply $V_s = +24V$.

Solution

1. From Equation (2.15.8):

$$K = \frac{1}{(4)(0.707)^2(1+1)} = 0.25$$

2. Select $C_1 = 560pF$ (arbitrary choice).

3. From Equation (2.15.9):

$$C_2 = KC_1 = (0.25)(560pF) = 140pF$$

Use $C_2 = 150pF$

4. Since $Q = 0.707$, $\omega_o = \omega_c = 2\pi f_c$ (see Table 2.15.1).

5. From Equation (2.15.10):

$$R_2 = \frac{1}{(2)(0.707)(2\pi)(10kHz)(560pF)(0.25)} = 80.4k$$

Use $R_2 = 82k$

6. From Equation (2.15.11):

$$R_3 = \frac{82k}{2} = 41k$$

Use $R_3 = 39k$

7. From Equation (2.15.12):

$$R_1 = \frac{R_2}{1} = R_2 = 82k$$

8. From Equation (2.15.13):

$$R_4 = \frac{82k + 39k}{\left(\frac{24}{2.6} - 1 \right)} = 14.7k$$

Use $R_4 = 15k$

The complete design (Figure 2.15.5) includes C_3 for stability and input blocking capacitor C_4 . Checking and trimming can be done with the aid of Equation (2.15.14).

$$f_o = \frac{Q}{\pi C_1} \sqrt{\frac{A_o + 1}{R_2 R_3}} \quad (2.15.14)$$

2.15.5 Speech Filter

A speech filter consisting of a highpass filter based on Section 2.15.2, in cascade with a low pass based on Section 2.15.3, is shown in Figure 2.15.6 with its frequency response as Figure 2.15.7. The corner frequencies are 300Hz and 3kHz with roll-off of $-40dB/decade$ beyond the corners. Measured THD was 0.07% with a 0dBm signal of 1kHz. Total output noise with input shorted was $150\mu V$ and is

2

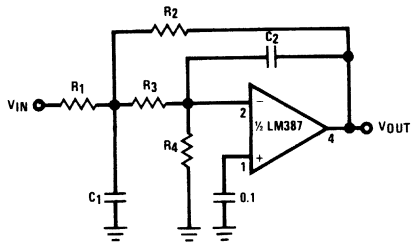


FIGURE 2.15.4 LM387 Low Pass Active Filter

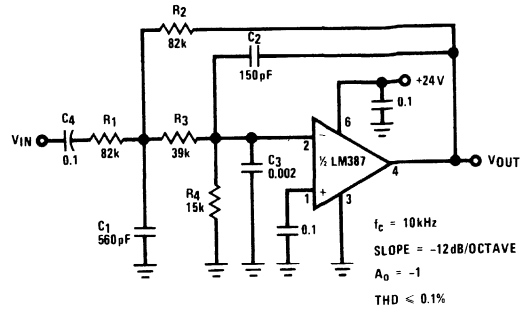


FIGURE 2.15.5 Scratch Filter Using LM387

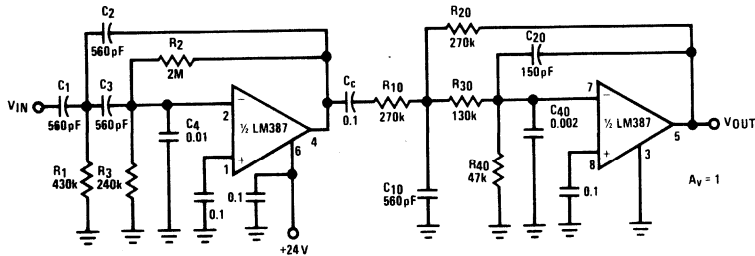


FIGURE 2.15.6 Speech Filter (300Hz-3kHz Bandpass)

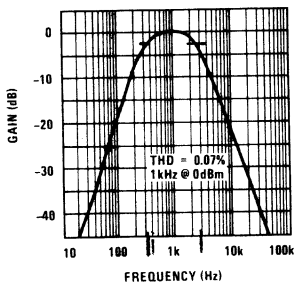


FIGURE 2.15.7 Speech Filter Frequency Response

due mostly to thermal noise of the resistors, yielding S/N of 74dBm. The whole filter is very compact since the LM387 dual preamp is packaged in the 8-pin minidip, making tight layout possible.

2.16 BANDPASS ACTIVE FILTERS

Narrow bandwidth bandpass active filters do not require cascading of low and high pass sections as described in Section 2.15.4. A single amplifier bandpass filter using the LM387 (Figure 2.16.1) is capable of $Q \leq 10$ for audio frequency low distortion applications. The wide gain bandwidth (20MHz) and large open loop gain (104dB) allow high frequency, low distortion performance unobtainable with conventional op amps.

Beginning with the desired f_0 , A_0 and Q , design is straightforward. Start by selecting R_3 and R_4 per Section 2.8, *except use 24kΩ as an upper limit of R_4 (instead of 240kΩ)*. This minimizes loading effects of the LM387 for high Q designs.

Let $C_1 = C_2$. Then:

$$R_1 = \frac{R_3}{2 A_0} \quad (2.16.1)$$

$$C_1 = \frac{Q}{A_0 \omega_0 R_1} \quad (2.16.2)$$

$$R_2 = \frac{Q}{(2Q^2 - A_0) \omega_0 C_1} \quad (2.16.3)$$

For checking and trimming, use the following:

$$A_0 = \frac{R_3}{2R_1} \quad (2.16.4)$$

$$f_0 = \frac{1}{2\pi C_1} \sqrt{\frac{R_1 + R_2}{R_1 R_2 R_3}} \quad (2.16.5)$$

$$Q = \frac{1}{2} \omega_0 R_3 C_1 \quad (2.16.6)$$

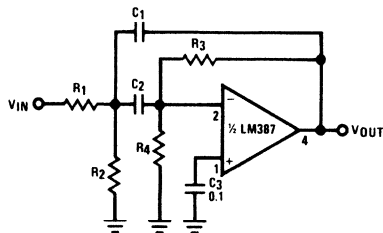


FIGURE 2.16.1 LM387 Bandpass Active Filter

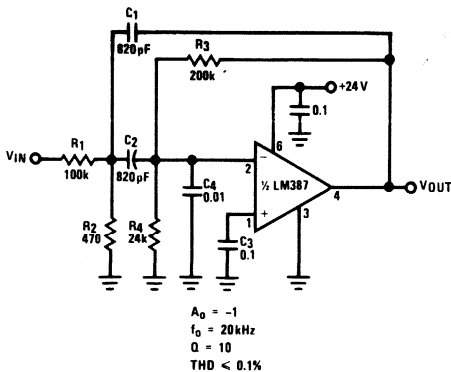


FIGURE 2.16.2 20kHz Bandpass Active Filter

Example 2.16.1

Design a two-pole active bandpass filter with a center frequency $f_0 = 20\text{kHz}$, midband gain $A_0 = 1$, and a bandwidth of 2000Hz . A single supply, $V_s = 24\text{V}$, is to be used.

Solution

- $Q \triangleq \frac{f_0}{\text{BW}} = \frac{20\text{kHz}}{2000\text{Hz}} = 10, \quad \omega_0 = 2\pi f_0$
- Let $R_4 = 24\text{k}\Omega$.
- $R_3 = \left(\frac{V_s}{2.6} - 1\right) R_4 = \left(\frac{24}{2.6} - 1\right) 24\text{k} = 1.98 \times 10^5$

Use $R_3 = 200\text{k}$

4. From Equation (2.16.1):

$$R_1 = \frac{R_3}{2A_0} = \frac{200\text{k}}{2} = 100\text{k}$$

$$R_1 = 100\text{k}$$

5. Let $C_1 = C_2$; then, from Equation (2.16.2):

$$C_1 = \frac{Q}{A_0 \omega_0 R_1} = \frac{10}{(1)(2\pi)(20\text{k})(1 \times 10^5)} = 796\text{pF}$$

$$\text{Use } C_1 = 820\text{pF}$$

100k, 0.1µF

6. From Equation (2.16.3):

$$R_2 = \frac{Q}{(2Q^2 - A_0) \omega_0 C_1} = \frac{10}{[(2)(10)^2 - 1] (2\pi)(20\text{k})(820\text{pF})} = 488\Omega$$

$$\text{Use } R_2 = 470\Omega$$

The final design appears as Figure 2.16.2. Capacitor C_3 is used to AC ground the positive input and can be made equal to $0.1\mu\text{F}$ for all designs. Input shunting capacitor C_4 is included for stability since the design gain is less than 10.

2.17 OCTAVE EQUALIZER

An octave equalizer offers the user several bands of tone control, separated an octave apart in frequency with independent adjustment of each. It is designed to compensate for any unwanted amplitude-frequency or phase-frequency characteristics of an audio system.

The midrange tone control circuit described in Section 2.14 can be used separately to make a convenient ten band octave equalizer. Design equations result from a detailed analysis of Figure 2.17.1, where a typical section is shown. Resistors R_3 have been added to supply negative input DC bias currents, and to guarantee unity gain at low frequencies. This circuit is particularly suited for equalizer applications since it offers a unique combination of results depending upon the slider position of R_2 . With R_2 in the flat position (i.e., centered) the circuit becomes an all-pass with unity gain; moving R_2 to full boost results in a bandpass characteristic, while positioning R_2 in full cut creates a band-reject (notch) filter.

Writing the transfer function for Figure 2.17.1 in its general form for max boost (assuming only $R_3 \gg R_1$) results in Equation (2.17.1).

$$\frac{e_o}{e_i} = \frac{S^2 + \left[\frac{2R_1 R_2 C_1 + R_3 (R_1 + R_2) C_2}{R_1 R_2 R_3 C_1 C_2} \right] S + \frac{2R_1 + R_2}{R_1 R_2 R_3 C_1 C_2}}{S^2 + \left[\frac{(R_1 + R_2) C_2 + 2R_2 C_1 + R_3 C_2}{R_2 R_3 C_1 C_2} \right] S + \frac{2R_1 + R_2}{R_1 R_2 R_3 C_1 C_2}} \quad (2.17.1)$$

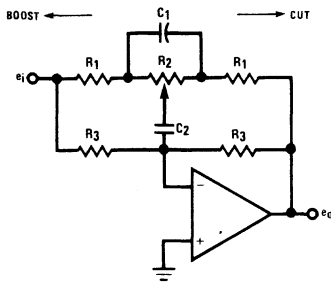


FIGURE 2.17.1 Typical Octave Equalizer Section

Equation (2.17.1) has the form of Equation (2.17.2):

$$\frac{e_o}{e_i} = - \frac{S^2 + K2\rho\omega_0S + \omega_0^2}{S^2 + 2\rho\omega_0S + \omega_0^2} \quad (2.17.2)$$

where: $Q = \frac{1}{2\rho}$, $A_o = \text{gain @ } f_o = K$, $\omega_o = 2\pi f_o$

Equating coefficients yields Equations (2.17.3)-(2.17.5):

$$\omega_o = \sqrt{\frac{2R_1 + R_2}{R_1 R_2 R_3 C_1 C_2}} \quad (2.17.3)$$

$$A_o = - \frac{2R_1 R_2 C_1 + R_3(R_1 + R_2) C_2}{2R_1 R_2 C_1 + R_1(R_2 + R_3) C_2} \quad (2.17.4)$$

$$Q = \sqrt{\frac{2R_1 + R_2}{R_1 R_2 R_3 C_1 C_2} \left(\frac{R_2 R_3 C_1 C_2}{(R_1 + R_2) C_2 + 2R_2 C_1 + R_3 C_2} \right)} \quad (2.17.5)$$

In order to reduce these equations down to something useful, it is necessary to examine what is required of the finished equalizer in terms of performance. For normal home use, $\pm 12\text{dB}$ of boost and cut is adequate, which means only a moderate amount of passband gain is necessary; and since the filters will be centered one octave apart in frequency a large Q is not necessary ($Q = 1-2$ works fine). What is desirable is for the passband ripple (when all filters are at maximum) to be less than 3dB.

Examination of Equation (2.17.5) in terms of optimizing the ratio of C_1 and C_2 in order to maximize Q shows a good choice is to let $C_1 = 10C_2$. A further design rule that is reasonable is to make $R_3 = 10R_2$, since R_3 is unnecessary for the filter section. Applying these rules to Equations (2.17.3)-(2.17.5) produces some useful results:

$$\omega_o = 2\pi f_o = \frac{1}{10R_2 C_2} \sqrt{2 + \frac{R_2}{R_1}} \quad (2.17.6)$$

$$A_o = 1 + \frac{R_2}{3R_1} \quad (2.17.7)$$

$$Q = \sqrt{\frac{2R_1 + R_2}{9.61R_1}} \quad (2.17.8)$$

Rewriting (2.17.7) and (2.17.8) yields:

$$R_2 = 3(A_o - 1)R_1 \quad (2.17.9)$$

$$R_2 = (9.61Q^2 - 2)R_1 \quad (2.17.10)$$

Combining (2.17.9) and (2.17.10) gives:

$$A_o = \left(\frac{9.61Q^2 - 2}{3} \right) + 1 \quad (2.17.11)$$

From Equation (2.17.11) it is seen that gain and Q are intimately related and that large gains mean large Q s and vice versa. Equations (2.17.9) and (2.17.10) show that R_1 and R_2 are not independent, which means one may be arbitrarily selected and from it (knowing A_o and/or Q) the other is found.

Design

1. Select $R_2 = 100k$.
2. $R_3 = 10R_2 = 10(100k)$
 $R_3 = 1 \text{ Meg}$
3. Let $A_o = 12\text{dB} = 4\text{V/V}$ and from Equation (2.17.9):

$$R_1 = \frac{R_2}{3(A_o - 1)} = \frac{100k}{3(4 - 1)} = 1.11 \times 10^4$$

Use $R_1 = 10k$.

4. Check Q from Equation (2.17.8):

$$Q = \sqrt{\frac{2(10k) + 100k}{(9.61)(10k)}}$$

$Q = 1.12$, which is satisfactory.

5. Calculate C_2 from Equation (2.17.6) and $C_1 = 10C_2$:

$$C_2 = \frac{1}{2\pi f_o (10R_2)} \sqrt{2 + \frac{R_2}{R_1}}$$

$$C_2 = \frac{1}{2\pi f_o (10)(100k)} \sqrt{2 + \frac{100k}{10k}}$$

$$C_2 = \frac{5.513 \times 10^{-7}}{f_o}$$

A table of standard values for C_1 and C_2 vs. f_o is given below:

TABLE 2.17.1

f_o (Hz)	C_1	C_2
32	0.18 μF	0.018 μF
64	0.1 μF	0.01 μF
125	0.047 μF	0.0047 μF
250	0.022 μF	0.0022 μF
500	0.012 μF	0.0012 μF
1k	0.0056 μF	560 pF
2k	0.0027 μF	270 pF
4k	0.0015 μF	150 pF
8k	680 pF	68 pF
16k	360 pF	36 pF

The complete design appears as Figure 2.17.2. While it appears complicated, it is really just repetitious. By using quad amplifier ICs, the whole thing consists of only three integrated circuits. Figure 2.17.2 is for one channel and would be duplicated for a stereo system. The input buffer amplifier guarantees a low source impedance to drive the equalizer and presents a large input impedance for the preamplifier. Resistor R_8 is necessary to stabilize the LM349 while retaining its fast slew rate ($2V/\mu s$). The output amplifier is a unity gain, inverting summer used to add each equalized octave of frequencies back together again. One aspect of the summing circuit that may appear odd is that the original signal is subtracted from the sum via R_{20} . (It is subtracted rather than added because each equalizer section inverts the signal relative to the output of the buffer and R_{20} delivers the original signal without inverting.) The reason this subtraction is necessary

is in order to maintain a unity gain system. Without it the output would equal ten times the input, e.g., an input of 1V, with all pots flat, would produce 1V at each equalizer output — the sum of which is 10V. By scaling R_{20} such that the input signal is multiplied by 9 before the subtraction, the output now becomes $10V - 9V = 1V$ output, i.e., unity gain. The addition of R_4 to each section is for stability. Capacitor C_3 minimizes possibly large DC offset voltages from appearing at the output. If the driving source has a DC level then an input capacitor is necessary ($0.1\mu F$), and similarly, if the load has a DC level, then an output capacitor is required.

It is possible to generate just about any frequency response imaginable with this ten band octave equalizer. A few possibilities are given in Figure 2.17.3.

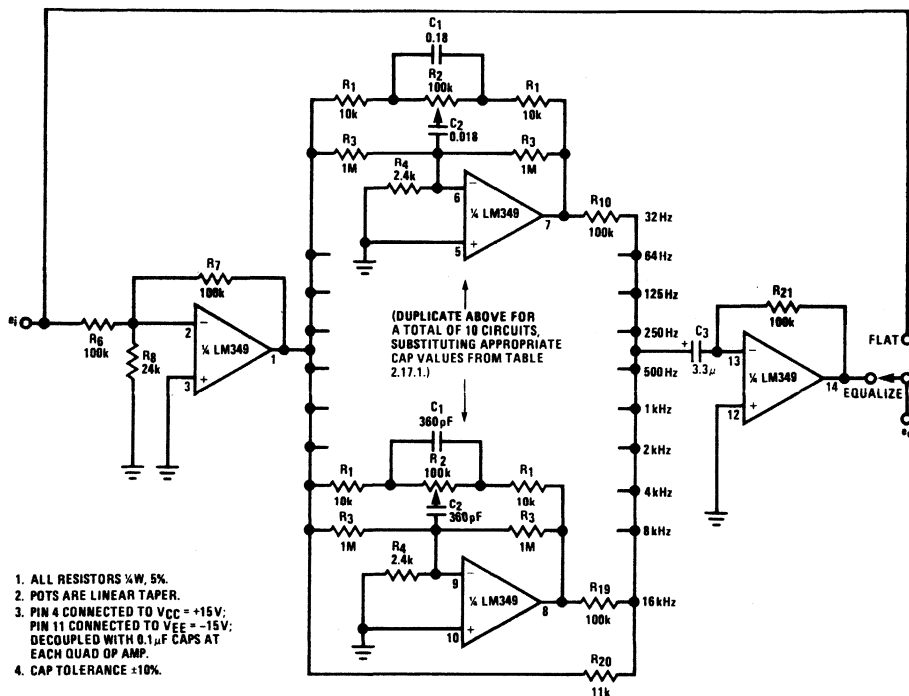


FIGURE 2.17.2 Ten Band Octave Equalizer

- ALL CONTROLS FLAT
- 500Hz BOOST/CUT, ALL OTHERS FLAT
- 1kHz BOOST/CUT, ALL OTHERS FLAT
- 500Hz, 1kHz, 2kHz, 4kHz BOOSTED, ALL OTHERS FLAT

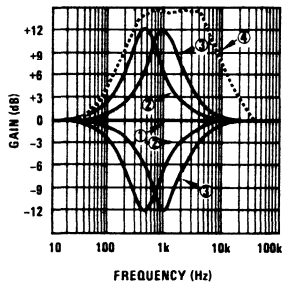


FIGURE 2.17.3 Typical Frequency Response of Equalizer

2.17.1 Pink Noise Generator

Once an equalizer is incorporated into a music system the question quickly arises as to how best to use it. The most obvious way is as a "super tone control" unit, where control is now extended from the familiar two or three controls to ten controls (or even 30 if 1/3 octave equalizers are used). While this approach is most useful and the results are dramatic in their ability to "liven" up a room, there still remains, with many, the desire to have some controlled manner in which to equalize the listening area without resorting to the use of expensive (and complicated) spectrum or real-time analyzers.

The first step in generating a self-contained room equalizing instrument is to design a pink noise generator to be used as a controlled source of noise across the audio spectrum. With the advent of medium scale integration and MOS digital technology, it is quite easy to create a pink noise generator using only one IC and a few passive components.

The MM5837 digital noise source is an MOS/MSI pseudo-random sequence generator, designed to produce a broadband white noise signal for audio applications. Unlike traditional semiconductor junction noise sources, the MM5837 provides very uniform noise quality and output amplitude. Originally designed for electronic organ and synthesizer applications, it can be directly applied to room equalization. Figure 2.17.4 shows a block diagram of the internal circuitry of the MM5837.

The output of the MM5837 is broadband white noise. In order to generate pink noise it is necessary to understand the difference between the two. *White noise* is characterized by a +3dB rise in amplitude per octave of frequency change (equal energy per constant bandwidth). *Pink noise* has flat amplitude response per octave change of frequency (equal energy per octave). Pink noise allows correlation between successive octave equalizer stages by insuring the same voltage amplitude is used each time as a reference standard.

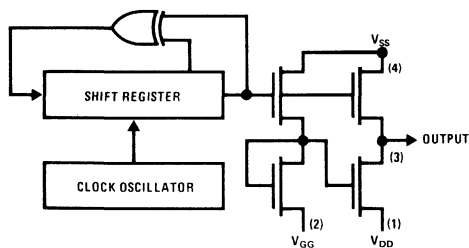


FIGURE 2.17.4 MM5837 Noise Source

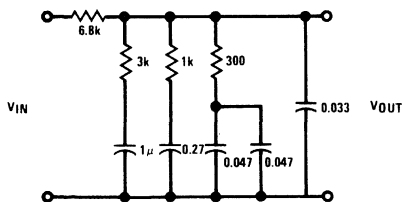


FIGURE 2.17.5 Passive -3dB/Octave Filter

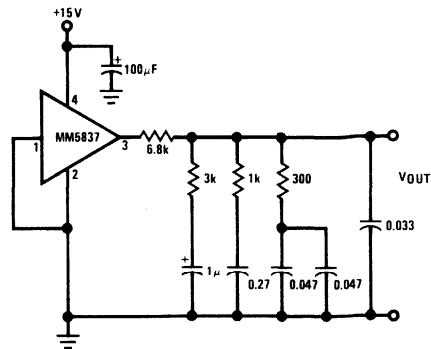
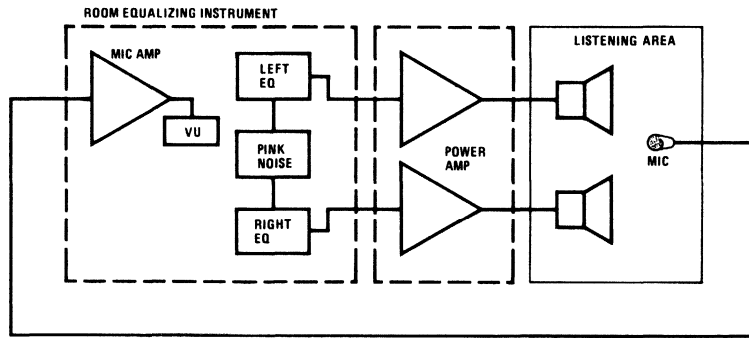


FIGURE 2.17.6 Pink Noise Generator

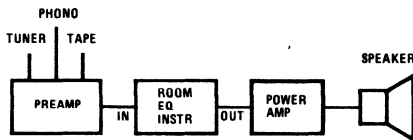
What is required to produce pink noise from a white noise source is simply a -3dB/octave filter. If capacitive reactance varies at a rate of -6dB/octave then how can a slope of *less* than -6dB/octave be achieved? The answer is by cascading several stages of lag compensation such that the zeros of one stage partially cancel the poles of the next stage, etc. Such a network is shown as Figure 2.17.5 and exhibits a -3dB/octave characteristic ($\pm 1/4$ dB) from 10Hz to 40kHz. The complete pink noise generator is given by Figure 2.17.6 and gives a flat spectral distribution over the audio band of 20Hz to 20kHz. The output at pin 3 is a 11.5V_{p-p} random pulse train which is attenuated by the filter. Actual output is about 1V_{p-p} AC pink noise riding on a 8.5V DC level.

2.17.2 Room Equalizing Instrument

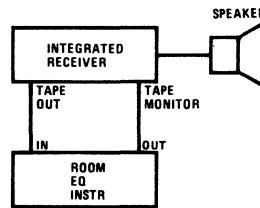
For a room equalizing instrument, a different type of equalizer section is required than that previously described under the Ten Band Octave Equalizer section. The difference lies in the necessary condition that each section must pass *only* its bandwidth of frequencies, i.e., the all-pass characteristic of Figure 2.17.1 is unacceptable. The reason for this is that to use this instrument all but one band will be switched out and under this condition the pink noise will be passed through the remaining filter and it must pass only its octave of noise. The filtered noise is passed on to the power amplifier and reproduced into the room by the speaker. A microphone with flat audio band frequency response (but uncalibrated) is used to pick up the noise at some central listening point. The microphone input is amplified and used to drive a VU meter where some (arbitrary) level is established via the potentiometer of the filter section. This filter section is then switched out and the next one is switched in. Its potentiometer is adjusted such that the VU meter reads the same as before. Each filter section in turn is switched in, adjusted, and switched out, until all ten octaves have been set. The whole process takes about two minutes. When finished the room response will be equalized flat for each octave of frequencies. From here it becomes personal preference whether the high end is rolled off (a common practice) or the low end is boosted. It allows for greater experimentation since it is very easy to go back to a known (flat) position. It is also easy to correct for new alterations within the listening room (drape changes, new rugs, more furniture, different speaker placement, etc.). Since all adjustments are made relative to each other, the requirement for expensive, calibrated microphones is obviated. Almost any microphone with flat output over frequency will work.



(a) Stereo Application



(b) Adding EQ to Component System



(c) Adding EQ to Receiver System

FIGURE 2.17.7 Typical Equalizing Instrument Application

For stereo applications, a two channel instrument is required as diagrammed in Figure 2.17.7a. Figures 2.17.7b and -c show typical placement of the equalizer unit within existing systems.

While any bandpass filter may be used for the filter sections, the multiple-feedback, infinite-gain configuration of Figure 2.17.8 is chosen for its low sensitivity factors. The design equations appear as follows:

$$R_1 = \frac{Q}{2\pi f_0 A_0 C_1} \quad (2.17.12)$$

$$R_2 = \frac{Q}{(2Q^2 - A_0) 2\pi f_0 C_1} \quad (2.17.13)$$

$$R_3 = \frac{Q}{\pi f_0 C_1} \quad (2.17.14)$$

$$A_0 = \frac{R_3}{2R_1} \quad (2.17.15)$$

$$Q = \pi f_0 C_1 R_3 \quad (2.17.16)$$

$$f_0 = \frac{1}{2\pi C_1} \sqrt{\frac{R_1 + R_2}{R_1 R_2 R_3}} \quad (2.17.17)$$

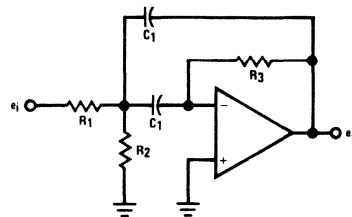


FIGURE 2.17.8 Bandpass Filter Section

Design

1. Select $A_0 = 4$ (12dB) and $Q = 2$.
2. Select R_1 for desired input resistance. (Note that net input impedance is $(R_1 + R_2)/10$, since there are 10 sections in parallel.)
Let $R_1 = 120k$.
3. Calculate R_2 from Equations (2.17.13) and (2.17.12):

$$R_2 = \frac{Q}{(2Q^2 - A_0) 2\pi f_0 C_1} = \frac{Q}{[2(2)^2 - 4] 2\pi f_0 C_1}$$

$$= \frac{Q}{(4) 2\pi f_0 C_1} = \frac{Q}{2\pi f_0 A_0 C_1} = R_1$$

$$R_2 = R_1 = 120k$$

4. Calculate R_3 from Equation (2.17.15).

$$R_3 = 2A_o R_1 = 8R_1 = 8(120k) = 960k$$

Use $R_3 = 1$ Meg.

5. Calculate C_1 from Equation (2.17.12):

$$C_1 = \frac{Q}{2\pi f_o A_o R_1} = \frac{2}{(2\pi f_o)(4)(120k)}$$

$$C_1 = \frac{6.63 \times 10^{-7}}{f_o}$$

A table of standard values for C_1 vs. f_o is given below.

TABLE 2.17.2

f_o (Hz)	C_1
32	0.022 μ F
64	0.011 μ F
125	0.0056 μ F
250	0.0027 μ F
500	0.0015 μ F
1k	680 pF
2k	330 pF
4k	160 pF
8k	82 pF
16k	43 pF

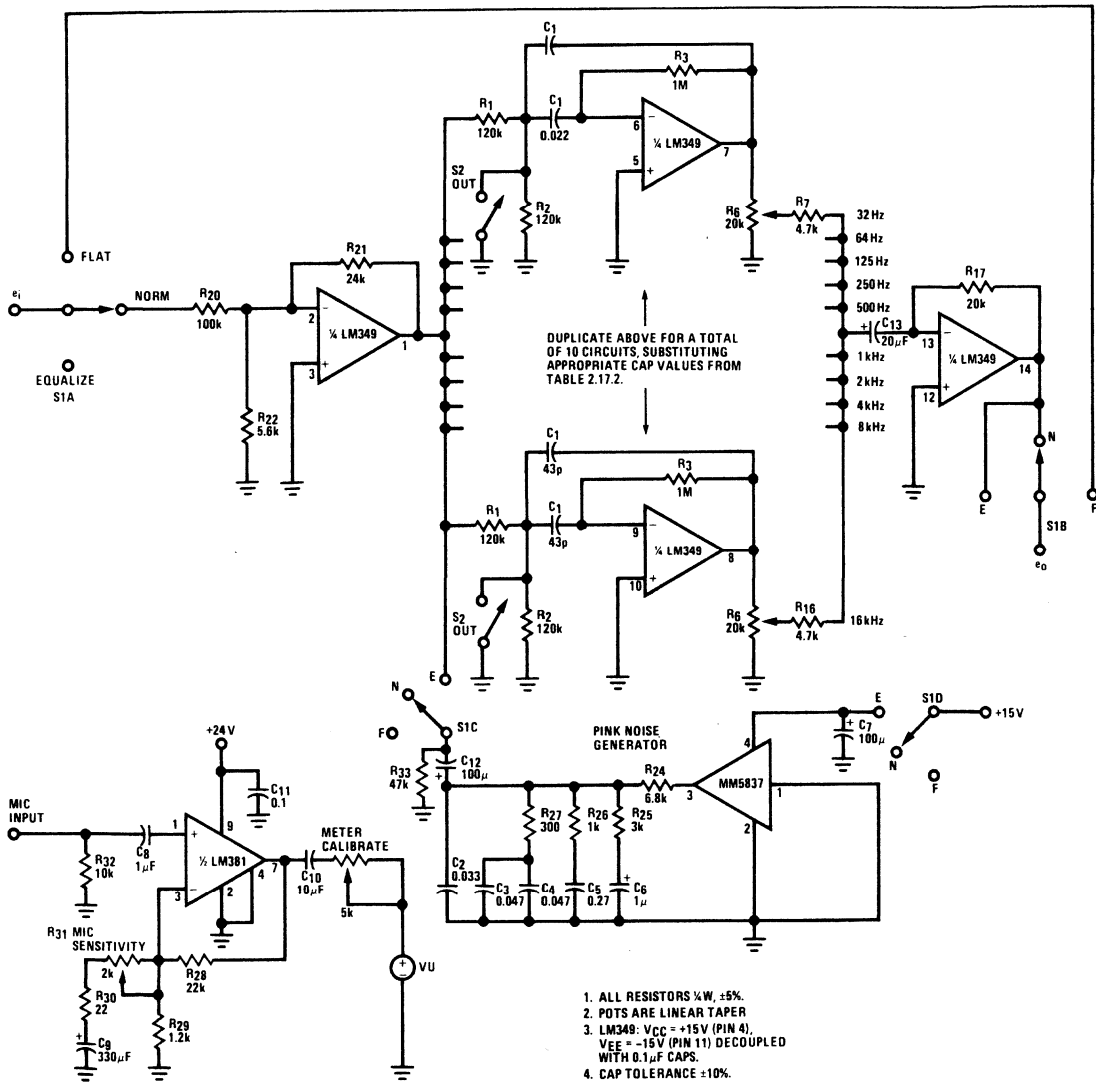
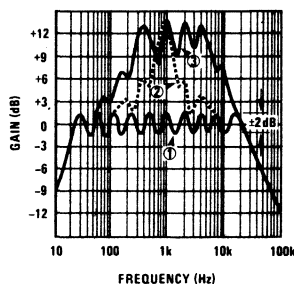


FIGURE 2.17.9 Room Equalizing Instrument

The complete room equalizing instrument appears as Figure 2.17.9. The input buffer and output summer are similar to those that appear in Figure 2.17.2, with some important differences. The input buffer acts as an active attenuator with a gain of 0.25 and the output summer has variable gain as a function of slider position. The purpose of these features is to preserve unity gain through a system that is really "cut-only" (since the gain of each filter section is fixed and the output is dropped across the potentiometers). The result is to create a boost and cut effect about the midpoint of the pot which equals unity gain. To see this, consider just one filter section, and let the input to the system equal 1V. The output of the buffer will be 0.25V and the filter output at the top of potentiometer R_6 will again be 1V (since $A_0 = 4$). The gain of the summer is given by $R_{17}/R_7 \approx 4$ when the slider of R_6 is at maximum, so the output will be equal to 4V, or +12dB relative to the input. With the slider at midposition the 4.7k summer input resistor R_7 effectively parallels $1/2$ of R_6 for a net resistance from slider to ground of $4.7k \parallel 10k \approx 3.2k$. The voltage at the top of the pot is attenuated by the voltage divider action of the $10k\Omega$ (top of pot to slider) and the $3.2k\Omega$ (slider to ground). This voltage is approximately equal to 0.25V and is multiplied by 4 by the summer for a final output voltage of 1V, or 0dB relative to the input. With the slider at minimum there is no output from this section, but the action of the "skirts" of the adjacent filters tends to create -12dB cut relative to the input. So the net result is a ± 12 dB boost and cut effect from a cut only system.

The pink noise generator from Figure 2.17.6 is included as the noise source to each filter section only when switch S1 (3 position, 4 section wafer) is in the "Equalize" position. Power is removed from the pink noise generator during normal operation so that noise is not pumped back onto the supply lines. Switch S2 located on each filter section is used to ground the input during the equalizing process. The LM381 dual low noise preamplifier is used as the microphone amplifier to drive the VU meter. The second channel is added by duplicating all of Figure 2.17.9 with the exception of the pink noise generator which can be shared. Typical frequency response is given by Figure 2.17.10. While the system appears complex, a complete two-channel instrument is made with just 8 ICs (6-LM349, 1-LM381, and 1-MM5837).



- ① ALL CONTROLS FLAT
- ② 1kHz BOOST, ALL OTHERS FLAT
- ③ 500Hz, 1kHz, 2kHz, 4kHz BOOST, ALL OTHERS FLAT

FIGURE 2.17.10 Typical Frequency Response of Room Equalizer

For detailed discussions about room equalization, the interested reader is directed to the references that follow this section.

REFERENCES

- Davis, D., "Facts & Fallacies on Detailed Sound System Equalization," *AUDIO* reprint available from ALTEC, Anaheim, California.
- Eargle, J., "Equalization in the Home," *AUDIO*, vol. 57, no. 11, November 1973, pp. 54-62.
- Eargle, J., "Equalizing the Monitoring Environment," *Jour. Aud. Eng. Soc.*, vol. 21, no. 2, March 1973, pp. 103-107.
- Engebretson, M. E., "One-Third Octave Equalization Techniques and Recommended Practices," Technical Letter No. 232, ALTEC, Anaheim, California.
- Heinz, H. K., "Equalization Simplified," *Jour. Aud. Eng. Soc.*, vol. 22, no. 9, November 1974, pp. 700-703.
- Queen, D., "Equalization of Sound Reinforcement Systems," *AUDIO*, vol. 56, no. 11, November 1972, pp. 18-26.
- Thurmond, G. R., "A Self-Contained Instrument for Sound-System Equalization," *Jour. Aud. Eng. Soc.*, vol. 22, no. 9, November 1974, pp. 695-699.

2.18 MIXERS

2.18.1 Introduction

A microphone mixing console or "mixer" is an accessory item used to combine the outputs of several microphones into one or more common outputs for recording or public address purposes. They range from simple four input-one output, volume-adjust-only units to ultra-sophisticated sixteen channel, multiple output control centers that include elaborate equalization, selective channel reverb, taping facilities, test oscillators, multi-channel panning, automatic mix-down with memory and recall, individual VU meters, digital clocks, and even a built-in captain's chair. While appearing complex and mysterious, mixing consoles are more repetitious than difficult, being constructed from standard building-block modules that are repeated many times.

2.18.2 Six Input-One Output Mixer

A detailed analysis of all aspects of mixer design lies beyond the scope of this book; however, as a means of introduction to the type of design encountered Figure 2.18.1 is included to show the block diagram of a typical six input-one output mixer. Below each block, the section number giving design details is included in parentheses for easy cross reference.

Individual level and tone controls are provided for each input microphone, along with a choice of reverb. All six channels are summed together with the reverb output by the master summing amplifier and passed through the master level control to the octave equalizer. The output of the equalizer section drives the line amplifier, where monitoring is done via a VU meter.

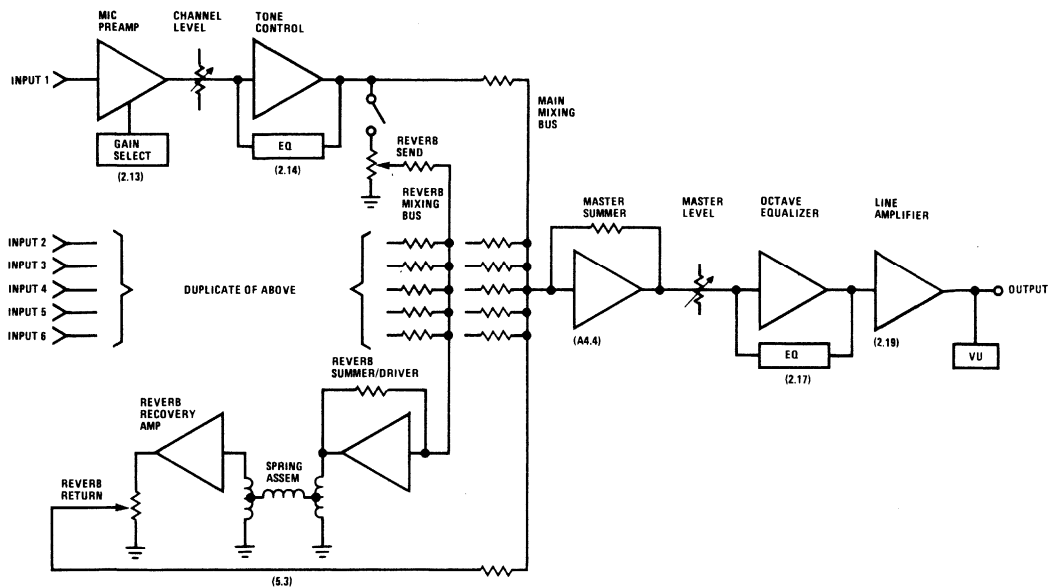


FIGURE 2.18.1 Six Input-One Output Microphone Mixing Console (Design details given in sections shown in parentheses.)

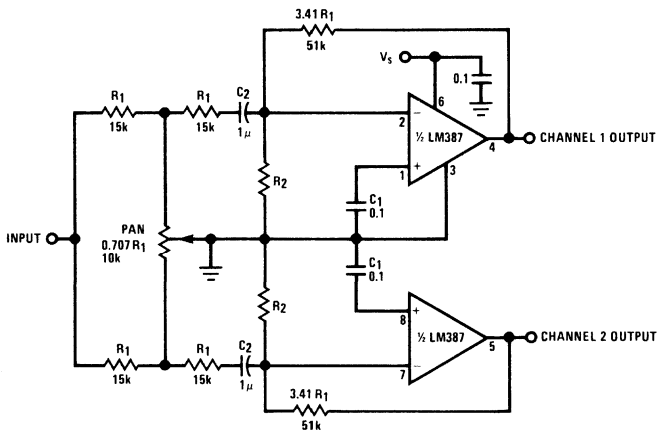


FIGURE 2.18.2 Two Channel Panning Circuit

Expansion of the system to any number of inputs requires only additional input modules, with the limiting constraint being the current driving capability of the summing amplifiers. (The summing amp must be capable of sourcing and sinking the *sum* of all of the input amplifiers driving the summing bus. For example, consider ten amplifiers, each driving a 10k Ω summing input resistor to a maximum level of 5V_{RMS}. The summing amplifier is therefore required to handle 5mA.) Expanding the number of output channels involves adding additional parallel summing busses and amplifiers, each with separate level, equalizer, and VU capabilities. Other features (test oscillator, pink noise generator, panning, etc.) may be added per channel or per console as required.

2.18.3 Two Channel Panning Circuit

Having the ability to move the apparent position of one microphone's input between two output channels often is required in recording studio mixing consoles. Such a circuit is called a panning circuit (short for panoramic control circuit) or a pan-pot. Panning is how recording engineers manage to pick up your favorite pianist and "float" the sound over to the other side of the stage and back again. The output of a pan circuit is required to have unity gain at each extreme of pot travel (i.e., all input signal delivered to one output channel with the other output channel zero) and -3dB output from each channel with the pan-pot centered. Normally panning requires two

oppositely wound controls ganged together; however, the circuit shown in Figure 2.18.2 provides smooth and accurate panning with only one linear pot. With the pot at either extreme the effective input resistance equals $3.41 R_1$ (see Appendix A3.1) and the gain is unity. Centering the pot yields an effective input resistance on each side equal to $4.83 R_1$ and both gains are -3dB . Using standard 5% resistor values as shown in Figure 2.18.2, gain accuracies within

0.4dB are possible; replacing R_1 with 1% values (e.g., input resistors equal $14.3\text{k}\Omega$ and feedback resistors equal $48.7\text{k}\Omega$) allows gain accuracies of better than 0.1dB . Biasing resistor R_2 is selected per section 2.8 as a function of supply voltage. Capacitor C_1 is used to decouple the positive input, while C_2 is included to prevent shifts in output DC level due to the changing source impedance.

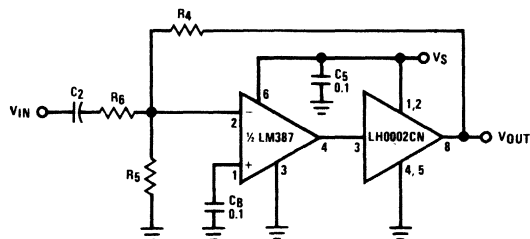


FIGURE 2.19.1 Preamp Current Booster

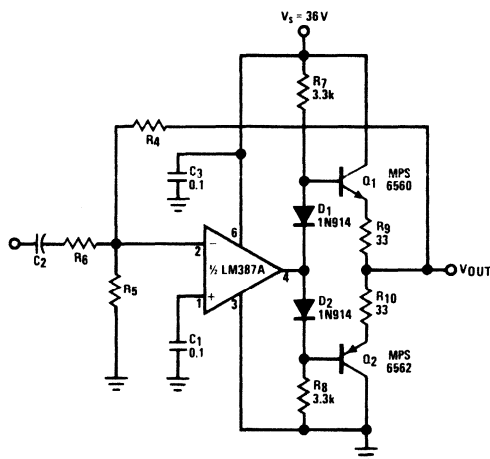


FIGURE 2.19.2 Discrete Current Booster Design

2.19 DRIVING LOW IMPEDANCE LINES

The output current and drive capability of a preamp may be increased for driving low impedance lines by incorporating a LH0002CN current amplifier within the feedback loop (Figure 2.9.1). Biasing and gain equations remain unchanged and are selected per section 2.8. Output current is increased to a maximum of $\pm 100\text{mA}$, allowing a LM387 to drive a 600Ω line to a full 24dBm when operated from a $+36\text{V}$ supply. Insertion of the LH0002C adds less than 10 degrees

additional phase shift at 15MHz , thereby not appreciably affecting the stability of the LM387 ($A_v \geq 10$).

Comparable performance can be obtained with the discrete design of Figure 2.19.2 for systems where parts count is not critical. Typical measured characteristics show a bandwidth of $10\text{--}200\text{kHz}$ at $+20\text{dBm}$ output, with THD @ 1kHz equal to 0.01% rising to only 0.1% @ 20kHz . A maximum output level of $+23\text{dBm}$ can be obtained before clipping.

2.20 NOISELESS AUDIO SWITCHING

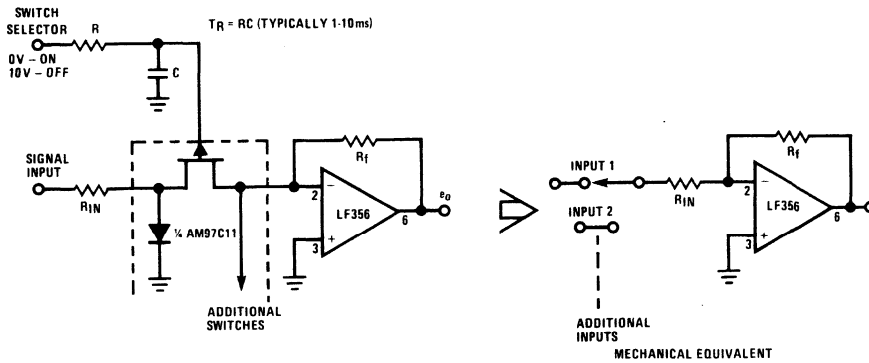


FIGURE 2.20.1 Deglitched Current Mode Switch

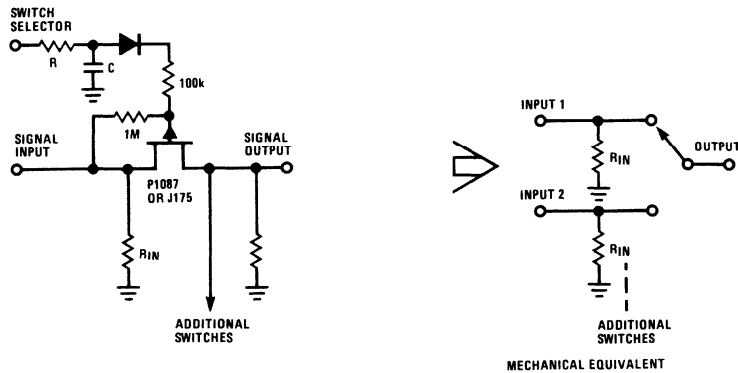


FIGURE 2.20.2 A Deglitched Voltage Mode Switch

2.20.1 Active Switching

As prices of mechanical switches continue to increase, solid state switching element costs have decreased to the point where they are now cost effective. By placing the switch on the PC board instead of the front panel, hum pickup and crosstalk are minimized, while at the same time replacing the complex panel switch assemblies.

The CMOS transmission gate is by far the cheapest solid state switching element available today, but it is plagued with spiking when switched, as are all analog switches. The switching spikes are only a few hundred nanoseconds wide, but a few volts in magnitude, which can overload following audio stages, causing audible pops. The switch spiking is caused by the switch's driver coupling through its capacitance to the load. Increasing the switch driver's transition time minimizes the spiking by reducing the transient current through the switch capacitance. Unfortunately, CMOS transmission gates do not have the drivers available, making them less attractive for audio use.

Discrete JFETs and monolithic JFET current mode analog switches such as AM97C11 have the switch element's input available. This allows the transition time of the drive to be tailored to any value, making noiseless audio switching possible. The current mode analog switches only need a simple series resistor and shunt capacitor to ground between the FET switch and the driver. (See Figure 2.10.1.)

Discrete JFETs may be used in place of the quad current mode switch; or, they can be used as voltage mode switches at a savings to the amplifier but at the expense of additional resistors and a diode.

Driver rise times shown in the figures, in the 1-10ms range, will result in coupled voltage spikes of only a few mV when used with the typical impedances found in audio circuits.

2.20.2 Mechanical Switching

A common mechanical switching arrangement for audio circuits involves a simple switch located after a coupling capacitor as diagrammed in Figure 2.20.3. For "pop" free switching the addition of a pull-down resistor, R_1 , is essential. Without R_1 the voltage across the capacitor tends to float up and pops when contact is made again; R_1 holds the free end of the capacitor at ground potential, thus eliminating the problem.

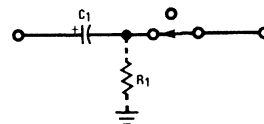
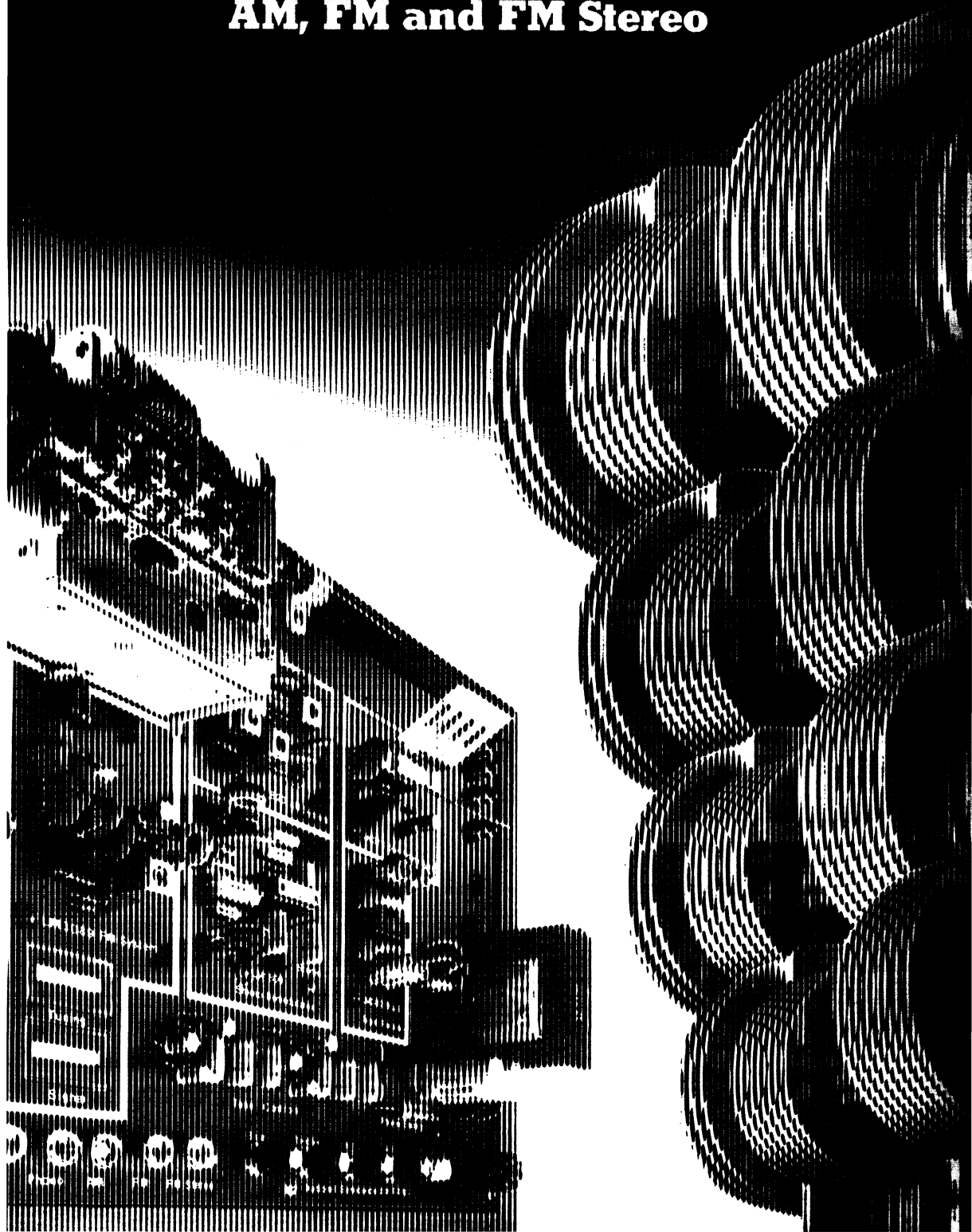


FIGURE 2.20.3 Capacitor Pull-Down Resistor

Section 3.0 AM, FM and FM Stereo



3.0 AM, FM and FM Stereo

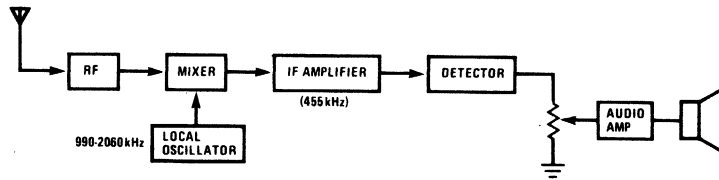


FIGURE 3.1.1 Superheterodyne Radio

3.1 AM RADIO

3.1.1 Introduction

Almost exclusively, the superheterodyne circuit reigns supreme in the design of AM broadcast radio. This circuit, shown in Figure 3.1.1, converts the incoming signal – 535kHz to 1605kHz – to an intermediate frequency, usually 262.5kHz or 455kHz, which is further amplified and detected to produce an audio signal which is further amplified to drive a speaker. Other types of receiver circuits include tuned RF (TRF) and regenerative.

In the tuned RF, the incoming signal is amplified to a relatively high level by a tuned circuit amplifier, and then demodulated.

Controlled positive feedback is used in the regenerative receiver to increase circuit Q and gain with relatively few components to obtain a satisfactory measure of performance at low cost.

Both the TRF and regenerative circuits have been used for AM broadcast, but are generally restricted to low cost toy applications.

3.1.2 Conversion of Antenna Field Strength to Circuit Input Voltage

Looking at Figure 3.1.1, the antenna converts incoming radio signals to electrical energy. Most pocket and table radios use ferrite loop antennas, while automobile radios are designed to work with capacitive whip antennas.

Ferrite Loop Antennas

The equivalent circuit of a ferrite rod antenna appears as Figure 3.1.2. Terms and definitions follow:

L = antenna inductance

C = tuning capacitor plus stray capacitance (20-150pF typ.)

N_o = antenna turns ratio – primary to secondary

R_{IN} = circuit input impedance

R_p = equivalent parallel loss resistance (primarily a function of core material)

R_L = equivalent loading resistance

V_{IN} = volts applied to circuit

V_{ID} = volts induced to antenna

V_T = voltage transferred across tank

Q_u = unloaded Q of antenna coil

Q_L = loaded Q of antenna circuit

H_{eff} = effective height of antenna in meters

E = field strength in volts/meter

Necessary design equations appear below:

$$Q_u = \frac{R_p}{X_L} \quad (3.1.1)$$

$$Q_L = \frac{R_p \parallel R_L}{X_L} = \frac{R_T}{X_L} \quad (3.1.2)$$

$$R_L = N_o^2 R_{IN} \quad (3.1.3)$$

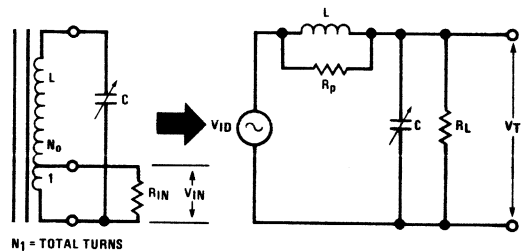


FIGURE 3.1.2 Ferrite Rod Antenna Equivalent Circuit

$$V_T = Q_L V_{ID} \quad (3.1.4)$$

$$V_{ID} = H_{eff} E \quad (3.1.5)$$

$$V_{IN} = \frac{V_T}{N_o} \quad (3.1.6)$$

The effective height of the antenna is a complex function of core and coil geometry, but can be approximated¹ by:

$$H_{eff} \approx \frac{2\pi \mu_r N_1 A}{\lambda} \quad (3.1.7)$$

where: N_1 = total number of turns

μ_r = relative permeability of antenna rod (primarily function of length)

A = cross sectional area of rod

λ = wavelength of received signal

$$= \frac{3 \times 10^8 \text{ m/sec}}{\text{freq (Hz)}}$$

3

Noise voltage is calculated from the total Thevenin equivalent loading resistance, $R_T = R_p \parallel R_L$, using Equation (3.1.8):

$$e_n = \sqrt{4KT\Delta f R_T} \quad (3.1.8)$$

where: $\Delta f = 3\text{dB}$ bandwidth of IF

$T =$ temperature in $^\circ\text{K}$

$K =$ Boltzmann's constant

$$= 1.38 \times 10^{-23} \text{ joules}/^\circ\text{K}$$

The signal-to-noise ratio in the antenna circuit can now be expressed as Equation (3.1.9):

$$S/N = \frac{V_T m}{e_n} = \frac{Q_L H_{\text{eff}} E m}{\sqrt{4KT\Delta f R_T}} \quad (3.1.9)$$

where: $m =$ index of modulation

Example 3.1.1

Specify the turns ratio N_o , total turns N_1 , effective height H_{eff} , and inductance required for an antenna wound onto a rod with the characteristics shown, designed to match an input impedance of $1\text{ k}\Omega$. Calculate the circuit input voltage resulting from a field strength of $100\mu\text{V/m}$ with 20 dB S/N in the antenna circuit. Assume a $15\text{-}365\text{ pF}$ tuning capacitor set at 100 pF for an input frequency of 1 MHz .

Given: $R_{IN} = 1\text{ k}\Omega$ $f_o = 1\text{ MHz}$
 $E = 100\mu\text{V/m}$ rod dia. = 1.5 cm
 $S/N = 20\text{ dB}$ $\mu_r = 65$ (rod length = 19 cm)
 $C = 100\text{ pF}$ $m = 0.3$
 $Q_u = 200$ $\Delta f = 10\text{ kHz}$

Calculate L , N_o , H_{eff} , N_1 , V_{IN}

1. Since the circuit is "tuned," i.e., at resonance, then $X_L = X_C$, or

$$L = \frac{1}{C(2\pi f_o)^2} = \frac{1}{100\text{ pF}(2\pi \times 1 \times 10^6)^2}$$

$$= 2.53 \times 10^{-4}\text{ H}$$

$$L \approx 250\mu\text{H}$$

2. From Equation (3.1.1):

$$R_p = Q_u X_L = 200 \times 2\pi \times 1\text{ MHz} \times 250\mu\text{H}$$

$$R_p \approx 314\text{ k}$$

3. For matched conditions and using Equation (3.1.3):

$$R_p = R_L = N_o^2 R_{IN}$$

$$N_o = \sqrt{\frac{R_p}{R_{IN}}} = \sqrt{\frac{314\text{ k}}{1\text{ k}}} = 17.7$$

$$N_o \approx 18:1$$

4. From Equations (3.1.1) and (3.1.2):

$$Q_L = \frac{R_p \parallel R_L}{X_L} = \frac{R_p}{2X_L} = \frac{Q_u}{2} \text{ since } R_p = R_L$$

$$Q_L = 100$$

5. Rearranging Equation (3.1.9) and solving for required H_{eff} :

$$H_{\text{eff}} = \frac{S/N \sqrt{4KT\Delta f R_T}}{Q_L E m}$$

$$= \frac{10 \sqrt{(4)(1.38 \times 10^{-23})(300)(10\text{ kHz})(157\text{ k})}}{(100)(100\mu\text{V/m})(0.3)}$$

$$= 1.7\text{ cm}$$

6. Rearranging Equation (3.1.7) and solving for N_1 :

$$N_1 = \frac{H_{\text{eff}} \lambda}{2\pi \mu_r A}$$

$$= \frac{(0.017\text{ m})(3 \times 10^8\text{ m/sec})}{(2\pi)(65)(1 \times 10^6\text{ Hz})(\pi)(7.5 \times 10^{-3}\text{ m})^2} = 70.7$$

$$N_1 \approx 71 \text{ turns}$$

7. Form Equation (3.1.5):

$$V_{ID} = H_{\text{eff}} E$$

$$= 0.017\text{ m} \times 100\mu\text{V/m}$$

$$V_{ID} = 1.7\mu\text{V}$$

8. Find V_T from Equation (3.1.4):

$$V_T = Q_L V_{ID}$$

$$= 100 \times 1.7\mu\text{V}$$

$$V_T = 170\mu\text{V}$$

9. Using Equation (3.1.6), find V_{IN} :

$$V_{IN} = \frac{V_T}{N_o} = \frac{170\mu\text{V}}{18}$$

$$V_{IN} = 9.4\mu\text{V}$$

Capacitive Automotive Antennas

A capacitive automobile radio antenna can be analyzed in a manner similar to the loop antenna. Figure 3.1.3 shows the equivalent circuit of such an antenna. C_1 is the capacitance of the vertical rod with respect to the horizontal ground plane, while C_2 is the capacitance of the shielded cable connecting the antenna to the radio. In order to obtain a useful signal output, this capacitance is tuned out with an inductor, L . Losses in the inductor and the input resistance of the radio form R_L . The signal appearing at the input stage of the radio is related to field strength:

$$V_T = V_{ID} Q_L \frac{C_1}{C_T} \quad (3.1.10)$$

where: V_{ID} is defined by Equation (3.1.5)

Q_L is defined by Equation (3.1.2)

$$C_T = C_1 + C_2$$

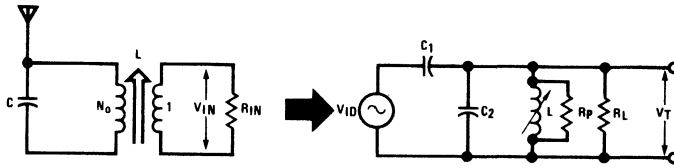


FIGURE 3.1.3 Capacitive Auto Antenna Equivalent Circuit

Similar to the ferrite rod antenna, the signal-to-noise ratio is given by:

$$S/N = \frac{H_{\text{eff}} E_m Q_L (C_1/C_T)}{\sqrt{4KT\Delta f Q_L X_{CT}}}$$

The effective height of a capacitive vertical whip antenna can be shown¹ to equal Equation (3.1.12):

$$H_{\text{eff}} \approx \frac{h}{2} \quad (3.1.12)$$

where: h = antenna height in meters

Example 3.1.2

For comparison purposes, calculate the circuit input voltage, V_{IN} , for an automotive antenna operating in the same field as the previous example; assume same circuit input impedance of $1k\Omega$ and calculate the resultant S/N . Use the given data for a typical auto radio antenna extended two sections (1 meter).

Given: $R_{IN} = 1k\Omega$ $\Delta f = 10kHz$
 $E = 100\mu V/m$ $C_1 = 10pF$
 $Q_L = 80$ $C_T = 90pF$
 $f_o = 1MHz$ $m = 0.3$

Calculate S/N , N_o , V_{IN} .

1. Calculate H_{eff} from Equation (3.1.12) and solve for X_{CT}

$$H_{\text{eff}} = \frac{h}{2} = 0.5m$$

$$X_{CT} = \frac{1}{2\pi f C_T} = \frac{1}{2\pi \times 1MHz \times 90pF}$$

$$X_{CT} = 1768\Omega$$

2. Rearranging Equation (3.1.11) and solving for S/N :

$$S/N = \frac{H_{\text{eff}} E_m \frac{C_1}{C_T} \sqrt{Q_L}}{\sqrt{4KT\Delta F X_{CT}}}$$

$$S/N = \frac{(0.5)(100\mu V/m)(0.3) \frac{10pF}{90pF} \sqrt{80}}{\sqrt{(4)(1.38 \times 10^{-23})(300)(10k)(1768)}}$$

$$S/N = 27.55$$

$$S/N \approx 29dB$$

3. From Equations (3.1.10) and (3.1.5):

$$V_T = H_{\text{eff}} E_m Q_L \frac{C_1}{C_T}$$

$$= 0.5m \times 100\mu V/m \times 80 \times \frac{10pF}{90pF}$$

$$V_T = 444\mu F$$

4. Since matching requires $R_p = R_L$, and resonance gives $X_{CT} = X_L$, then using Equation (3.1.2):

$$\frac{R_p}{2} = Q_L X_{CT}$$

$$R_p = 2 \times 80 \times \frac{1}{2\pi (1MHz) (90pF)} = 283k = R_L$$

5. Using Equation (3.1.3):

$$N_o = \sqrt{\frac{R_L}{R_{IN}}} = \sqrt{\frac{283k}{1k}} = 16.8$$

$$N_o \approx 17:1$$

6. From Equation (3.1.6):

$$V_{IN} = \frac{V_T}{N_o} = \frac{444\mu V}{17}$$

$$V_{IN} = 26.1\mu V$$

7. From Equation (3.1.1):

$$Q_u = \frac{R_p}{X_{CT}} = 283k \times 2\pi \times 1MHz \times 90pF = 160$$

It is interesting to note that operating in the same field strength, the capacitive antenna will transfer approximately three times as much voltage to the input of the circuit, thus allowing the greater signal-to-noise ratio of 29dB.

REFERENCES

1. Laurent, H. J. and Carvalho, C. A. B., "Ferrite Antennas for AM Broadcast Receivers," Application Note available from Bendix Radio Division of The Bendix Corporation, Baltimore, Maryland.

3

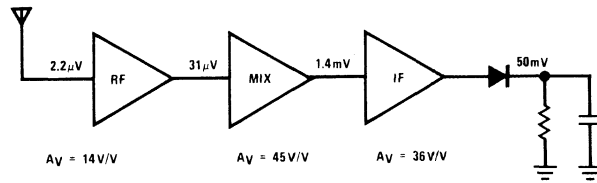


FIGURE 3.1.4 AM Radio Gain Stages

3.1.3 Typical AM Radio Gain Stages

The typical levels of Figure 3.1.4 give some idea of the gain needed in an AM radio. At the IF amplifier output, a diode detector recovers the modulation, and is generally designed to produce approximately 50mVRMS of audio with $m = 0.3$. The gain required is therefore:

$$A_v = \frac{50\text{mV}}{2.2\mu\text{V}} = 23\text{kV/V or } 87\text{dB}$$

3.2 LM1820 AM RECEIVER SYSTEM

The LM1820 is a 3 stage AM radio IC consisting of the following functional blocks:

RF Amplifier	IF Amplifier
Oscillator	AGC Detector
Mixer	Regulator

The RF amplifier section (Figure 3.2.1) consists of a cascode amplifier Q_2 and Q_3 , whose geometries are specially designed for low noise operation from low source impedances. The cascode configuration has very low feedback capacitance to minimize stability problems, and high output impedance to maximize gain. In addition, bias components (Q_1 , etc.) are included. Biased at 5.6mA, the input stage is

useful for frequencies in excess of 50MHz. Figure 3.2.2a shows the transconductance as a function of frequency.

Transistors Q_4 and Q_5 make up the local oscillator circuit. Positive feedback from the collector of Q_5 to the base of Q_4 is provided by the resistor divider R_9 and R_8 . The oscillator frequency is set with a timed circuit connected between pin 2 and V_{CC} . Transistors Q_4 and Q_5 are biased at 0.5mA each, so the transconductance of the differential pair is 10mmhos. For oscillation, the impedance at pin 2 must be high enough to provide a voltage gain greater than the loss associated with the resistor divider network R_9 , R_8 and the input impedance of Q_4 . Values of load impedance greater than 400Ω satisfy this condition, with values of $10\text{k}\Omega$ or greater being commonly used.

The differential pair Q_6 and Q_7 serve as a mixer, being driven with current from the oscillator. The input signal, applied to pin 1, is multiplied by the local oscillator frequency to produce a difference frequency at pin 14. This signal, the IF, is filtered and stepped down to match the input impedance of the IF amplifier.

Transistors Q_9 and Q_{10} form the IF amplifier gain stage. Again, a cascode arrangement is used for stability and high gain for a gm of 90mmhos.

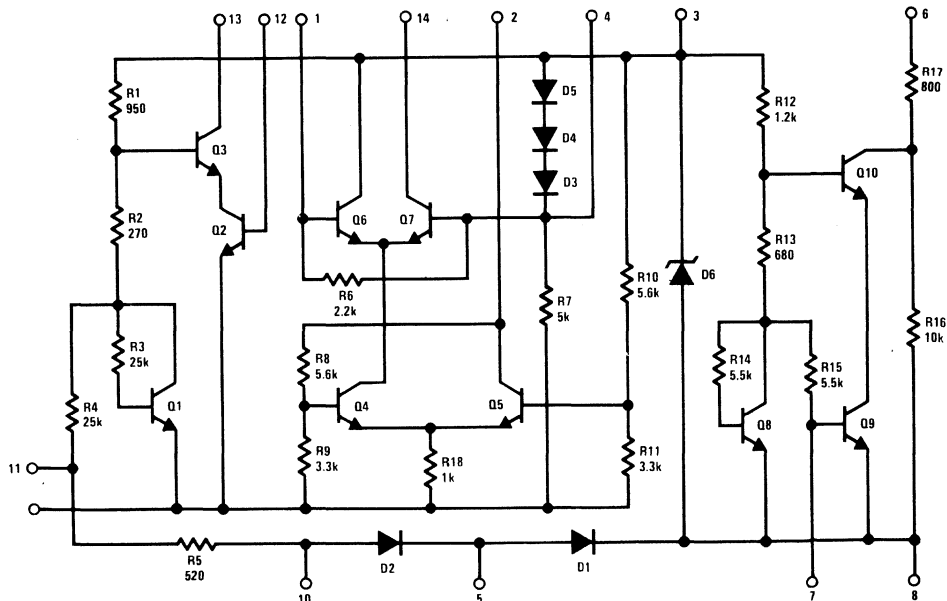
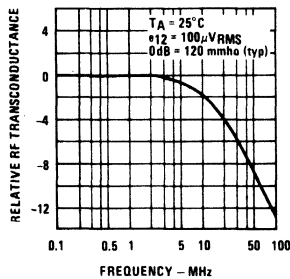
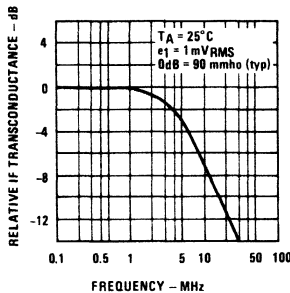


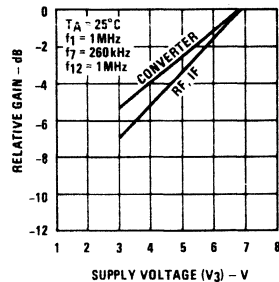
FIGURE 3.2.1 LM1820 Schematic Diagram



(a) RF Transconductance as a Function of Frequency



(b) IF Transconductance as a Function of Frequency



(c) Relative Gain as a Function of Supply Voltage (V_3)

FIGURE 3.2.2 LM1820 Performance Characteristics

An AGC detector is included on the chip. The circuit consists of diodes D_1 and D_2 which function as a peak to peak detector driven with IF signal from the output of the IF amplifier. As the output signal increases, a greater negative voltage is developed on pin 10 which diverts current away from the input transistor Q_2 . This current reduction in turn reduces the gain of the input stage, effectively regulating the signal at the IF output.

A zener diode is included on the chip and is connected from V_{CC} to ground to provide regulation of the bias currents on the chip. However, the 1820 functions well at voltages below the zener regulating voltage as shown in Figure 3.2.2c. Table 3.2.1 summarizes circuit parameters.

Basically, three possibilities exist for using the LM1820 in AM radio applications; these are illustrated in Figures 3.2.3-3.2.6. The mixer-IF-IF configuration results in an economical approach at some performance sacrifice because the mixer contributes excess noise at the antenna input, which reduces sensitivity. Since all gain is taken at the IF frequency, stability problems may be encountered if attention is not paid to layout.

TABLE 3.2.1 Summary of Circuit Parameters

Parameter	RF Section	Mixer	IF
Input Resistance	1k	1.4k	1k
Input Capacitance	80pF	8pF	70pF
Transconductance	120mmhos	2.5mmhos	90mmhos
Input Noise Voltage, 6kHz Bandwidth	0.23μV	0.5μV	

The RF-mixer-IF approach takes advantage of the low noise input stage to provide a high performance receiver for either automobile or high quality portable or table radio applications. Another approach which sacrifices little in performance, yet reduces costs associated with the three gang tuning capacitor, is to substitute a resistor for the tuned circuit load of the RF amplifier. The LM1820 has sufficient gain to allow for the mismatch and still provide good performance.

By appropriate impedance matching between stages, gain in excess of 120dB is possible. This can be seen from Figure 3.2.3c, where the correct interstage matching values for maximum power gain are shown. The gain of the RF section is found from:

$$A_{V1} = \frac{V_1}{V_{IN}} = K_1 g_{m1} R_{L1} N K_2$$

where: $N = \text{turns ratio} = \sqrt{R_{sec}/R_{pri}}$

$K_1 = 6\text{dB loss @ output of RF amplifier due to matching } 500\text{k output impedance}$

$K_2 = 6\text{dB loss @ input to mixer due to matching } 1.4\text{k input impedance}$

For the values shown:

$$A_{V1} = \frac{1}{2} (120 \times 10^{-3}) (500\text{k}) \sqrt{\frac{1.4\text{k}}{500\text{k}}} \frac{1}{2} = 793.5 \approx 58\text{dB}$$

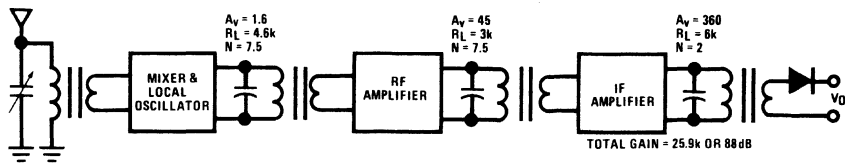
Similarly, for the mixer:

$$A_{V2} = \frac{1}{2} (2.5 \times 10^{-3}) (500\text{k}) \sqrt{\frac{1\text{k}}{500\text{k}}} \frac{1}{2} = 14 \approx 23\text{dB}$$

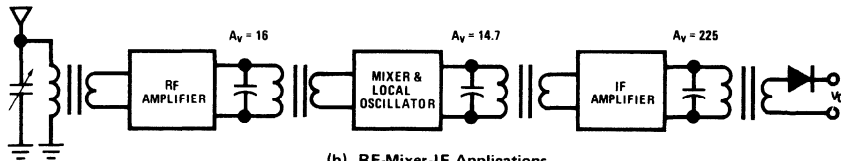
And for the IF:

$$A_{V3} = \frac{1}{2} (90 \times 10^{-3}) (10\text{k}) \sqrt{\frac{5\text{k}}{10\text{k}}} \frac{1}{2} = 159 \approx 44\text{dB}$$

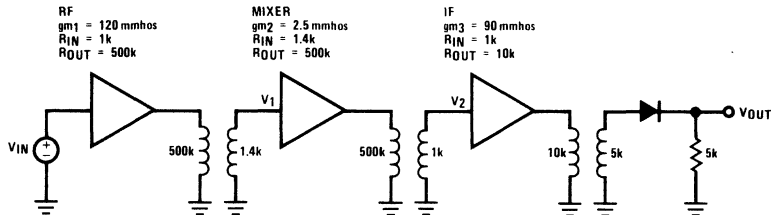
$$\text{Total gain} = 1.8 \times 10^6 \approx 125\text{dB}$$



(a) Mixer-IF-IF Application



(b) RF-Mixer-IF Applications



(c) Power Matching for Maximum Gain

FIGURE 3.2.3 Circuit Configurations for AM Radios Using the LM1820

This much gain is undesirable from a performance standpoint, since it would result in 1.5V of noise to the diode detector due to the input noise, and it would probably be impossible to stabilize the circuit and prevent oscillation.

From a design standpoint, it is desirable to mismatch the

RF stage and mixer for less gain.

One example is shown in Figure 3.2.3a, a mixer-IF-IF configuration. Gain is deliberately kept low to minimize stability problems. A complete circuit of this radio is shown in Figure 3.2.4, along with performance curves.

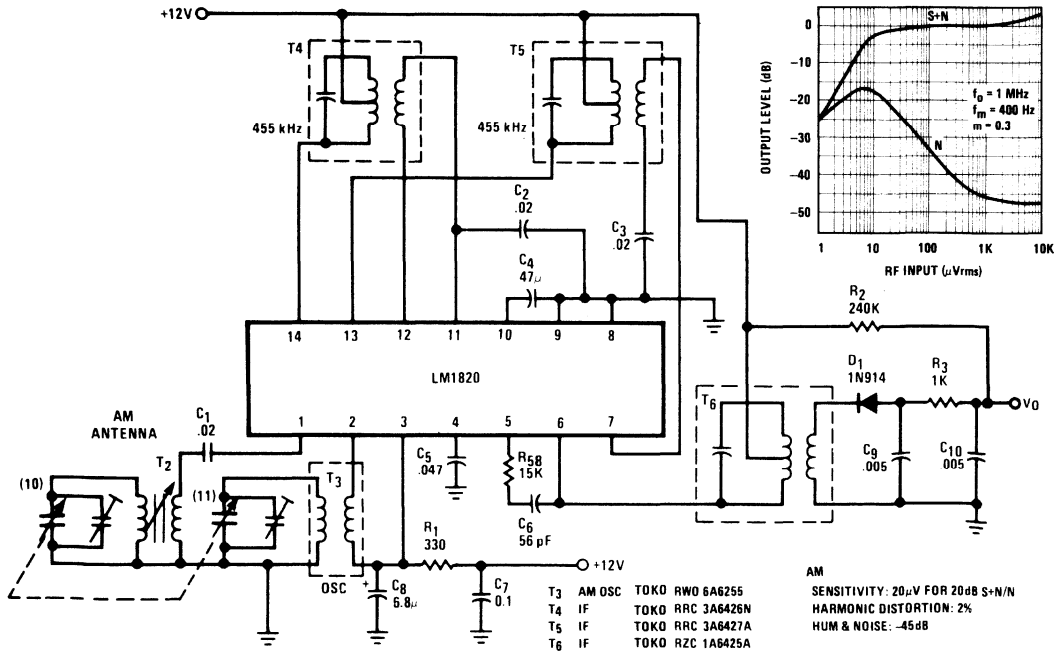
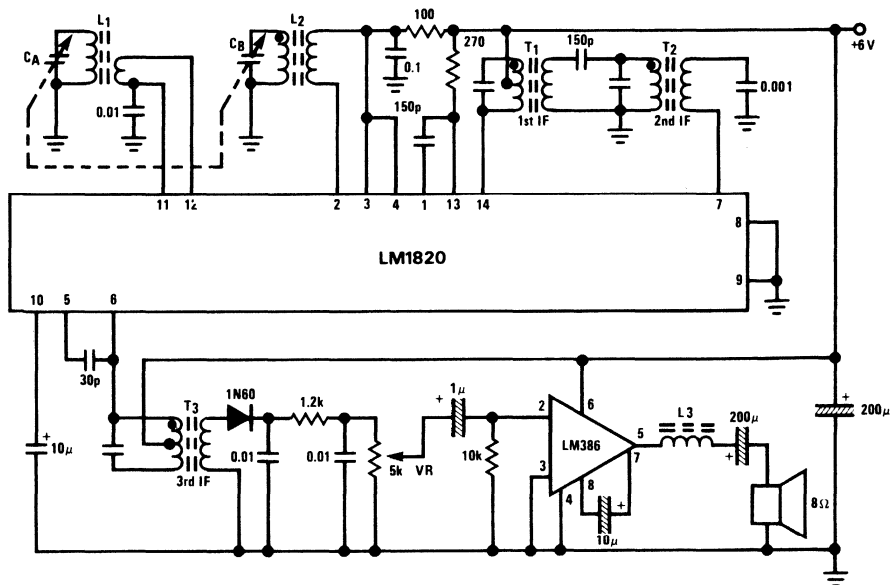


FIGURE 3.2.4 AM Radio Using Mixer-IF-IF

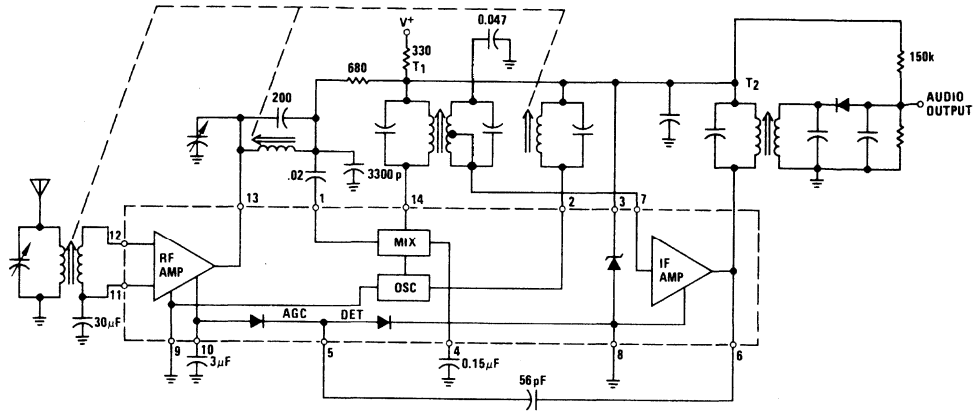


VC	AM PVC	L1	AM ANT	L2	AM OSC	L3	O/P CHOKE
			525KHz-1650KHz		980kHz-2105kHz		
	<p>$C_A = 140\text{pF}$ $C_B = 60\text{pF}$</p>	<p>$L = 640\mu\text{H}$ $Q_u = 200$</p>	<p>$L = 400\mu\text{H}$ $Q_u = 80$</p>	<p>FERRITE BEAD</p> <p>SWG = #32 TURNS = 3</p>			
T1	AM 1st IF	T2	AM 2nd IF	T3	AM 3rd IF		
	455KHz	455KHz	455KHz	455KHz			
	<p>$C = 150\text{pF}$ $Q_u = 140$</p>	<p>$C = 47\text{pF}$ $Q_u = 140$</p>	<p>$C = 180\text{pF}$ $Q_u = 120$</p>				

FIGURE 3.2.5 AM Radio Using RF-Mixer-IF

A higher quality approach is shown in Figure 3.2.5. The RF amplifier is used with a resistor load to drive the mixer. A double tuned circuit at the output of the mixer provides selectivity, while the remainder of the gain is provided by

the IF section, which is matched to the diode through a unity turns ratio transformer. The total gain in this design is 57k or 95dB from the base of the input stage to the diode detector.



TRANSFORMERS T₁: C = 130 pF PRIMARY & SECONDARY
 PRIMARY TO SECONDARY TAP RATIO - 30:1
 Q = 60
 COUPLING - CRITICAL

T₂: C = 130 pF PRIMARY & SECONDARY
 PRIMARY TAP RATIO - 8.5:1
 SECONDARY TAP RATIO - 8.5:1
 Q = 60
 COUPLING - CRITICAL

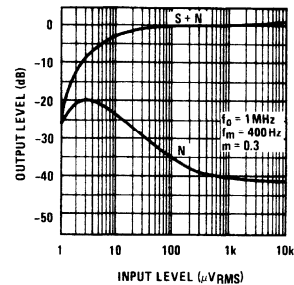


FIGURE 3.2.6 AM Auto Radio

An AM automobile radio design is shown in Figure 3.2.6. Tuning of both the input and the output of the RF amplifier and the mixer is accomplished with variable inductors. Better selectivity is obtained through the use of double tuned interstage transformers. Input circuits are inductively tuned to prevent microphonics and provide a linear tuning motion to facilitate push-button operation.

3.3 FM IF AMPLIFIERS AND DETECTORS

In the consumer field, two areas of application exist for FM IF amplifiers and detectors; in addition, applications exist in commercial two way and marine VHF FM radios:

TABLE 3.3.1 Application for FM-IF Amplifiers

Service	Frequency	Deviation	Input Limiting	Distortion
FM Broadcast	10.7MHz	75kHz	20μV	0.5%
TV Sound	4.5MHz	25kHz	200μV	1.5%
Two-Way Radio	various	5kHz	5μV	5%

The major requirement of an FM IF is good limiting characteristics, i.e., the ability to produce a constant output level to drive a detector regardless of the input signal level. This quality removes noise and amplitude changes that would otherwise be heard in the recovered signal.

Many integrated circuits have been developed for the FM IF function and all fall into roughly three categories:

- 3.4 Simple Limiters
- 3.5 Gain Blocks
- 3.6 Complete IF and Detectors

3.4 SIMPLE LIMITERS

Two especially useful RF/IF amplifiers are the "emitter coupled" differential amplifier, Figure 3.4.1, and the modified "cascode," Figure 3.4.2. Emitter coupled operation is advantageous because of its symmetrical, non-saturated limiting action, and corresponding fast recovery from large signal overdrive, making a nearly ideal FM IF stage. The "cascode" combines the large available stable gain and low noise figure, for which the configuration is well known, with a highly effective remote gain control capability via a second common-base stage, which overcomes many of the interstage detuning and bandwidth variation problems found in conventional transistor AGC stages.

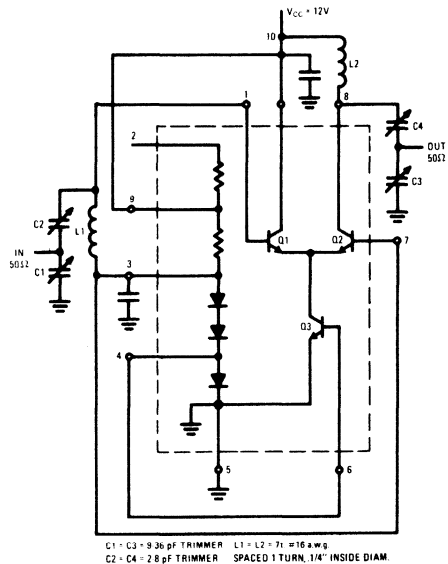


FIGURE 3.4.1 Emitter Coupled RF Amplifier

The "emitter coupled" and "cascode" configurations contain essentially the same components; they are available as either type 703 (Figure 3.4.3), which is permanently connected as an emitter coupled amplifier in an economical six pin package, or as the more versatile type LM171 (Figure 3.4.4), in which a ten pin package allows the user to select either emitter coupled or cascode configurations. Since the 171, when externally connected as an emitter coupled amplifier, is essentially identical in performance to the 703, references will be made only to "cascode" or "emitter coupled" configurations.

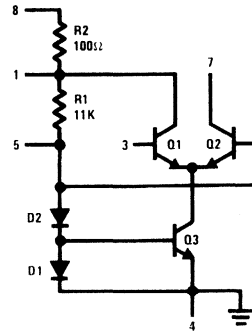


FIGURE 3.4.3 LM703 Configuration

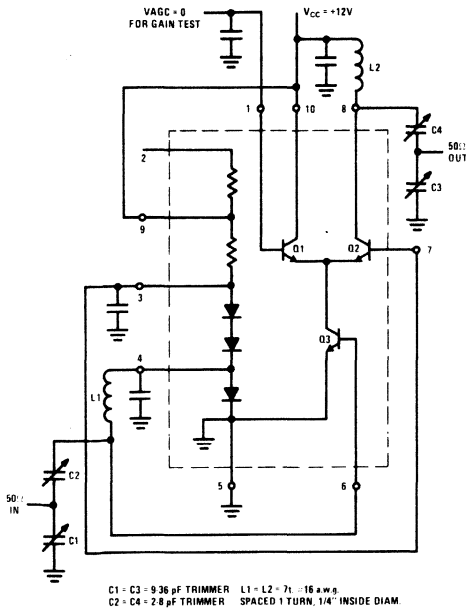


FIGURE 3.4.2 Cascode RF Amplifier

DC Biasing

Both the 703 and 171 are biased by using the inherent match between adjacent monolithic components. They are designed for use with conventional tuned interstages, in which DC bias currents flow through the input and output tuning inductances.

In either case, a resistor forces DC current from the positive supply into a chain of diodes (two for the 703, three for the 171) proportional to the difference between supply and forward diode-chain voltages, and inversely to

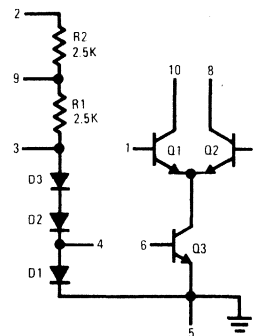


FIGURE 3.4.4 LM171 Configuration

the value of the resistor. The forced current, I_{bias} , establishes a voltage drop across the bottom diode (in reality, an NPN transistor with collector-base short), which is identical to the base-emitter voltage required to force a collector current of I_{bias} in a matched common-emitter stage. Since the transistor is monolithically matched to the bottom diode, and is of fairly high DC "beta," and efficient and reliably biased current source is created.

Total current through an NPN differential pair is determined by the current source, while current "split" depends on the differential base voltage. Common-mode base voltage is readily available by using the tap at the top of the diode chain. In the 703, the differential emitters operate at a forced voltage of one forward diode drop, V_{be} , the current source still being effective with zero volts, collector to base. Because the 171, as a cascode, requires high frequency performance of the current source, three biasing diodes are used, fixing the differential emitters at $2V_{be}$.

Both 703 and 171 function as ordinary differential amplifiers, splitting available current source drive equally, when base voltages are equal, and being capable of either complete cutoff or full conduction of available current into one of the pair, depending on differential input. In emitter coupled service, the input signal is injected in series with the differential pair's DC bias, while, in the cascode, it is in series with the current source's base bias.

Emitter Coupled Operation

To assure symmetrical limiting and maximum small-signal linearity, it is necessary that the differential pair be closely balanced, so that quiescent operation occurs in the center of the amplifier's transfer characteristic (figure 3.4.5). Typical V_{be} matches better than $\pm 0.3\text{mV}$, for both 703 and 171 assure this, provided that DC resistance of the input inductor is so low that input bias currents in the $50\mu\text{A}$ region do not induce appreciable input offset voltages.

The transfer characteristic of Figure 3.4.5 is represented by the equation:

$$\frac{I(\text{current source})}{I(\text{output})} = 1 + e^{\frac{qV_{IN}}{kT}} \quad (3.4.1)$$

Calculating the difference in V_{IN} required to change this ratio from 10% to 90%, it may be seen that:

$$\begin{aligned} V_{IN}(10\%) - V_{IN}(90\%) &= 2 \frac{kT}{q} (\ln 9) \\ &= 0.384T \text{ (mV)} \end{aligned} \quad (3.4.2)$$

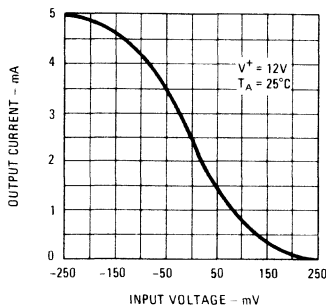


FIGURE 3.4.5 Emitter Coupled Transfer Characteristic

This quantity, the transition width of an emitter coupled amplifier is independent of supply voltage and current, and proportional to absolute temperature, varying from 84 mV at -55°C to 153 mV at $+125^\circ\text{C}$, and is approximately 114 mV at $+25^\circ\text{C}$. Forward transconductance, however, is directly proportional to total supply current, taking the approximate form:

$$|y_{21}| = 3.6 (I_{\text{supply, mA}}) \text{ mmhos} \quad (3.4.3)$$

at $+25^\circ\text{C}$, 10.7 MHz, for either 703 or emitter coupled 171. Thus, emitter coupled amplifier gain may be controlled by externally varying "bias chain" current, changing the current source by the same amount, but without affecting transition width.

Because an emitter coupled amplifier's input impedance is a function of drive level (Figure 3.4.6), interstages designed with small-signal y-parameters may exhibit center frequency shifts and bandwidth decreases as signal level increases. This is less of a problem in FM IF strips, where input signal amplitude is essentially constant, dictated by the limiting characteristics of the previous stage (Figure 3.4.7).

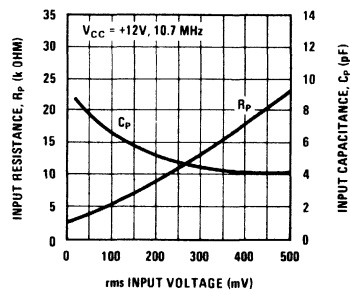


FIGURE 3.4.6 Effect of Drive Level on Emitter Coupled Input Impedance

Example 3.4.1 10.7MHz FM IF Using Emitter Coupled Amplifiers

Complete design of a high quality FM IF strip is a painstaking process, in which a number of parameters must be weighed against each other. Since design techniques are well covered in the literature, only a brief discussion of design considerations will be included in this section.

Maximum available power gain may be calculated for either 171 or 703 as emitter coupled amplifier using

$$\text{MAG} = \frac{|y_{21}|^2}{4g_{11}g_{22}}$$

At 10.7 MHz, 25°C , and $V_{CC} = 12\text{V}$, using 703 values,

$$y_{11} = 0.35 + j0.61 \text{ mmho} \quad (R_{IN} = 2.9\text{k}, C_{IN} = 9\text{pF})$$

$$y_{21} = -33.4 + j5.88 \text{ mmho} \text{ (note negative real part)}$$

$$y_{12} \approx 0.002 + j0 \text{ mmho}$$

$$y_{22} \approx 0.03 + j0.18 \text{ mmho} \quad (R_{OUT} = 33\text{k}, C_{OUT} = 2.6\text{pF})$$

$$\begin{aligned} \text{MAG} &= \frac{|y_{21}|^2}{4.911922} = \frac{(34 \times 10^{-3})^2}{4(0.35 \times 10^{-3} \times 0.03 \times 10^{-3})} \\ &= 2.75 \times 10^3 \\ &= 34.4\text{dB} \end{aligned}$$

(Due to somewhat different typical y -parameters, MAG for an emitter coupled 171 = 39dB.)

Calculating the stability criterion:

$$C = \frac{|y_{12}y_{21}|}{2.911922 - R_e(y_{12}y_{21})}$$

$$\begin{aligned} C &= \frac{2 \times 10^{-6} \times 3.4 \times 10^{-2}}{2(3.5 \times 10^{-4} \times 3 \times 10^{-5}) - [2 \times 10^{-6} \times (-3.34) \times 10^{-2}]} \\ &= \frac{6.8 \times 10^{-8}}{2.1 \times 10^{-8} + 6.7 \times 10^{-8}} \\ &= 0.775 \end{aligned}$$

For the conditions given, $0 < C < 1$, making the device unconditionally stable for all sources and loads. In a practical 10.7MHz IF strip, however, external coupling, especially from the strip's output to its input, can cause instability without careful physical design.

A modern FM tuner IF strip capable of low distortion multiplex reception requires:

1. Bandwidth of at least 300kHz. In a four stage design, with five interstage networks, bandwidth per stage may be calculated from overall bandwidth by use of the "shrinkage" formula:

$$\begin{aligned} \text{BW (per stage)} &= \frac{\text{BW(overall)}}{\sqrt{21/n - 1}} \quad (n = \text{number of interstages}) \\ &= \frac{300}{\sqrt{21/5 - 1}} = \frac{300}{0.388} \\ &= 733\text{kHz} \end{aligned} \quad (3.4.4)$$

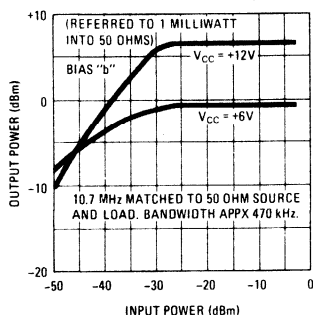


FIGURE 3.4.7 Emitter Coupled Limiting Characteristics

2. Sharp skirt selectivity without phase/frequency non-linearity within the passband. This usually implies double-tuned interstage transformers. Stover, et. al.² show that a transformer coupling factor between 0.6 and 0.8 gives minimum phase nonlinearity, the higher value being preferred for higher gain per stage.

3. Overall power gain of at least 100dB, or 25dB per stage in a four stage strip, to obtain adequate sensitivity and AM rejection.

4. A maximum value of load resistance across the output of each stage, given by:

$$R_L \leq \frac{2(V_{CC} - N V_{be})}{I_{OUT}(\text{MAX})} \quad (3.4.5)$$

where: N = number of bias chain diodes

$N = 2$ for the 703, or 3 for the 171

$I_{OUT}(\text{MAX})$ is approximately 5mA, for both types

This relationship assures that maximum output current limiting is reached before the output transistor can saturate, guaranteeing non-saturated limiting action.

5. The input admittance used in making interstage calculations should be the value resulting from a given value of input swing (see Figure 3.4.6), rather than the small-signal value. The input swing, however, depends upon the transformer ratio, so that transformer optimization is a multi-approximation procedure.
6. The interstages should be designed to minimize the effects of varying drive levels upon center frequency and bandwidth, since very weak signals may operate the first one or two stages linearly, rather than as limiters.

REFERENCES

1. Linvill, J., and Gibbons, J., *Transistors and Active Circuits*, McGraw-Hill, New York, 1961, ch. 9-18.
2. Stover, W., et. al., *Circuit Design for Audio, AM/FM, and TV*, McGraw-Hill, New York, 1967, ch. 7-11.
3. Gartner, W., *Transistors: Principles, Design and Applications*, D. Van Nostrand, Inc., New York, 1960, ch. 14-15.

3.5 GAIN BLOCKS

The LM3011 (Figure 3.5.1) is a complete gain block designed for FM limiter applications. It consists of 3 differential stages and associated biasing, with a current source (free collector) output suitable for driving a variety of loads. The circuit will provide 60dB of power gain to a matched load (Figure 3.5.2), or 60dB of voltage gain to a 1k load resistor. The input impedance of the LM3011 is 3k Ω in parallel with 7pF; however, unless special care is used in circuit board layout and shielding, oscillation problems will occur if source terminations greater than 600 Ω are used.

While designed for FM IF applications, the LM3011 will operate well at any frequency below 20MHz, and is useful for a variety of low and medium frequency limiter applications. Figure 3.5.3 shows the gain and input limiting voltage characteristics of the circuit, while Figure 3.5.4 shows the input and output characteristics of the circuit.

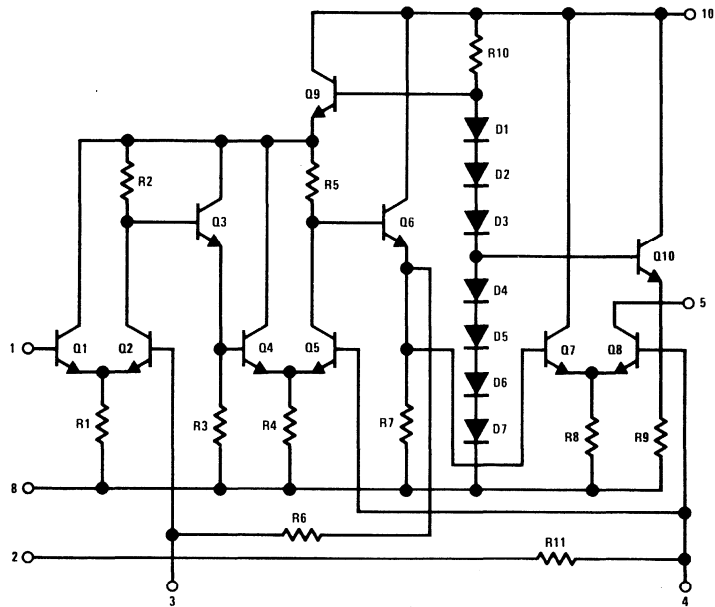


FIGURE 3.5.1 LM3011 Schematic Diagram

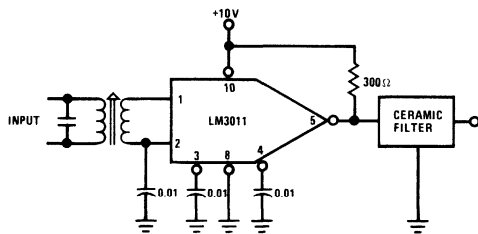


FIGURE 3.5.2 Limiter for Driving 300Ω Ceramic Filter

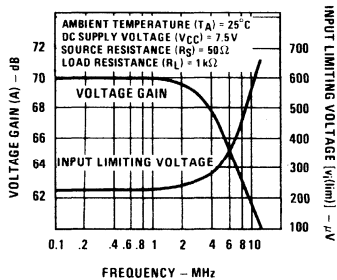
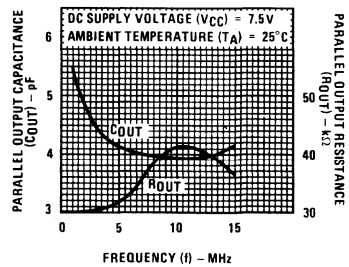


FIGURE 3.5.3 LM3011 Voltage Gain and Input Limiting Characteristics

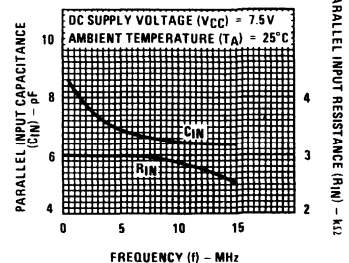


FIGURE 3.5.4 LM3011 Input-Output Impedance Characteristics

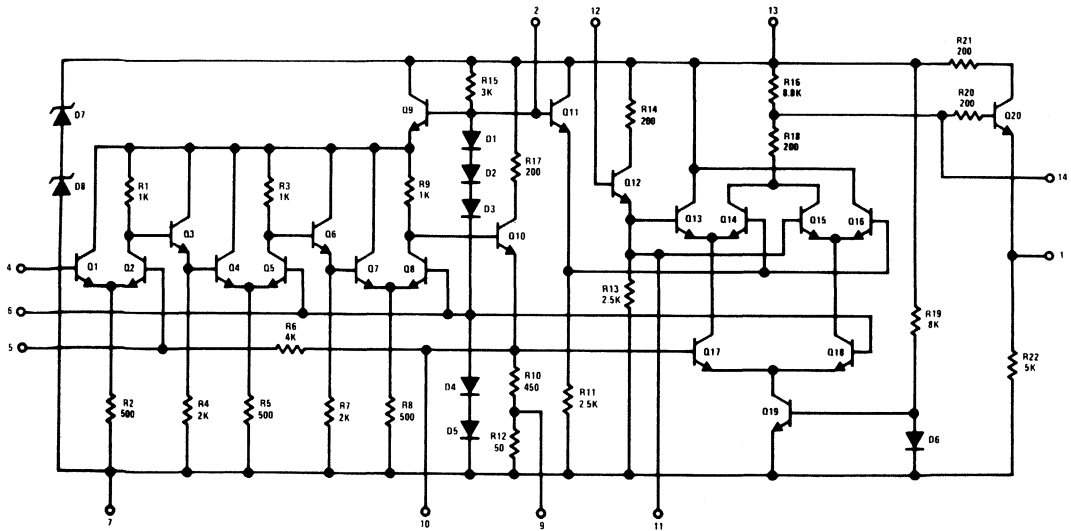


FIGURE 3.6.1 LM2111 Schematic Diagram

3.6 COMPLETE IF AMPLIFIERS AND DETECTORS

3.6.1 LM2111-LM1351 FM IF Amplifiers

Two very similar FM IF amplifier-detector combinations are available in the LM2111-LM1351 circuits. These circuits are designed to operate on supply voltages between 8 and 15V. Both circuits feature three stages of limiter/gain blocks and employ a double balanced phase detector which operates as a phase shift demodulator (Figure 3.6.2). In addition, the LM1351 features an audio preamp with an open loop gain of 40dB.

Referring to Figure 3.6.1, Q₁ and Q₂ form the first amplifier limiter, Q₄ and Q₅ form the second, and Q₇ and Q₈ form the third. Q₁₃ through Q₁₆ form the upper switches for the quadrature demodulator, while Q₁₇-Q₁₈ form the lower switches. The signal from the IF output pin 10 is fed via a phase shift network (Figure 3.6.3) to the upper quad pairs. At center frequency, 90° of phase shift occurs between pins 10 and 12, and the output of the quad detector is at its quiescent point. As the frequency of the IF signal varies, so does the phase shift to pin 12, causing an output signal at the quad detector output pin 14.

3

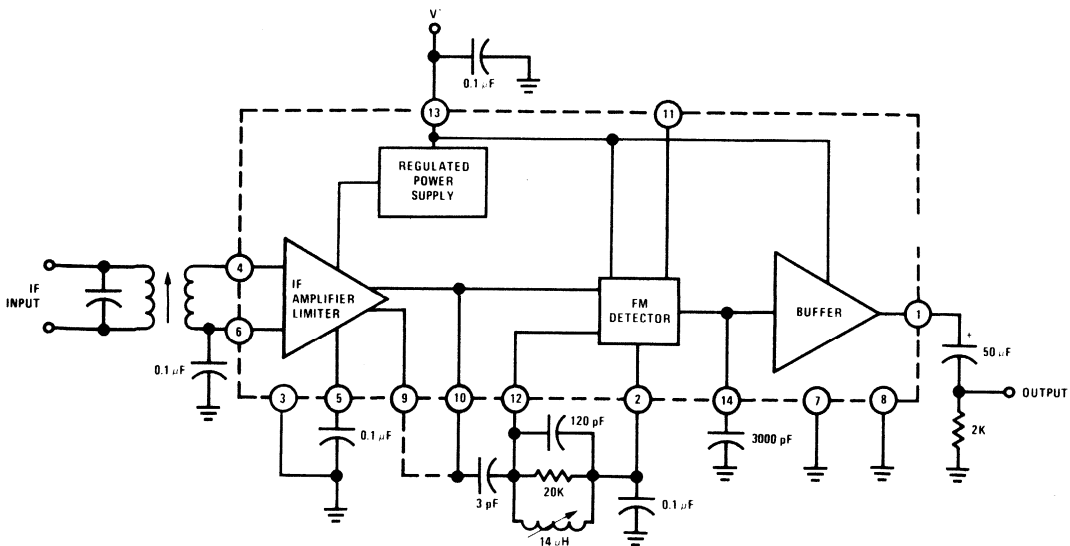


FIGURE 3.6.2 LM2111 Block Diagram

Biasing is accomplished with a string of diodes D_1 through D_5 that set the reference voltages for both the IF amplifier and the quad detector. Feedback (to pin 5 through R_6) completes the bias on the input of the IF amplifier.

The careful reader will notice there are two IF outputs; one high level (pin 10) produces approximately $1.2V_{p-p}$, while the low level (pin 9) produces $120mV_{p-p}$. Thus, the designer has an option whether to use high level or low level injection to the quad coil and upper pair.

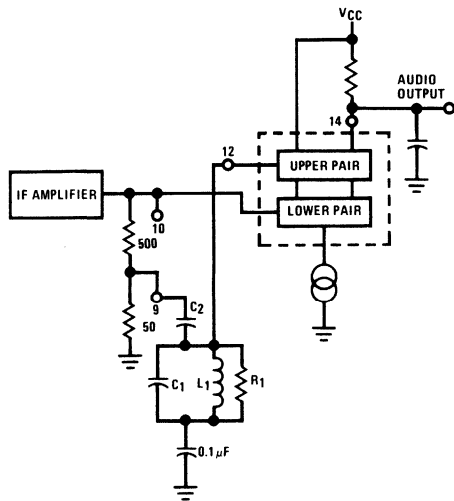


FIGURE 3.6.3 Phase Shift Network for Discriminator Circuit

The phase shift network consists of a small (high reactance) capacitor C_2 feeding a parallel tuned circuit C_1 , R_1 , L_1 . Figure 3.6.4 shows the theoretical curves. In the linear mode, the well-known S curve appears, very similar to the case of Foster-Seeley and ratio detectors. The relation between frequency and output is straightforward and the response shows well defined peaks at the 3dB frequency of the tuned circuit.

In the switching mode, when limiting occurs after the phase shift network, the bandwidth increases and the amplitude response contribution vanishes. This produces a smooth broad curve without well defined peaks and the transformation of the S curve into a pure phase response of the type arctan.

The switching mode has the advantages of higher linear range, insensitivity to the amplitude of the injection voltage, and can be used in afc systems or when side-responses are to be avoided. On the other hand, the linear mode is preferred for communication equipment, due to the preservation of the tuned circuit bandwidth, affording better rejection to Gaussian noise. Note the capability of the circuit to operate in any of the modes or to combine both as a function of the signal strength.

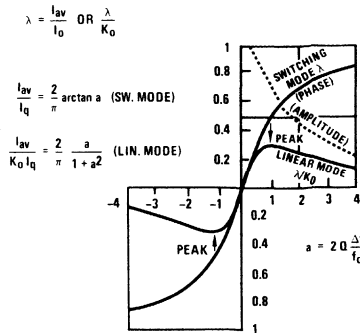


FIGURE 3.6.4 Theoretical Performance Curves

The designer has the freedom of selecting Q for recovered audio and distortion. A typical design for FM broadcast would be:

$$Q = \frac{f_o}{\Delta f} = \frac{10.7 \text{ MHz}}{0.35 \text{ MHz}} \approx 31$$

where: f_o = center frequency
 Δf = p-p separation = 0.35 MHz (typ) for $\pm 75 \text{ kHz}$ deviation

A fairly large capacitor should be chosen for C_1 (Figure 3.6.3) to swamp out input capacitance variations to the IC, 120 pF being a good choice:

$$X_{C1} = 124 \Omega \text{ (at } f = 10.7 \text{ MHz)}$$

$$R_1 = (Q)(X_{C1}) = 31 \times 124 \approx 3.9 \text{ k}$$

$$L = \frac{1}{\omega^2 C_1} = 18.4 \mu \text{ H}$$

The injection capacitor (C_2) should be a large reactance at center frequency; 4.7 pF is a suitable value. In this case, low level injection is used. Figure 3.6.5 shows the complete circuit with performance information.

Certain precautions should be noted. Depending on the frequency of operation, the value of the bypass capacitor on pin 5 can be critical to the prevention of the bias loop in the IF from oscillating. Layout around pin 12 has been troublesome in the past since there is a tendency for the transistor connected to this pin to oscillate around 200 MHz. National Semiconductor has made certain modifications that eliminate this problem.

Narrowband FM IF amplifiers for scanners and two way VHF radios can also be built with the LM2111. IF amplifiers for this service are generally double conversion.

This system retains the good image rejection of a high IF with the stability and higher percentage deviation (larger recovered audio) of a low IF.

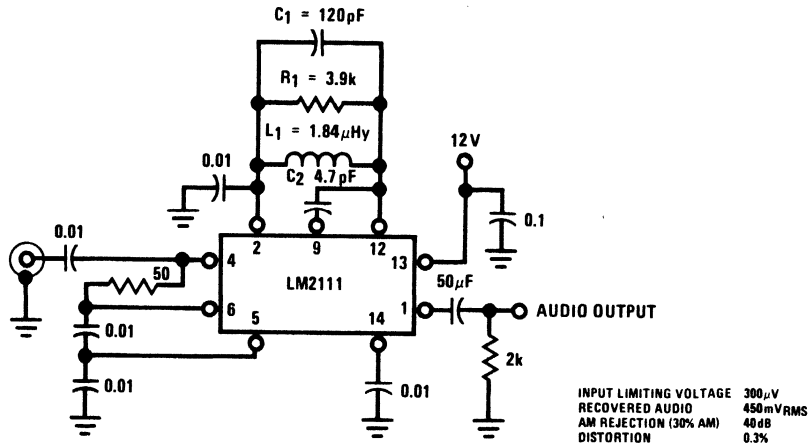


FIGURE 3.6.5 FM IF Amplifier

Typical values for the discriminator circuit, Figure 3.6.3, for this application are:

- $L_1 = 90\mu\text{Hy}$
- $C_1 = 1500\text{pF}$
- $C_2 = 47\text{pF}$
- $R_1 = 5.6\text{k}\Omega$

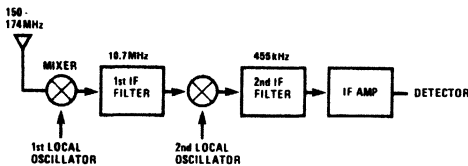


FIGURE 3.6.6 Narrowband FM Receiver

3.6.2 LM3065-LM3075 SERIES IF DETECTORS

The LM3065 was originally developed for TV sound applications and has certain advantages in this application over the LM2111. In particular, it features a differential peak detector which produces less harmonic energy of (the 4.5MHz) carrier and hence fewer problems in the crowded electromagnetic environment of the television receiver. It has better AM rejection and features a DC volume control for manufacturing economy.

The circuit is shown in Figure 3.6.7. Like the LM2111, there are three limiting stages of gain: an active filter, tuned to approximately 5MHz (C_1 , C_2 , etc.) limits the bandwidth and noise, while improving the AM rejection ratio. Pin 9 is the signal output of the IF and drives one side of a differential peak detector, while a pole-zero network between pins 9 and 10 provides an amplitude vs. frequency

characteristic to drive the other input of the differential peak detector. Transistors Q_{22} , Q_{23} , Q_{26} , and Q_{27} form the peak detectors, while capacitors C_3 and C_4 act as the detector storage capacitors.

The electronic volume control consists of transistors Q_5 through Q_{10} . A zener diode D_2 provides bias for a resistor bridge R_{10} , R_{11} , R_{14} and the external control potentiometer. This potentiometer, connected to pin 6, biases Q_6 , Q_7 , and Q_{10} ON and Q_8 and Q_9 OFF when it is at a maximum value, typically $50\text{k}\Omega$. As the pot is decreased, transistors Q_8 and Q_9 begin to conduct, producing audio at the output, pin 8.

An audio preamplifier with a voltage gain of 10 is included, with provision for addition of a tone control circuit to pin 13.

Typical performance of the circuit shown in Figure 3.6.7 follows:

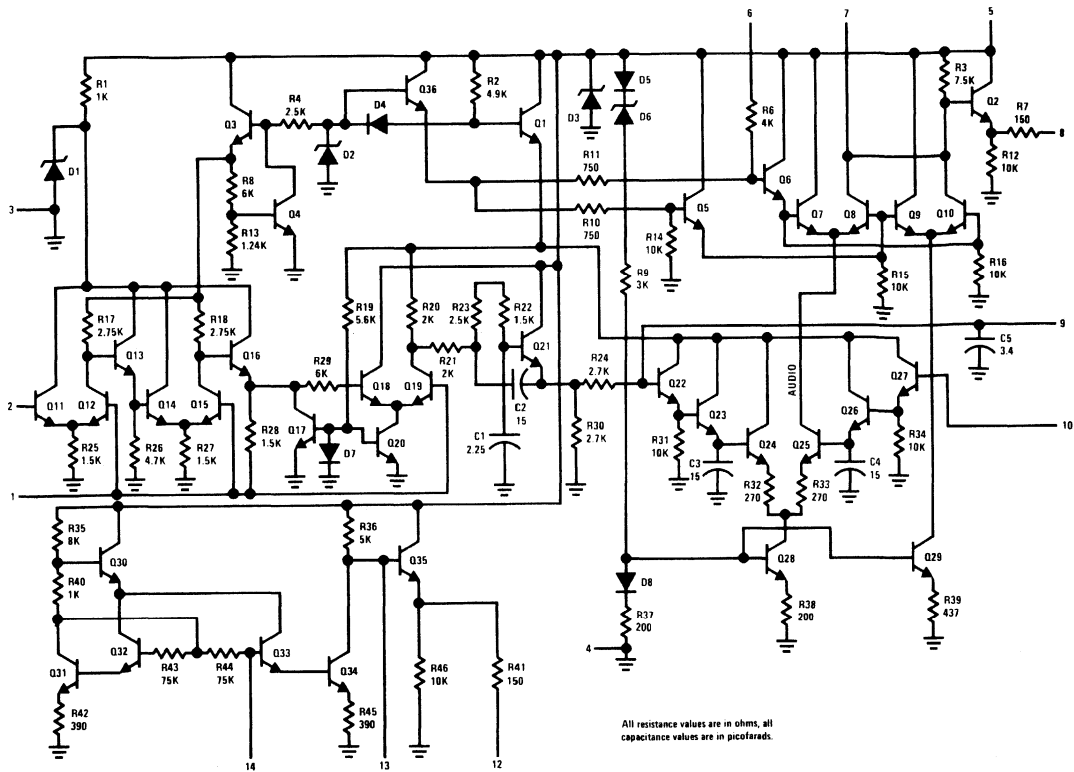
$$f_0 = 4.5\text{MHz}, \Delta f = 25\text{kHz}$$

Input limiting voltage	20µV
Recovered audio	700mV
AM rejection (30% AM)	50dB
Distortion	0.7%

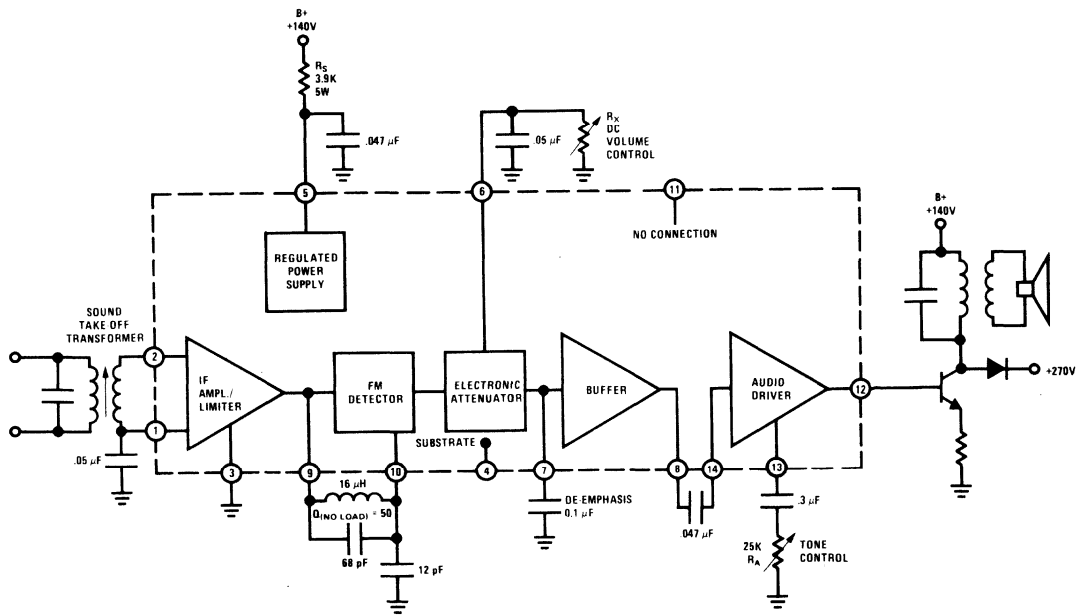
The LM3075, shown in Figure 3.6.8, is similar in design to the LM3065, but operates at higher IF frequencies (10.7 MHz and above), and does not have a DC volume control. In a typical consumer FM application, the circuit as shown has the following performance:

$$V_{CC} = 12\text{V}, f_0 = 10.7\text{MHz}, \Delta f = 75\text{kHz}$$

Input limiting voltage	250µV
AM rejection	55dB
Recovered audio	1.5V
THD	1%
Audio preamp voltage gain	21dB
Power supply current	18mA

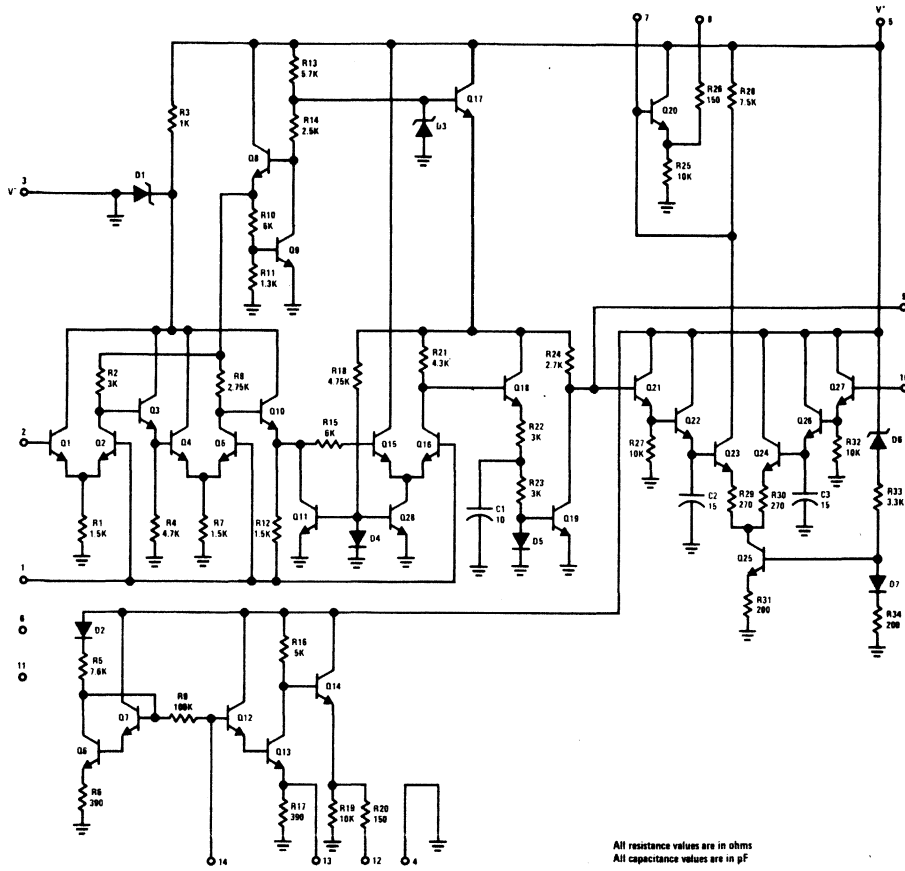


Schematic Diagram



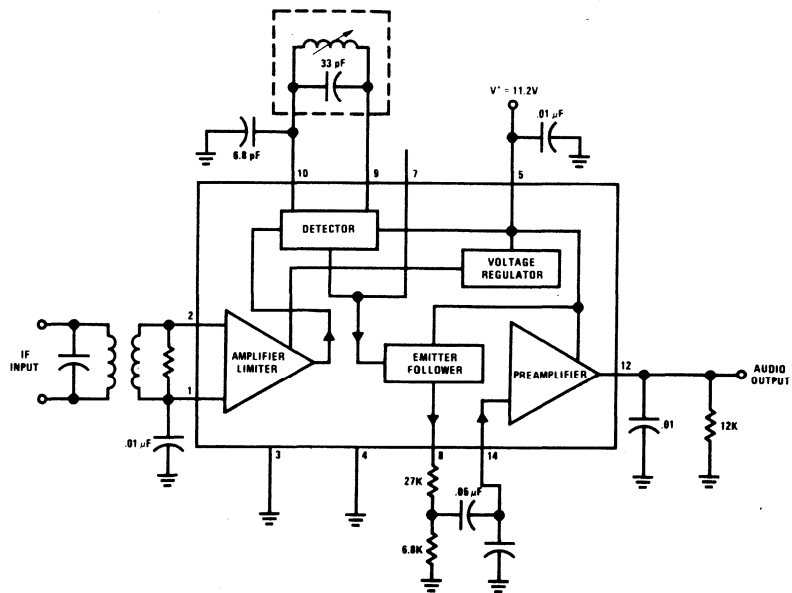
Block Diagram

FIGURE 3.6.7 LM3065 IF Detector



All resistance values are in ohms
All capacitance values are in pF

Schematic Diagram



Block Diagram

FIGURE 3.6.8 LM3075 FM IF-Detector-Preamp

3.7 THE LM3089 – TODAY'S MOST POPULAR FM IF SYSTEM

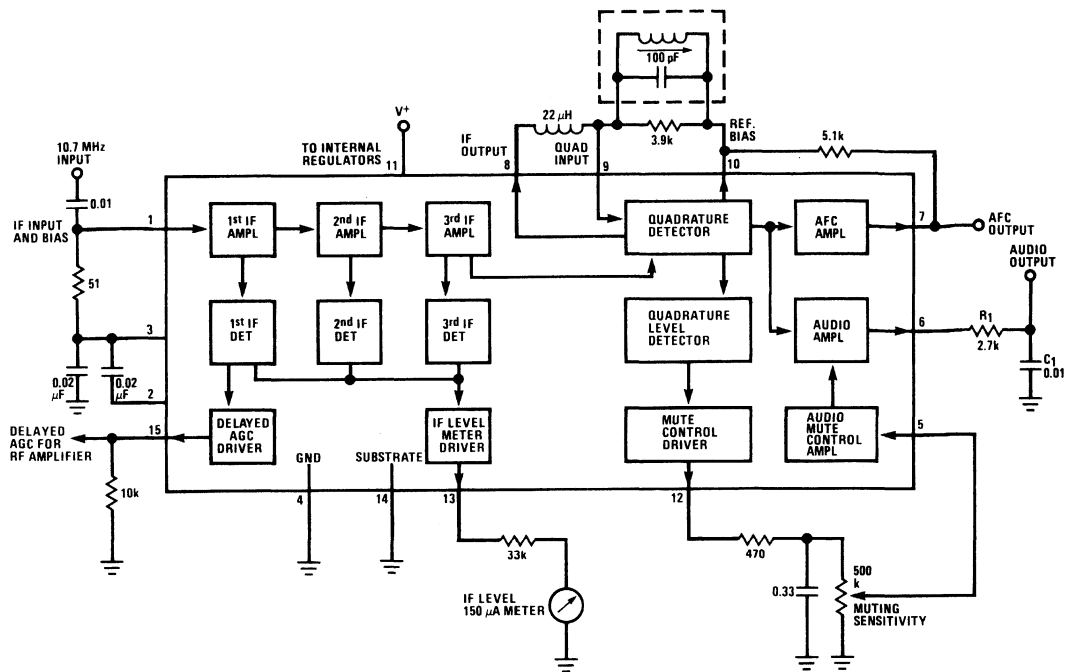


FIGURE 3.7.1 LM3089 Block and Connection Diagram

3.7.1 Introduction

LM3089 has become the most widely used FM IF amplifier IC on the market today. The major reason for this wide acceptance is the additional auxiliary functions not normally found in IC form. Along with the IF limiting amplifier and detector the following functions are provided:

1. A mute logic circuit that can mute or squelch the audio output circuit when tuning between stations.
2. An IF level or signal strength meter circuit which provides a DC logarithmic output as a function of IF input levels from $10\mu\text{V}$ to 100mV (four decades).
3. A separate AFC output which can also be used to drive a center-tune meter for precise visual tuning of each station.
4. A delayed AGC output to control front end gain.

The block diagram of Figure 3.7.1 shows how all the major functions combine to form one of the most complex FM IF amplifier/limiter and detector ICs in use today.

3.7.2 Circuit Description (Figure 3.7.2)

The following circuit description divides the LM3089 into four major subsections:

- IF Amplifier
- Quadrature Detector and IF Output
- AFC, Audio and Mute Control Amplifiers
- IF Peak Detectors and Drivers

IF Amplifier

The IF amplifier consists of three direct coupled amplifier-limiter stages Q_1 - Q_{22} . The input stage is formed by a common emitter/common base (cascode) amplifier with differential outputs. The second and third IF amplifier stages are driven by Darlington connected emitter followers which provide DC level shifting and isolation. DC feedback via R_1 and R_2 to the input stage maintains DC operating point stability. The regulated supply voltage for each stage is approximately 5V. The IF ground (pin 4) is used only for currents associated with the IF amplifiers. This aids in overall stability. Note that the current through R_g and Z_1 is the only current on the chip directly affected by power supply variations.

Quadrature Detector and IF Output

FM demodulation in the LM3089 is performed accurately with a fully balanced multiplier circuit. The differential IF output switches the lower pairs Q_{34} , Q_{26} and Q_{39} , Q_{38} . The IF output at pin 8 is taken across 390Ω (R_{31}) and equals 300mV peak to peak. The upper pair-switching (Q_{35} , Q_{23}) leading by 90 degrees is through the externally connected quad coil at pin 9. The 5.6V reference at pin 10 provides the DC bias for the quad detector upper pair switching.

AFC, Audio and Mute Control Amplifiers

The differential audio current from the quad detector circuit is converted to a single ended output source for AFC by "turning around" the Q_{47} collector current to the collector of Q_{57} . Conversion to a voltage source is done externally

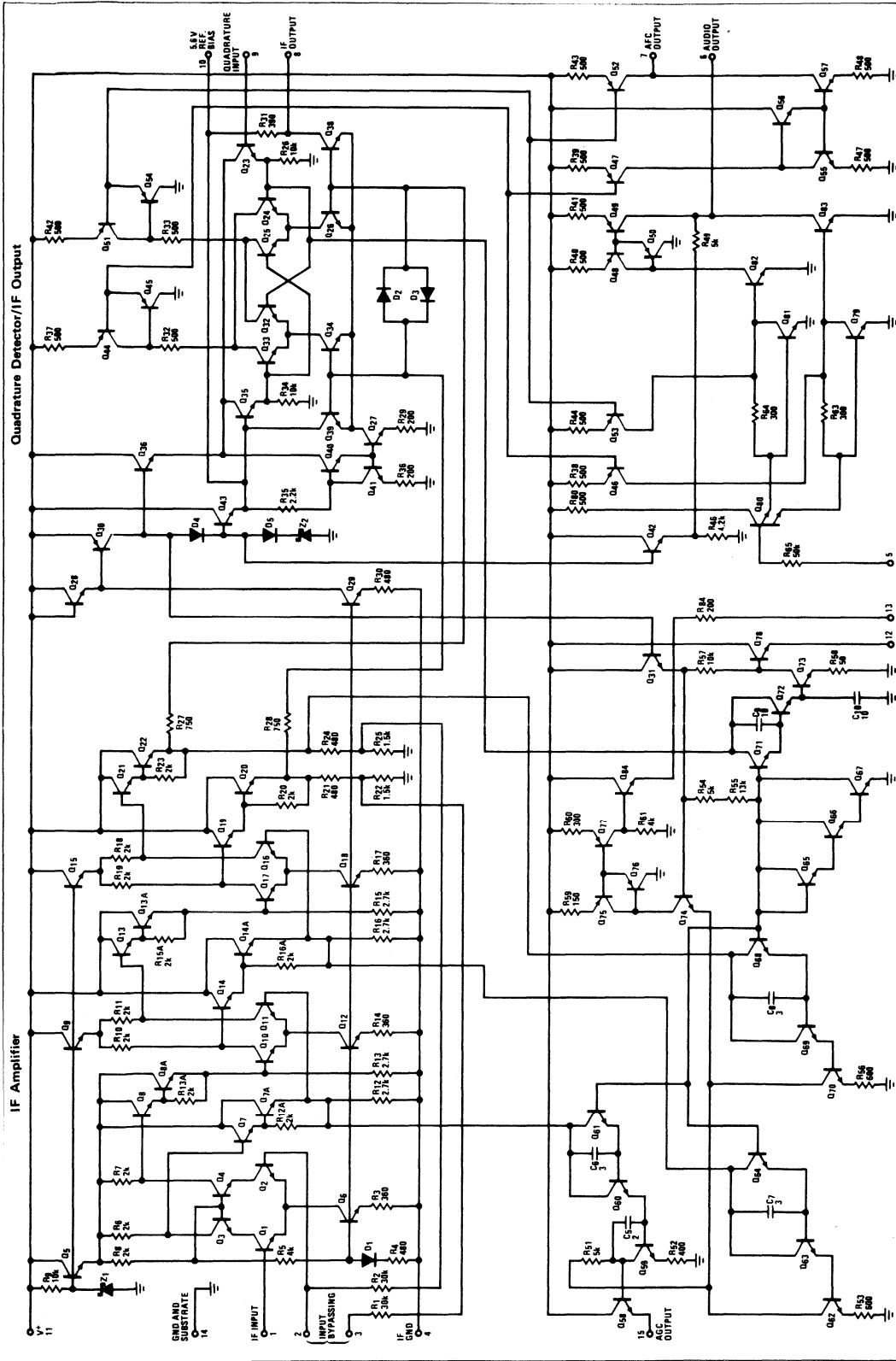
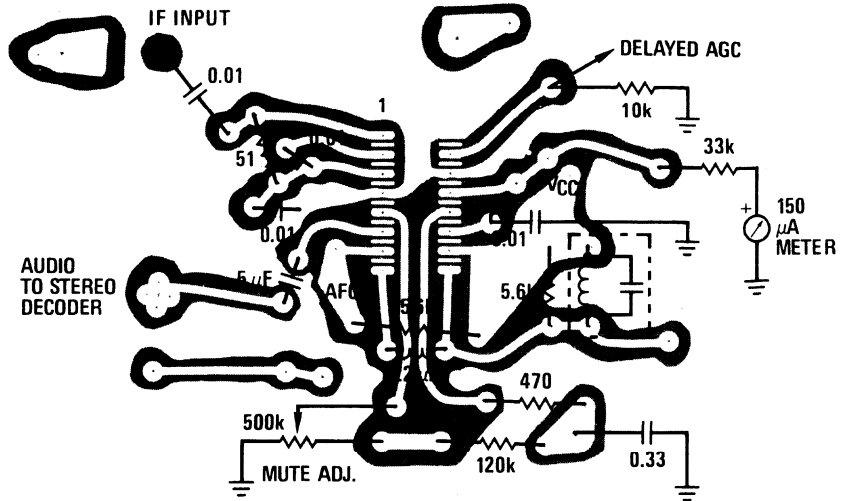


Figure 3.7.2 LM3089 Schematic Diagram

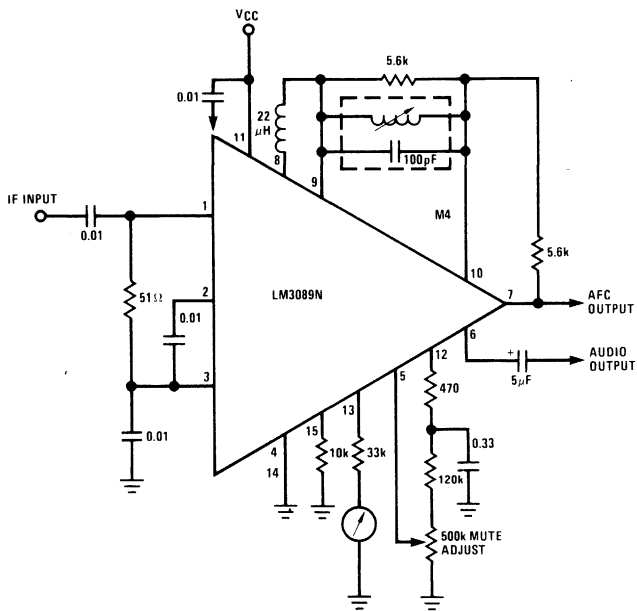
AFC, Audio and Mute Control Amplifiers

IF Peak Detectors and Drivers

COMPONENT SIDE



(a) PC Layout (Full Scale)



(b) Test Circuit

FIGURE 3.7.3 LM3089 Typical Layout & Test Circuit

by adding a resistor from pin 7 to pin 10. The audio amplifier stage operates in a similar manner as the AFC amplifier except that two "turn around" stages are used. This configuration allows the inclusion of muting transistor Q80. A current into the base of Q80 will cause transistors Q79 and Q81 to saturate, which turns off the audio amplifier; the gain of the audio stage is set by internal resistor R49. This 5kΩ resistor value is also the output impedance of the audio amplifier. When the LM3089 is used in mono receivers the 75μs de-emphasis (RC time constant) is calculated for a 0.01 μF by including R49. (RC = [R49 + R1] [C1], R1 = 75μs/0.01 μF = 5kΩ ≈ 2.7k, Figure 3.7.1.)

IF Peak Detectors and Drivers

Four IF peak or level detectors provide the delayed AGC, IF level and mute control functions. An output from the first IF amplifier drives the delayed AGC peak detector. Since the first IF amplifier is the last IF stage to go into limiting, Q60 and Q61 convert the first IF output voltage swing to a DC current (for IF input voltages between 10mV and 100mV). This changing current (0.1 to 1mA) is converted to a voltage across R51. Emitter follower Q58 buffers this output voltage for pin 15. The top of resistor R51 is connected to a common base amplifier Q74 along with the output currents from the 2nd and 3rd stage IF peak detectors (which operate for IF input voltages between 10μV and 10mV). The output current from Q75 is turned around or mirrored by Q75, Q76, and Q77, cut in half, then converted to a voltage across R61. Emitter follower Q84 buffers this voltage for pin 13.

The fourth peak detector "looks" at the IF voltage developed across the quad coil. For levels above about 120mV at pin 9, Q73 will saturate and provide no output voltage at pin 12. Because the IF level at pin 9 is constant, as long as the last IF amplifier is in limiting, pin 12 will remain low. Sudden interruptions or loss of the pin 9 IF signal due to noise or detuning of the quad coil will allow the collector of Q73 to rise quite rapidly. The voltage at the collector of Q73 is buffered by Q78 for pin 12.

3.7.3 Stability Considerations

Because the LM3089 has wide bandwidth and high gain (> 80dB at 10.7MHz), external component placement and PC layout are critical. The major consideration is the effect of output to input coupling. The highest IF output signal will be at pins 8 and 9; therefore, the quad coil components should not be placed near the IF input pin 1. By keeping the input impedance low (< 500Ω) the chances of output to input coupling are reduced. Another and perhaps the most insidious form of feedback is via the ground pin connections. As stated earlier the LM3089 has two ground pins; the pin 4 ground should be used only for the IF input decoupling. The pin 4 ground is usually connected to the pin 14 ground by a trace under the IC. Decoupling of VCC (pin 11), AGC driver (pin 15), meter driver (pin 13), mute control (pin 12) and in some cases the 5.6V REF (pin 10) should be done on the ground pin 14 side of the IC. The PC layout of Figure 3.7.3 has been used successfully for input impedances of 500Ω (1kΩ source/1kΩ load).

3.7.4 Selecting Quad Coil Components

The reader can best understand the selection process by example (see Figure 3.7.4):

Given: require quad coil bandwidth equal to 800kHz

$$f_0 = 10.7\text{MHz}$$

$$Q_U (\text{unloaded}) = 75$$

Find: L_{CH} and R_{EXT}

Find loaded Q of quad coil for required BW (Q_L)

$$Q_L = \frac{f_0}{\text{BW}} = \frac{10.7\text{MHz}}{0.8\text{MHz}} = 13.38$$

Find total resistance across quad coil for required BW (R_T)

$$R_T = Q_L \times X_{L1} = 13.38 (2\pi f_0 L_1) = 1981\Omega$$

Find reactance of coupling choke (X_{LCH})

$$X_{LCH} = \frac{R_T V_8}{V_9} = \frac{1981 \times 0.110}{0.15} = 1453\Omega$$

Find inductance of coupling choke (L_{CH})

$$L_{CH} = \frac{X_{LCH}}{2\pi f} = \frac{1453\Omega}{6.72 \times 10^7} = 22\mu\text{H}$$

Find parallel resistance of the unloaded quad coil (R_p)

$$R_p = X_{L1} Q_{UL} = 148\Omega \times 75 = 11.1\text{k}\Omega$$

Convert R₃₁, L_{CH} series to parallel resistance (R_{L31})

$$R_{L31} = \frac{(X_{LCH})^2}{R_{31}} = \frac{1453^2}{390} = 5413\Omega$$

Find R_{EXT} for R_T = R_p || R_{L31} || R_{EXT}

$$R_{EXT} = \frac{1}{\frac{1}{R_T} - \frac{1}{R_p} - \frac{1}{R_{L31}}} = 4348$$

Use R_{EXT} = 4.3k.

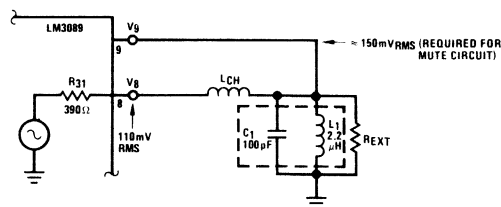


FIGURE 3.7.4 Quad Coil Equivalent Circuit

3.7.5 Typical Application of the LM3089

The circuit in Figure 3.7.5 illustrates the simplicity in designing an FM IF. The ceramic filters used in this application have become very popular in the last few years because of their small physical size and low cost. The filters eliminate all but one IF alignment step. The filters are terminated at the LM3089 input with 330Ω. Disc ceramic type capacitors with typical values of 0.01 to 0.02 μF should be used for IF decoupling at pins 2 and 3.

3

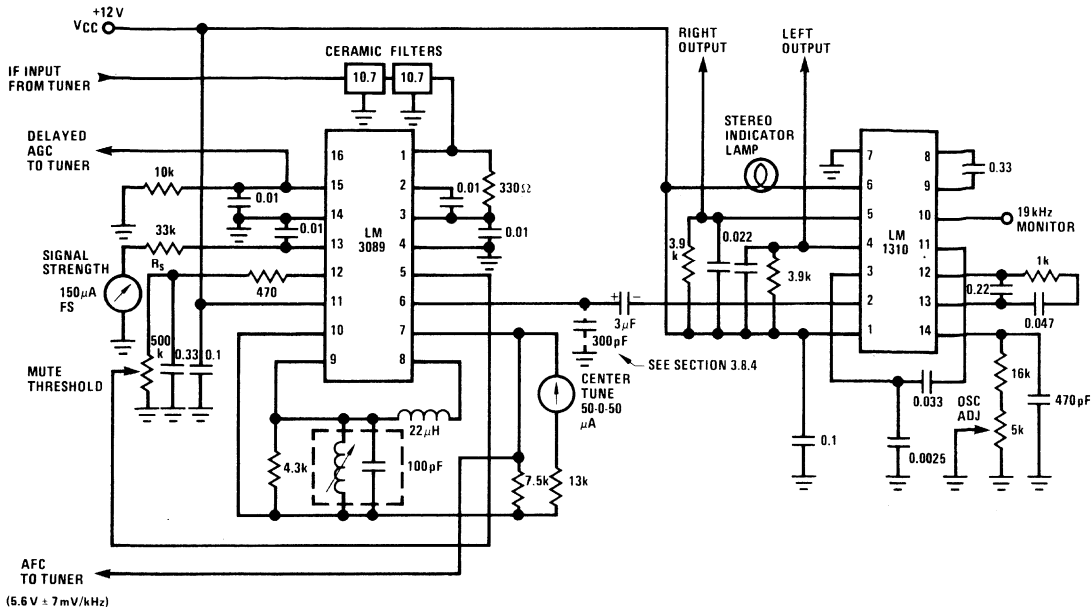


FIGURE 3.7.5 Typical Application of the LM3089

The AFC output at pin 7 can serve a dual purpose. In Figure 3.7.6 AFC sensitivity, expressed as mV/kHz, is programmed externally with a resistor from pin 7 to pin 10. A voltage reference other than pin 10 may be used as long as the pin 7 voltage stays less than 2V from the supply and greater than 2V from ground. The voltage change for a 5kΩ resistor will be $\approx 7.5\text{mV/kHz}$ or $\approx 1.5\mu\text{A/kHz}$. The AFC output can also be used to drive a center tune meter. The full scale sensitivity is also programmed externally. The wide band characteristics of the detector and audio stage make the LM3089 particularly suited for stereo receivers. The detector bandwidth extends greater than 1MHz, therefore the phase delay of the composite stereo signal, especially the 38kHz side bands, is essentially zero. This wide bandwidth will become more important in the future when four channel stereo transmissions become a reality.

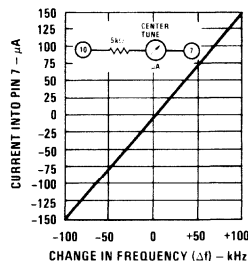


FIGURE 3.7.6 AFC (Pin 7) Characteristics vs. IF Input Frequency Change

The audio stage can be muted by an input voltage to pin 5. Figure 3.7.8 shows this attenuation characteristic. The voltage for pin 5 is derived from the mute logic detector pin 12. Figure 3.7.7 shows how the pin 12 voltage rises when the IF input is below 100μV. The 470Ω resistor and 0.33μF capacitor filter out noise spikes and allow a smooth mute transition. The pot is used to set or disable the mute threshold. When the pot is set for maximum mute sensitivity some competitors' versions of the LM3089 would cause a latch-up condition, which results in pin 12 staying high for all IF input levels. National's LM3089 has been designed such that this latch-up condition cannot occur.

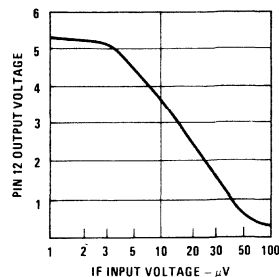


FIGURE 3.7.7 Mute Control Output (Pin 12) vs. IF Input Signal

The signal strength meter is driven by a voltage source at pin 13 (Figure 3.7.9). The value of the series resistor is determined by the meter used:

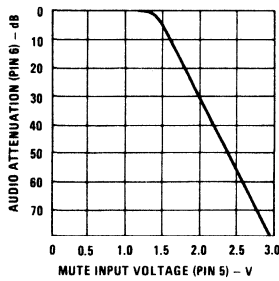


FIGURE 3.7.8 Typical Audio Attenuation (Pin 6) vs. Mute Input Voltage (Pin 5)

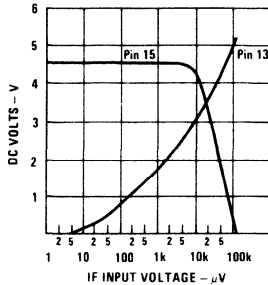


FIGURE 3.7.9 Typical AGC (Pin 15) and Meter Output (Pin 13) vs. IF Input Signal

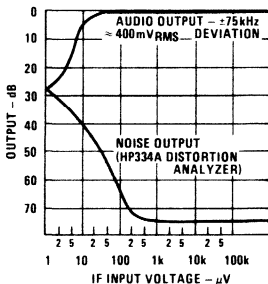


FIGURE 3.7.10 Typical (S + N)/N and IF Limiting Sensitivity vs. IF Input Signal

$$R_S = \frac{V_{MAX}(13)}{I_{FS}} = \frac{5V}{150\mu A} = 33k$$

The maximum current from pin 13 should be limited to approximately 2mA. Short circuit protection has been included on the chip.

The delayed AGC (pin 15) is also a voltage source (Figure 3.7.9). The maximum current should also be limited to approximately 2mA.

Figure 3.7.10 shows the typical limiting sensitivity (measured at pin 1) of the LM3089 when configured per Figure 3.7.3b and using PC layout of Figure 3.7.3a.

3.8 FM STEREO MULTIPLEX

3.8.1 Introduction

The LM1310/1800 is a phase locked loop FM stereo demodulator. In addition to separating left (L) and right (R) signal information from the detected IF output, this IC family features automatic stereo/monaural switching and a 100mA stereo indicator lamp driver. The LM1800 has the additional advantage of 45dB power supply rejection. Particularly attractive is the low external part count and total elimination of coils. A single inexpensive potentiometer performs all tuning. The resulting FM stereo system delivers high fidelity sound while still meeting the cost requirements of inexpensive stereo receivers.

Figures 3.8.1 and 3.8.2 outline the role played by the LM1310/1800 in the FM stereo receiver. The frequency domain plot shows that the composite input waveform contains L+R information in the audio band and L-R information suppressed carrier modulated on 38kHz. A 19kHz pilot tone, locked to the 38kHz subcarrier at the transmitter, is also included. SCA information occupies a higher band but is of no importance in the consumer FM receiver.

The block diagram (Figure 3.8.2) of the LM1800 shows the composite input signal applied to the audio frequency amplifier, which acts as a unity gain buffer to the decoder section. A second amplified signal is capacitively coupled to two phase detectors, one in the phase locked loop and the other in the stereo switching circuitry. In the phase locked loop, the output of the 76kHz voltage controlled oscillator (VCO) is frequency divided twice (to 38, then 19kHz), forming the other input to the loop phase detector. The output of the loop phase detector adjusts the VCO to precisely 76kHz. The 38kHz output of the first frequency divider becomes the regenerated subcarrier which demodulates L-R information in the decoder section. The amplified composite and an "in phase" 19kHz signal, generated in the phase locked loop, drive the "in phase" phase detector. When the loop is locked, the DC output voltage of this phase detector measures pilot amplitude. For pilot signals sufficiently strong to enable good stereo reception the trigger latches, applying regenerated subcarrier to the decoder and powering the stereo indicator lamp. Hysteresis, built into the trigger, protects against erratic stereo/monaural switching and the attendant lamp flicker.

In the monaural mode (electronic switch open) the decoder outputs duplicate the composite input signal except that the de-emphasis capacitors (from pins 3 and 6 to ground) roll off with the load resistors at 2kHz. In the stereo mode (electronic switch closed), the decoder demodulates the L-R information, matrixes it with the L+R information, then delivers buffered separated L and R signals to output pins 4 and 5 respectively.

Figure 3.8.3 is an equivalent schematic of an LM1800. The LM1310 is identical except the output turnaround circuitry (Q35-Q38) is eliminated and the output pins are connected to the collectors of Q39-Q42. Thus the LM1310 is essentially a 14 pin version of the LM1800, with load resistors returned to the power supply instead of ground. The National LM1800 is a pin-for-pin replacement for the UA758, while the LM1310 is a direct replacement for the MC1310.

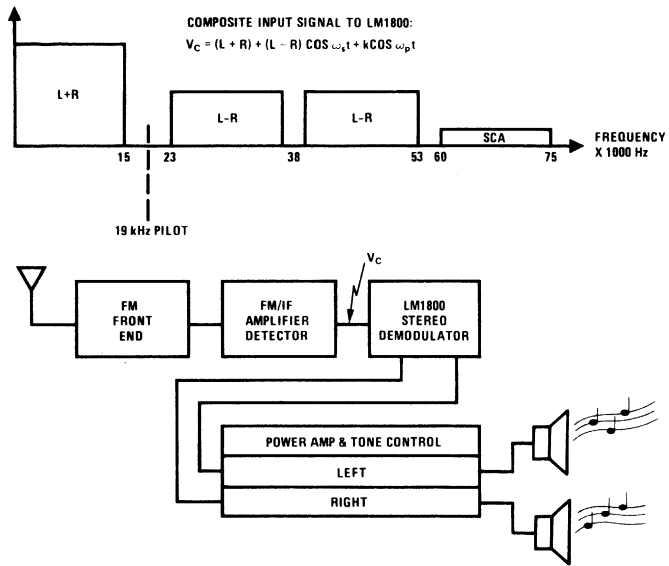


FIGURE 3.8.1 FM Receiver Block Diagram and Frequency Spectrum of LM1800 Input Signal

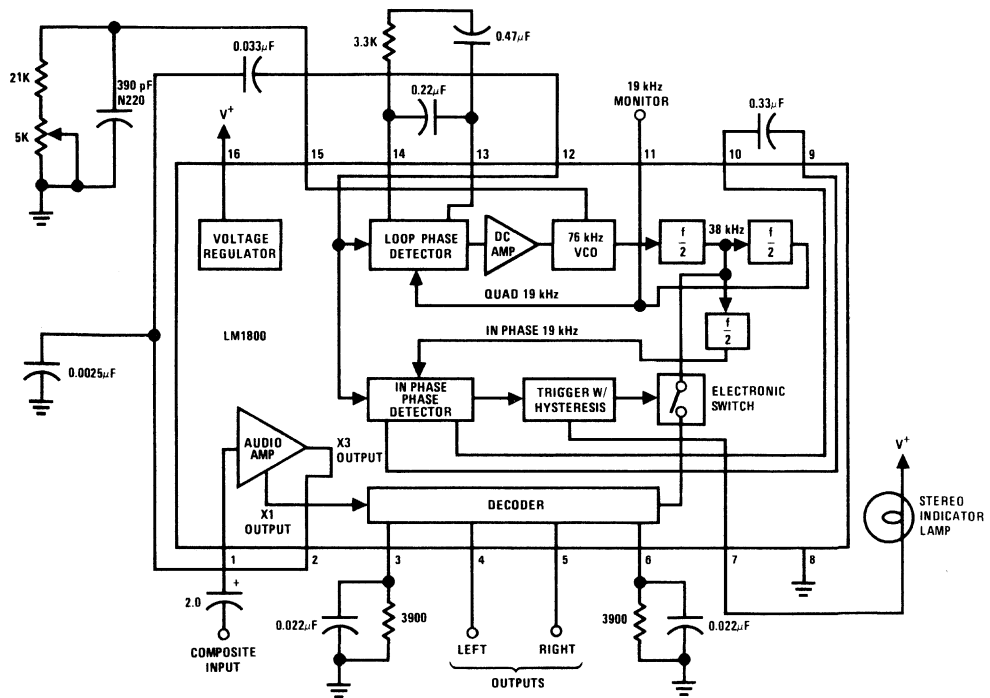


FIGURE 3.8.2 LM1800 Block Diagram

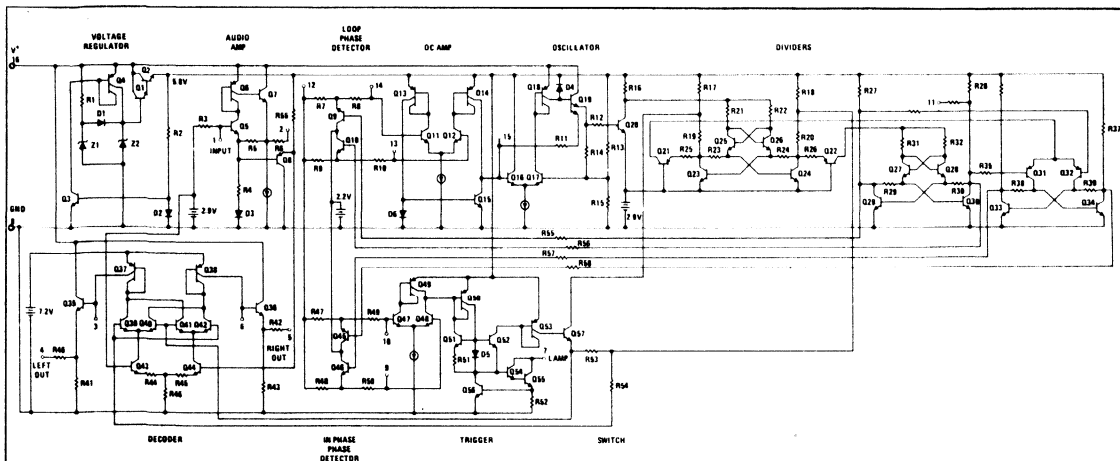


FIGURE 3.8.3 LM1800 Equivalent Schematic

3.8.2 LM1800 Typical Application

The circuit in Figure 3.8.4 illustrates the simplicity of designing an FM stereo demodulation system using the LM1800. R_3 and C_3 establish an adequate loop capture range and a low frequency well damped natural loop resonance. C_8 has the effect of shunting phase jitter, a dominant cause of high frequency channel separation problems. Recall that the 38kHz subcarrier regenerates by phase locking the output of a 19kHz divider to the pilot tone. Time delays through the divider result in the 38kHz waveform leading the transmitted subcarrier. Addition of capacitor C_9 ($0.0025\mu\text{F}$) at pin 2 introduces a lag at the input to the phase lock loop, compensating for these frequency divider delays. The output resistance of the audio amplifier is designed at 500Ω to facilitate this connection.

The capture range of the LM1800 can be changed by altering the external RC product on the VCO pin. The loop gain can be shown to decrease for a decrease in VCO resistance ($R_4 + R_5$ in Figure 3.8.4). Maintaining a constant RC product, while increasing the capacity from 390pF to 510pF , narrows the capture range by about 25%. Although the resulting system has slightly improved channel separation, it is more sensitive to VCO tuning.

When the circuits so far described are connected in an actual FM receiver, channel separation often suffers due to imperfect frequency response of the IF stage. The input lead network of Figure 3.8.5 can be used to compensate for roll off in the IF and will restore high quality stereo sound. Should a receiver designer prefer a stereo/monaural switching point different from those programmed into the

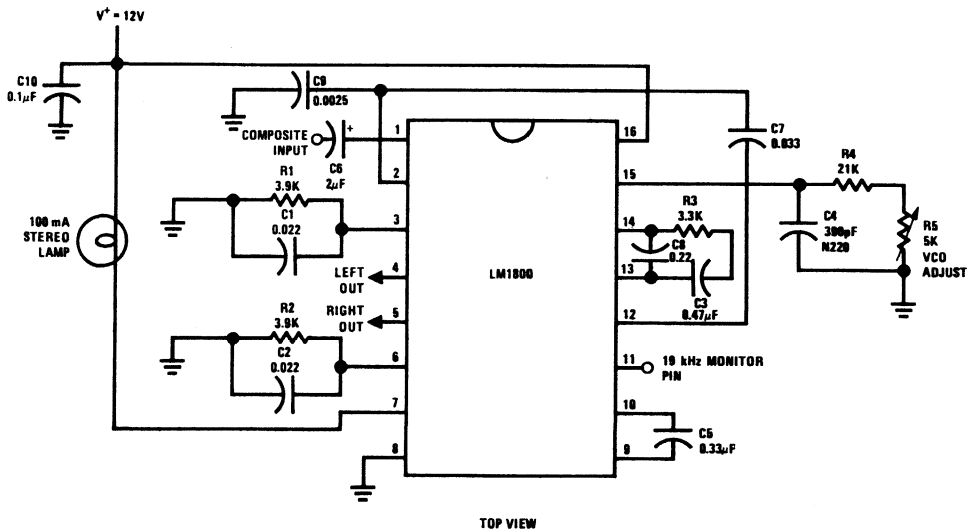


FIGURE 3.8.4 LM1800 Typical Application

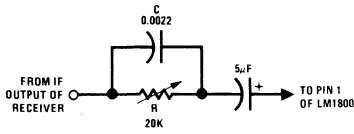


FIGURE 3.8.5 Compensation for Receiver IF Rolloff

LM1800 (pilot: 15mV_{RMS} on, 6.0mV_{RMS} off typical), the circuit of Figure 3.8.6 provides the desired flexibility.

The user who wants slightly increased voltage gain through the demodulator can increase the size of the load resistors (R_1 and R_2 of Figure 3.8.4), being sure to correspondingly change the de-emphasis capacitors (C_1 and C_2). Loads as high as 5600 Ω may be used (gain of 1.4). Performance of the LM1800 is virtually independent of the supply voltage used (from 10 to 16V) due to the on-chip regulator.

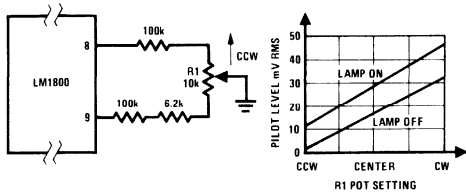


FIGURE 3.8.6 Stereo/Monaural Switch Point Adjustment

Although the circuit diagrams show a 100mA indicator lamp, the user may desire an LED. This presents no problem for the LM1800 so long as a resistor is connected

in series to limit current to a safe value for the LED. The lamp or LED can be powered from any source (up to 18V), and need not necessarily be driven from the same supply as the LM1800.

3.8.3 LM1310 Typical Application

Figure 3.8.7 shows a typical stereo demodulator design using the LM1310. Capture range, lamp sensitivity adjustment and input lead compensation are all accomplished in the same manner as for the LM1800.

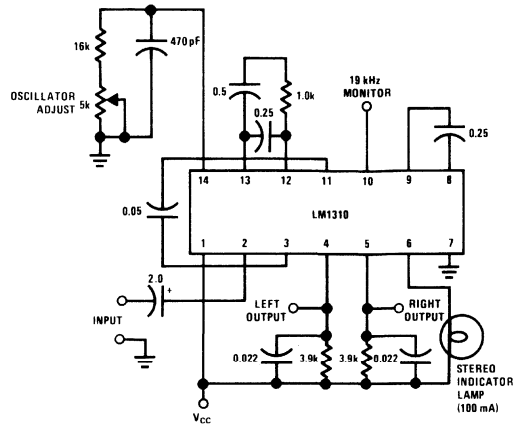


FIGURE 3.8.7 LM1310 Typical Application

3.8.4 Special Considerations of National's LM1310/1800

A growing number of FM stereo systems use the industry standard IF (LM3089) with an industry standard demodulator (LM1310/1800) as in Figure 3.8.8.

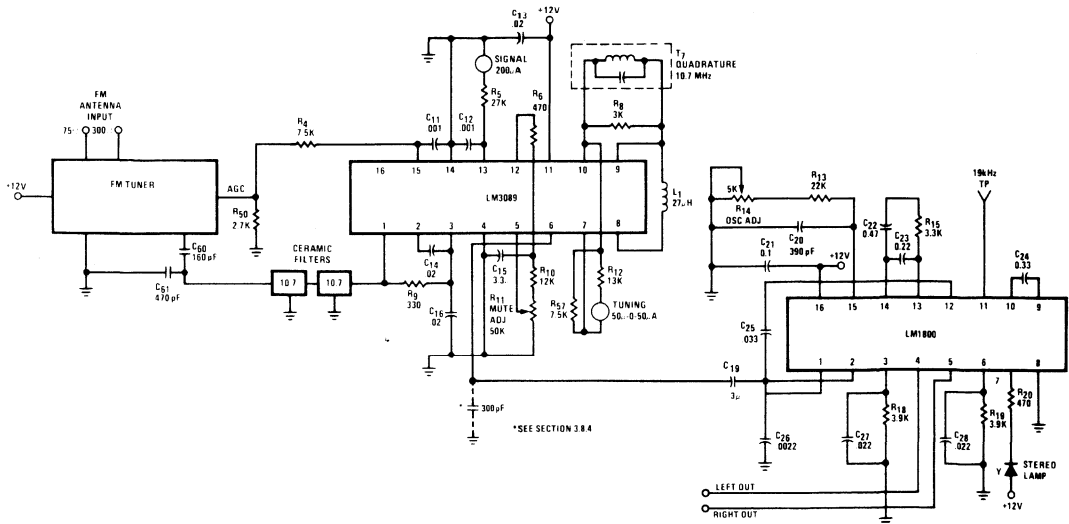


FIGURE 3.8.8 LM3089/LM1800 Application

The optional 300pF capacitor on pin 6 of the LM3089 is often used to limit the bandwidth presented to the demodulator's input terminals. As the IF input level decreases and the limiting stages begin to come out of limiting, the detector noise bandwidth increases. Most competitive versions of the LM1310 would inadvertently AM detect this noise in their input "audio amplifier," resulting in decreased system signal-to-noise. They therefore require the 300pF capacitor, which serves to eliminate this noise from the demodulator's input by decreasing bandwidth, and thus the system maintains adequate S/N.

The National LM1310 has been designed to eliminate the AM noise detection phenomenon, giving excellent S/N performance either with or without a bandlimited detected IF. Channel separation also is improved by elimination of the 300pF capacitor since it introduces undesirable phase shift. The National LM1800 has the same feature, as do competitive 16 pin versions.

For systems demanding superior THD performance, the LM1800A is offered with a guaranteed maximum of 0.3%. Representing the industry's lowest THD value available in stereo demodulators, the LM1800A meets the tough requirements of the top-of-the-line stereo receiver market.

Utilization of the phase locked loop principle enables the LM1310/1800 to demodulate FM stereo signals without the use of troublesome and expensive coils. The numerous features available on the demodulator make it extremely attractive in a variety of home and automotive receivers. Indeed the LM1310/1800 represents today's standard in integrated stereo FM demodulators.

3.9 DEFINITION OF TERMS

AGC DC Output Shift: The shift of the quiescent IC output voltage of the AGC section for a given change in AGC central voltage.

AGC Figure of Merit (AGC Range): The widest possible range of input signal level required to make the output drop by a specified amount from the specified maximum output level.

AGC Input Current: The current required to bias the central voltage input of the AGC section.

AM Rejection Ratio: The ratio of the recovered audio output produced by a desired FM signal of specified level and duration to the recovered audio output produced by an unwanted AM signal of specified amplitude and modulating index.

AM Suppression: See AM Rejection Ratio.

Capture Ratio: A measure of an FM tuner's ability to reject an interfering signal of the same frequency as the desired signal (i.e., operating on the same carrier frequency); it is the ratio of desired to undesired signal required for 30dB suppression of the undesired signal (IHF Std.).

Channel Separation: The level of output signal of an undriven amplifier with respect to the output level of an adjacent driven amplifier.

Harmonic Distortion: That percentage of harmonic distortion being defined as one hundred times the ratio of the root-mean-square (RMS) sum of the harmonics to the fundamental. Percent harmonic distortion equals:

$$\frac{\sqrt{V_2^2 + V_3^2 + V_4^2 + \dots}}{V_1} (100\%)$$

where V_1 is the RMS amplitude of the fundamental and V_2, V_3, V_4, \dots are the RMS amplitudes of the individual harmonics.

IF Bandwidth: The range of frequencies centered about the IF frequency limited by the -3dB amplitude points.

IF Selectivity: The ability of the IF stages to accept the signal from one station while rejecting the signal of the adjacent stations; it is the ratio of desired to undesired signal required for 30dB suppression of the undesired signal (IHF Std.).

Input Bias Current: The average of the two input currents.

Input Resistance: The ratio of the change in input voltage to the change in input current on either input with the other grounded.

Input Sensitivity: The minimum level of input signal at a specified frequency required to produce a specified signal-to-noise ratio at the recovered audio output.

Input Voltage Range: The range of voltages on the input terminals for which the amplifier operates within specifications.

Large-Signal Voltage Gain: The ratio of the output voltage swing to the change in input voltage required to drive the output from zero to this voltage.

Limiting Sensitivity: In FM the input signal level which causes the recovered audio output level to drop 3dB from the output level with a specified large signal input.

Limiting Threshold: See Limiting Sensitivity.

Monaural Channel Unbalance: The ratio of the outputs from the right and left channels with a monaural signal applied to the input.

Noise Figure: The common logarithm of the ratio of the input signal-to-noise ratio to the output signal-to-noise ratio.

Output Resistance: The ratio of the change in output voltage to the change in output current with the output around zero.

Output Voltage Swing: The peak output voltage swing, referred to zero, that can be obtained without clipping.

Power Bandwidth: That frequency at which the voltage gain reduces to $1/\sqrt{2}$ with respect to the flat band voltage gain specified for a given load and output power.

Power Supply Rejection: The ratio of the change in input offset voltage to the change in power supply voltages producing it.

Recovered Audio: The value of the audio voltage measured at the output under the specified circuit conditions.

RF Noise Voltage: The equivalent input noise voltage of the RF stage.

RF Transconductance: The ratio of the RF output current to the RF input voltage.

SCA Rejection: The ratio of the 67kHz SCA signal at the output to the desired output with the standard FCC signal input.

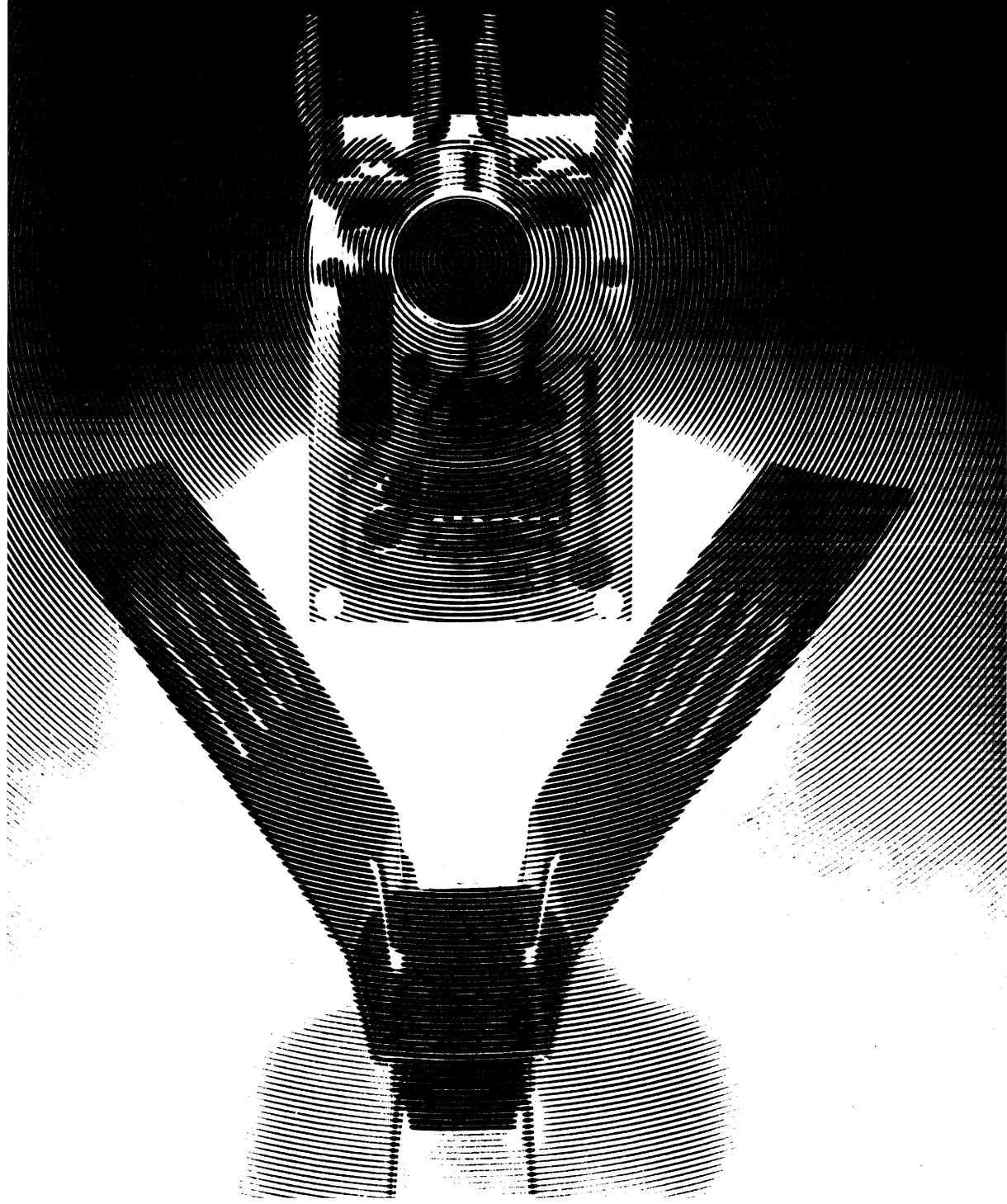
Sensitivity: See Limiting Sensitivity.

Slew Rate: The internally limited rate of change in output voltage with a large amplitude step function applied to the input.

Supply Current: The current required from the power supply to operate the amplifier with no load and the output at zero.

3

Section 4.0 Power Amplifiers



4.0 Power Amplifiers



4.1 INSIDE POWER INTEGRATED CIRCUITS

Audio power amplifiers manufactured using integrated circuit technology do not differ significantly in circuit design from traditional operational amplifiers. Use of current sources, active loads and balanced differential techniques predominate, allowing creation of high-gain, wide bandwidth, low distortion devices. Major design differences appear only in the class AB high current output stages where unique geometries are required and special layout techniques are employed to guarantee thermal stability across the chip.

The material presented in the following sections serves as a brief introduction to the design techniques used in audio power integrated circuits. Hopefully, a clearer understanding of the internal "workings" will result from reading the discussion, thus making application of the devices easier.

4.1.1 Frequency Response and Distortion

Most audio amplifier designs are similar to Figure 4.1.1. An input transconductance block ($g_m = i_o/v_1$) drives a high gain inverting amplifier with capacitive feedback. To this is added an output buffer with high current gain but unity voltage gain. The resulting output signal is defined by:

$$v_o = v_1 g_m X_c \quad (4.1.1)$$

or, rewriting in terms of gain:

$$A_v = \frac{v_o}{v_1} = g_m X_c = \frac{g_m}{sC} = \frac{g_m}{j\omega C} \quad (4.1.2)$$

Setting Equation (4.1.2) equal to unity allows solution for the amplifier unity gain cross frequency:

$$A_v = 1 = \frac{g_m}{j\omega C} = \frac{g_m}{j2\pi f C} \quad (4.1.3)$$

$$f_{UNITY} = \frac{g_m}{2\pi f C} \quad (4.1.4)$$

Equation (4.1.2) indicates a single pole response resulting in a 20dB/decade slope of the gain-frequency plot in Figure 4.1.1. There is, of course, a low frequency pole which is determined by the compensation capacitor and the resistance to ground seen at the input of the inverting amplifier. Usually this pole is below 100Hz so it plays only a small role in determining amplifier performance in usual feedback arrangements.

For an amplifier of this type to be stable in unity gain feedback circuits, it is necessary to arrange g_m and C so that the unity gain crossover frequency is about 1 MHz. This is, in short, due to a few other undesirable phase shifts that are difficult to avoid when using lateral PNP transistors in monolithic realizations of the transconductance as well as the buffer blocks. Figure 4.1.1 shows that if f_{UNITY} is 1 MHz then only 34dB of gain is available at 20kHz! Since most audio circuits require more gain, most IC audios are not compensated to unity. Evaluation of the LM380 or LM377 will show stability troubles in loops fed back for less than 20dB closed loop gain.

Consider for a moment the problem in audio designs with distortion (THD). The buffer of Figure 4.1.1 is essentially an emitter follower (NPN during positive half cycles and PNP during negative halves due to class B operation). As a result the load presented to the collector of the gain transistor is different depending on which half cycle the output is in. The buffer amplifier itself often contributes in the form of crossover distortion. Suppose for a moment that the amplifier were to be used open loop (i.e., without any AC feedback) and that the result was an output signal distorted 10% at 10kHz. Further assume the open loop gain-frequency is as in Figure 4.1.2 so that the amplifier is running at 60dB of gain. Now add negative feedback around the amplifier to set its gain at 40dB and note that its voltage gain remains flat with frequency throughout the audio band. In this configuration there is 20dB of loop gain (the difference between open loop gain and closed loop gain) which works to correct the distortion in the output waveform by about 20dB, reducing it from the 10% open loop value to 1%. Further study of Figure 4.1.2 shows that there is more loop gain at lower frequencies which should, and does, help the THD at lower frequencies. The reduction in loop gain at high frequencies likewise allows more of the open loop distortion to show.

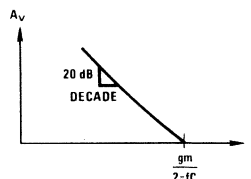
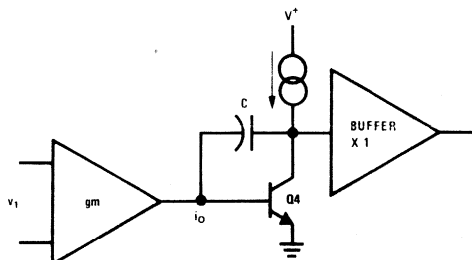


FIGURE 4.1.1 Audio Amp Small Signal Model

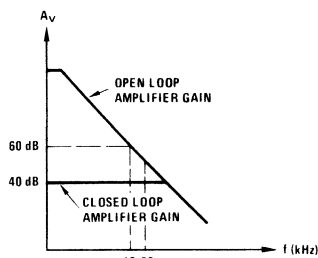


FIGURE 4.1.2 Feedback and "Loop Gain"

4.1.2 Slew Rate

Not only must IC audio amplifiers have more bandwidth than "garden variety" op amps, they must also have higher slew rates. Slew rate is a measure of the ability of an amplifier's large signal characteristics to match its own small signal responses. The transconductance block of Figure 4.1.1 delivers a current out for a given small signal input voltage. Figure 4.1.3 shows an input stage typically used in audio amplifiers. Even for large differential input voltage drives to the PNP bases, the current available can never surpass I . And this constant current (I) charging the compensation capacitor (C) results in a ramp at Q_1 's collector. The slope of this ramp is defined as slew rate and usually is expressed in terms of volts per microsecond. Increasing the value of the current source does increase slew rate, but at the expense of increased input bias current and gm. Large gm values demand larger compensation capacitors which are costly in IC designs. The optimum compromise is to use large enough I to achieve adequate slew rate and then add emitter degeneration resistors to the PNPs to lower gm.

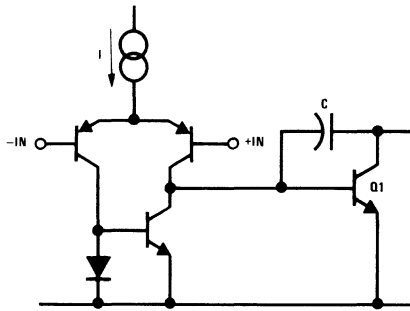


FIGURE 4.1.3 Typical gm Block

Slew rate can be calculated knowing only I and C :

$$\frac{\Delta V}{\Delta t} = \frac{I}{C} \quad (4.1.5)$$

To more clearly understand why slew rate is significant in audio amplifiers, consider a 20kHz sine wave swinging $40V_{p-p}$, a worst case need for most of today's audios. The rate of change of voltage that this demands is maximum at zero crossing and is $2.5V/\mu s$. Equation (4.1.6) is a general expression for solving required slew rate for a given sinusoid. (See Section 1.2.1.)

$$\text{Slew rate} = \frac{\Delta V}{\Delta t} = \pi f V_{p-p} \quad (4.1.6)$$

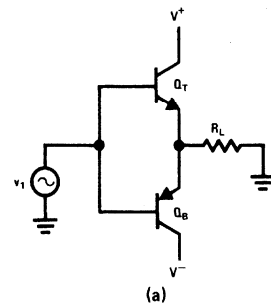
4.1.3 Output Stages

In the final analysis a buffer stage that delivers amperes of load current is the main distinction between audio and op amp designs. The classic class B is merely a PNP and NPN capable of huge currents, but since the IC designer lacks good quality PNPs, a number of compromises results. Figure 4.1.4b shows the bottom side PNP replaced with a composite PNP/NPN arrangement. Unfortunately, Q_2/Q_3 form a feedback loop which is quite inclined to oscillate in the 2-5MHz range. Although the oscillation frequency is well above the audible range, it can be troublesome when placed

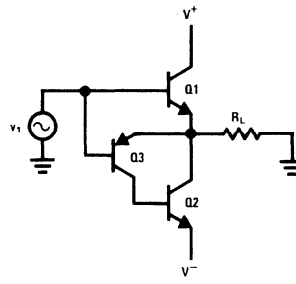
in proximity to an RF receiver. Among the stabilization techniques that are in use, with varying degrees of success are:

1. Placing an external RC from the output pin to ground to lower the gain of the PNP. This works pretty well and appears on numerous data sheets as an external cure.
2. Utilizing device geometry methods to improve the PNP's frequency response. This has been done successfully in the LM377, LM378, LM379. The only problem with this scheme is that biasing the improved PNP reduces the usable output swing slightly, thereby lowering output power capability.
3. Addition of resistance in series with either the emitter or base of Q_3 .
4. Making Q_3 a controlled gain PNP of unity, which has the added advantage of keeping gain more nearly equal for each half cycle.
5. Adding capacitance to ground from Q_3 's collector.

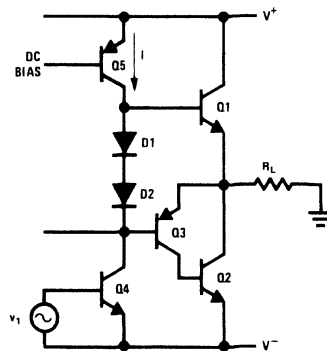
These last three work sometimes to some degree at most current levels.



(a)



(b)



(c)

FIGURE 4.1.4 Basic Class B Output Drivers

Figure 4.1.5 illustrates crossover distortion such as would result from the circuit in Figure 4.1.4b. Beginning with Q_1 "on" and the amplifier output coming down from the top half cycle towards zero crossing, it is clear that the emitter of Q_1 can track its base until the emitter reaches zero volts. However, as the base voltage continues below 0.7V, Q_1 must turn off; but Q_2/Q_3 cannot turn on until the input generator gets all the way to $-0.7V$. Thus, there is a 1.4V of dead zone where the output cannot respond to the input. And since the size of the dead zone is independent of output amplitude, the effect is more pronounced at low levels. Of course feedback works to correct this, but the result is still a somewhat distorted waveform — one which has an unfortunately distasteful sound. Indeed the feedback loop or the composite PNP sometimes rings as it tries to overcome the nonlinearity, generating harmonics that may disturb the receiver in radio applications. The circuit of Figure 4.1.4c adds "AB bias." By running current through D_1 and D_2 , the output transistors are turned slightly "on" to allow the amplifier to traverse the zero volts region smoothly. Normally much of the power supply current in audio amplifiers is this AB bias current, running anywhere from 1 to 15mA per amplifier.

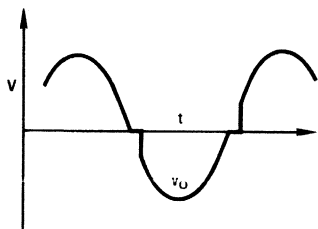


FIGURE 4.1.5 Crossover Distortion

Some amplifiers at high frequencies (say 10kHz) exhibit slightly more crossover distortion when negative going than when positive going through zero. This is explained by the slow composite PNPs' (Q_2/Q_3) delay in turning "on." If the amplifier delivers any appreciable load current in the top half cycle, the emitter current of Q_1 causes its base-emitter voltage to rise and shut "off" Q_3 (since the voltage across D_1 and D_2 is fixed by I). Thus, fast negative going signals demand the composite to go from full "off" to full "on" — and they respond too slowly. As one might imagine, compensating the loop (Q_2 and Q_3) for stability even slows the switching time more. This problem makes very low distortion IC amplifiers ($< 0.2\%$) difficult at the high end of the audio (20kHz).

Another interesting phenomenon occurs when some IC amplifiers oscillate at high frequencies — their power supply current goes up and they die! This usually can be explained by positive going output signals where the fast top NPN transistor (Q_1) turns "on" before the sluggish composite turns "off," resulting in large currents passing straight down through the amplifier (Q_1 and Q_2).

The distortion components discussed so far have all been in terms of circuit nonlinearities and the loop gain covering them up. However, at low frequencies (below 100Hz) thermal problems due to chip layout can cause distortion. In the audio IC, large amounts of power are dissipated in the output driver transistors causing thermal gradients across the die. Since a sensitive input amplifier shares the same piece of silicon, much care must be taken to preserve thermal symmetry to minimize thermal feedback.

Despite the many restrictions on audio IC designs, today's devices do a credible job, many boasting less than 1% THD from 20Hz to 20kHz — not at all a bad feat!

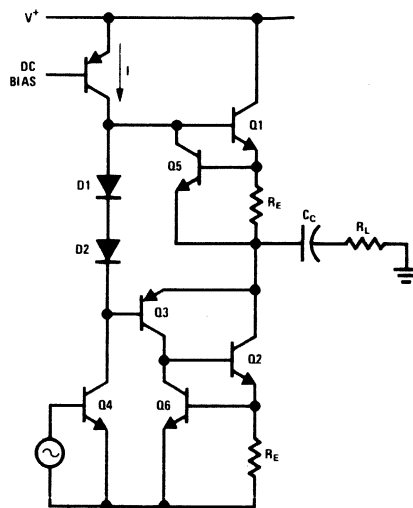


FIGURE 4.1.6 Simple Current Limit

4.1.4 Output Protection Circuitry

By the very nature of audio systems the amplifier often drives a transducer — or speaker — remote from the electronic components. To protect against inadvertent shorting of the speaker some audio ICs are designed to self limit their output current at a safe value. Figure 4.1.6 is a simple approach to current limiting: here Q_5 or Q_6 turns "on" to limit base drive to either of the output transistors (Q_1 or Q_2) when the current through the emitter resistors is sufficient to threshold an emitter base junction. Limiting is sharp on the top side since Q_5 has to sink only the current source (I). However, the current that Q_6 must sink is more nebulous, depending on the alpha holdup of Q_3 , resulting in soft or mushy negative side limiting. Other connections can be used to sharpen the limiting action, but they usually result in a marginally stable loop that must be frequency compensated to avoid oscillation during limiting. The major disadvantage to the circuit of Figure 4.1.6 is that as much as 1.4V is lost from loaded output swing due to voltage dropped across the two R_E s.

The improved circuit of Figure 4.1.7 reduces the values of R_E for limiting at the same current but is usable only in Darlington configurations. It suffers from the same negative side softness but only consumes about 0.4V of output swing. There are a few other methods employed, some even consuming less than 0.4V. Indeed it is further possible to

add voltage information to the current limit transistor's base and achieve safe operating area protection. Care must be taken in such designs, however, to allow for a leading or lagging current of up to 60° to accommodate the variety of speakers on the market. However, the circuitry shown in Figures 4.1.6 and 4.1.7 is representative of the vast majority of audio ICs in today's marketplace.

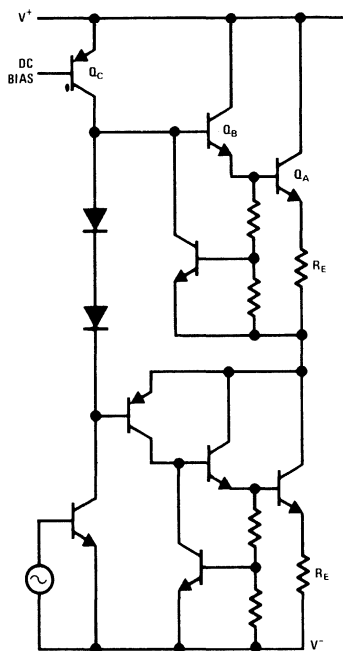


FIGURE 4.1.7 Improved Current Limit

Large amounts of power dissipation on the die cause chip temperatures to rise far above ambient. In audio ICs it is popular to include circuitry to sense chip temperature and shut down the amplifier if it begins to overheat. Figure 4.1.8 is typical of such circuits. The voltage at the emitter of Q_1 rises with temperature due both to the TC of the zener (Z_1) and Q_1 's base-emitter voltage. Thus, the voltage at the junction of R_1 and R_2 rises while the voltage required to threshold Q_2 's emitter-base junction falls with temperature. In most designs the resistor ratio is set to threshold Q_2 at about 165°C . The collector current of Q_2 is then used to disable the amplifier.

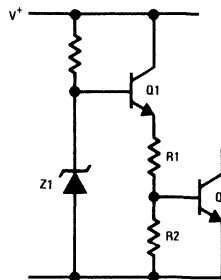


FIGURE 4.1.8 Typical Thermal Shutdown

The addition of thermal shutdowns in audio ICs has done much to improve field reliability. If the heat sinking is inadequate in a discrete design, the devices burn up. In a thermally protected IC the amplifier merely reduces drive to the load to maintain chip temperature at a safe value.

4.2 DESIGN TIPS ON LAYOUT, GROUND LOOPS AND SUPPLY BYPASSING

Layout, grounding and power supply decoupling of audio power integrated circuits require the same careful attention to details as preamplifier ICs. All of the points discussed in Section 2.2 of this handbook apply directly to the use of power amplifiers and should be consulted before use.

The relevant sections are reproduced here for cross-reference and convenience:

- Section 2.2.1 Layout
- Section 2.2.2 Ground Loops
- Section 2.2.3 Supply Bypassing
- Section 2.2.4 Additional Stabilizing Tips

4.3 POWER AMPLIFIER SELECTION

National Semiconductor's line of audio power amplifiers consists of two major families: the "Duals," represented by the LM377, LM378 and LM379 family, and the "Monos," represented by six products. Available power output ranges from miniscule 320mW battery operated devices to hefty 7W line operated systems. Designed for single supply operation, all devices may be operated from split supplies where required. Tables 4.3.1 and 4.3.2 summarize the dual family for ease of selection, while Table 4.3.3 compares the six mono devices. Figures 4.3.1-4.3.3 provide graphical comparison of power output versus supply voltage for loads of 4, 8 and 16 ohms.

TABLE 4.3.1 Dual Power Amplifier Characteristics

PARAMETER	LM377N (14 Pin DIP)			LM378N (14 Pin DIP)			LM379 ²			UNITS
	MIN	TYP	MAX	MIN	TYP	MAX	MIN	TYP	MAX	
Supply Voltage	10	20	26	10	24	35	10	28	35	V
Quiescent Supply Current ($P_{OUT} = 0W$)		15	50		15	50		15	65	mA
Output Power ³ THD $\leq 5\%$ THD = 10%	2	2.5		4	5		6	7		W W
Total Harmonic Distortion $P_{OUT} = 1W/CH, f = 1kHz$ $P_{OUT} = 2W/CH, f = 1kHz$ $P_{OUT} = 4W/CH, f = 1kHz$		0.07 0.10	1		0.07 0.10	1		0.07 0.20	1	% % %
Input Impedance	3			3			3			$M\Omega$
Open Loop Gain ($R_S = 0\Omega$)	66	90		66	90		66	90		dBV
Channel Separation ($C_F = 250\mu F, f = 1kHz$)	50	70		50	70		50	70		dBV
Ripple Rejection ($f = 120Hz, C_F = 250\mu F,$ input referred)	60	70		60	70		70			dBV
Slew Rate		1.4			1.4			1.4		V/ μs
Equivalent Input Noise Voltage ($R_S = 600\Omega, 100Hz-10kHz$)		3			3			3		μV_{RMS}

- Specifications apply for $T_{TAB} = 25^\circ C, R_L = 8\Omega, A_v = 50$ (34dB), $V_S = 20V$ (LM377), $V_S = 24V$ (LM378), $V_S = 28V$ (LM379), unless otherwise specified.
- LM379S = 14 Pin "S" Type Power DIP.
- For operation at ambient temperatures greater than $25^\circ C$ the IC must be derated based on a maximum $150^\circ C$ junction temperature using a thermal resistance obtained from device data sheet.
- Output protection included on all devices.

4

TABLE 4.3.2 Dual Audio Amplifier Typical P_o @ 10% THD

Supply	Device			Load Impedance	
				8 Ω	16 Ω
12	LM377	LM378	LM379	1.6W	—
16	↓	↓	↓	2.2	1.5W
18	↓	↓	↓	3.0	1.8
20	↓	↓	↓	3.8	2.4
22	↓	↓	↓	4.6	2.8
24	↓	↓	↓	5.4 ¹	3.6
26	↓	↓	↓	6.0	4.2
28	↓	↓	↓	7.0	5.0
30	↓	↓	↓	—	5.5

- LM379.
- LM378 (thermal limit).

TABLE 4.3.3 Mono Power Amplifier Characteristics

Device	Supply Voltage (V)			Output Power (W) at 10% THD						Quiescent Current (mA)			Fixed Gain (dB)		Gain Control (Typ dB)	Output Protection	
	Min	Typ	Max	RL = 4Ω			RL = 8Ω			RL = 16Ω			Min	Typ			Max
				Min	Typ	Max	Min	Typ	Max	Min	Typ	Max					
LM386 (8 Pin DIP) [LM389 ²]	4		12 ⁴														No
	6	0.32		0.25	0.32		0.18						26			YES (46)	
	9			0.5			0.5										
	12			0.3			0.9										
LM388 (14 Pin DIP)	4		12 ⁴														No
	6	0.45		0.4			0.2						23	26	30	YES (46)	
	9			1.0			0.6										
	12			1.5			1.1										
LM390 (14 Pin DIP)	4		10														No
	6	0.8		0.6			0.34						23	26	30	YES (46)	
	9			1.2			0.77										
LM380 (14 Pin DIP)	8		20														No
	12	2.5		1.5			0.5						32	34	36	No	
	14	3.3		2.2			1.0										
	18	4.2		4.0	2.5 ³		2.2										
LM384 (14 Pin DIP)	12		26														YES
	18	4.2		4.0			2.2						34			No	
	22	3.5		5.0	5.7		3.5										

1. Specifications apply for TA = 25°C. For operation at ambient temperatures greater than 25°C the IC must be derated based on a maximum 150°C junction temperature using a thermal resistance obtained from device data sheet.
 2. LM389 identical to LM386, but includes three additional NPN transistors pinned out separately for customer use. 18 Pin DIP.
 3. THD = 3%.
 4. Parts selected for higher absolute maximum supply voltage available on special request.

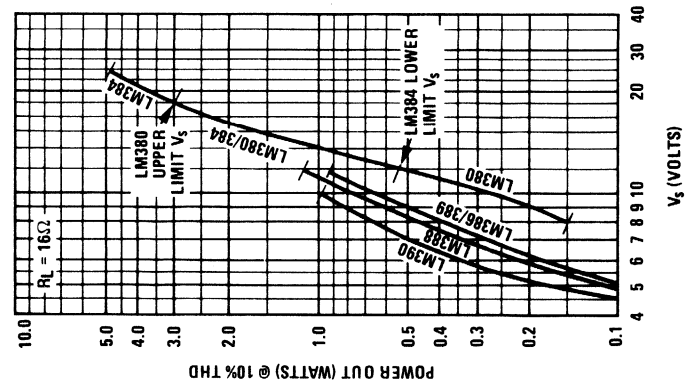


FIGURE 4.3.3 P_o vs. V_s for $R_L = 16 \text{ Ohms}$

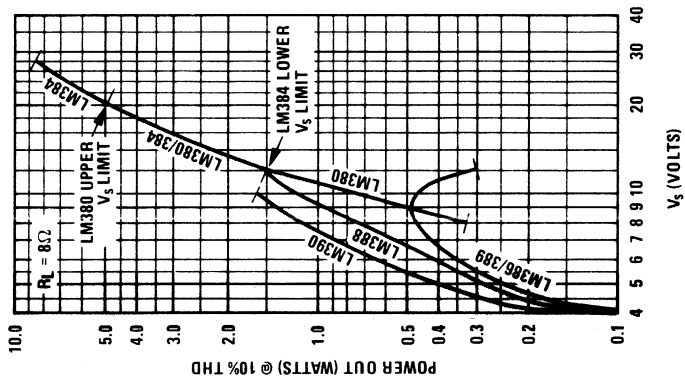


FIGURE 4.3.2 P_o vs. V_s for $R_L = 8 \text{ Ohms}$

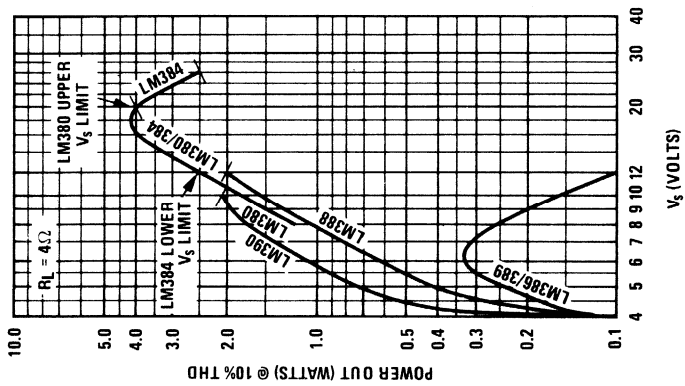


FIGURE 4.3.1 P_o vs. V_s for $R_L = 4 \text{ Ohms}$

4.4 LM377, LM378, AND LM379 DUAL TWO, FOUR, AND SIX WATT POWER AMPLIFIERS

4.4.1 Introduction

The LM377, LM378 and LM379 are two-channel power amplifiers capable of delivering 2, 4, and 6 watts respectively into 8 or 16 Ω loads. They feature on-chip frequency compensation, output current limiting, thermal shutdown protection, fast turn-on and turn-off without "pops" or pulses of active gain, an output which is self-centering at $V_{CC}/2$, and a 5 to 20MHz gain-bandwidth product. Applications include stereo or multi-channel audio power output for phono, tape or radio use over a supply range of 10 to 35V, as well as servo amplifier, power oscillator and various instrument system circuits. Normal supply is single-ended; however, split supplies may be used without difficulty or degradation in power supply rejection.

4.4.2 Circuit Description

The simplified schematic of Figure 4.4.1 shows the important design features of the amplifier. The differential input stage made up of Q₁-Q₄ uses a double (split) collector PNP Darlington pair having several advantages. The high base-emitter breakdown of the lateral PNP transistor is about 60V, which affords significant input over-voltage protection. The double collector allows operation at high emitter current to achieve good first stage f_t and minimum phase shift while simultaneously operating at low transconductance to allow internal compensation with a physically small capacitor C₁. (Unity gain bandwidth of an amplifier with pole-splitting compensation occurs where the first stage transconductance equals ωC_1 .)

Further decrease of transconductance is provided by degeneration caused by resistors at Q₂ and Q₃ emitters, which also allow better large signal slew rate. The second collector provides bias current to the input emitter follower for increased frequency response and slew rate. Full differential input stage gain is provided by the "turnaround" differential to single-ended current source loads Q₅ and Q₆. The input common-mode voltage does not extend below about 0.5V above ground as might otherwise be expected from initial examination of the input circuit. This is because Q₇ is actually preceded by an emitter follower transistor not shown in the simplified circuit.

The second stage Q₇ operates common-emitter with a current source load for high gain. Pole splitting compensation is provided by C₁ to achieve unity gain bandwidth of about 10MHz. Internal compensation is sufficient with closed-loop gain down to about $A_v = 10$.

The output stage is a complementary common-collector class AB composite. The upper, or current sourcing section, is a Darlington emitter follower Q₁₂ and Q₁₃. The lower, or current sinking, section is a composite PNP made up of Q₁₄, Q₁₅, and Q₉. Normally, this type of PNP composite has low f_t and excessive delay caused by the lateral PNP transistor Q₉. The usual result is poor unity gain bandwidth and probable oscillation on the negative half of the output waveform. The traditional fix has been to add an external series RC network from output to ground to reduce loop gain of the composite PNP and so prevent the oscillation. In the LM377 series amplifiers, Q₉ is made a field-aided lateral PNP to overcome these performance limitations and so reduce external parts count. There is no need for the external RC network, no oscillation is present on the negative half cycle, and bandwidth is better with this output stage. Q₁₀ and Q₁₁ provide output current limiting at

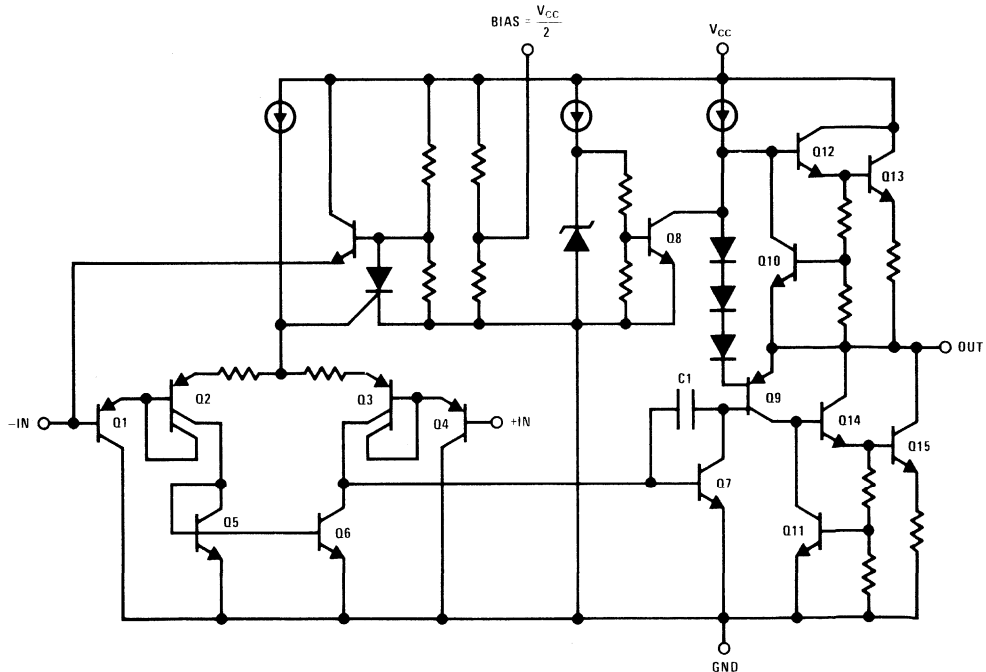


FIGURE 4.4.1 Simplified Schematic Diagram

about 1.3A, and there is internal thermal limiting protection at 150°C junction temperature. The output may be AC shorted without problem; and, although not guaranteed performance, DC shorts to ground are acceptable. A DC short to supply is destructive due to the thermal protection circuit which pulls the output to ground.

To achieve a stable DC operating point, it is desirable to close the feedback loop with unity DC gain. To achieve this simultaneously with a high AC gain normally requires a fairly large bypass capacitor, C₁, in Figure 4.4.2.

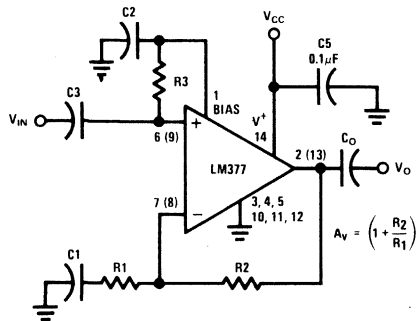


FIGURE 4.4.2 Non-Inverting Amplifier Connection

Establishing the initial charge on this capacitor results in a turn-on delay. An additional capacitor, C₂, is normally required to supply a ripple-free reference to set the DC

operating point. To achieve good supply rejection X_{C2} is normally made much smaller than a series resistor in the bias divider circuit (R_S in Figure 4.4.3). Where a supply rejection of 40dB is required with 40dB closed-loop gain, 80dB ripple attenuation is required of R_SC₂. The turn-on time can be calculated as follows:

$$PSRR = \frac{R_S - jX_{C2}}{X_{C2}} \approx \frac{R_S}{X_{C2}} = \omega RC = \omega T$$

$$T = \frac{PSRR}{\omega} = \frac{80\text{dB}}{2\pi \cdot 120\text{Hz}} = \frac{10^4}{754} = 13.3\text{sec}$$

$$t_{ON} \approx \frac{T}{3} = 4.5\text{ seconds to small signal operation}$$

$$t_{ON} \approx 3T = 40\text{ seconds to full output voltage swing}$$

The 3T delay might normally be considered excessive! The LM377 series amplifiers incorporate active turn-on circuitry to eliminate the long turn-on time. This circuitry appeared in Figure 4.4.1 as Q₁₆ and an accompanying SCR; it is repeated and elaborated in Figure 4.4.3. In operation, the turn-on circuitry charges the external capacitors, bringing output and input levels to V_{CC}/2, and then disconnects itself leaving only the V_{CC}/2 divider R_B/R_B in the circuit.

The turn-on circuit operation is as follows. When power is applied, approximately V_{CC}/2 appears at the base of Q₁₆, rapidly charging C₁ and C₂ via a low emitter-follower output impedance and series resistors of 3k and 1k. This causes the emitters of the differential input pair to rise to V_{CC}/2, bringing the differential amp Q₃ and Q₄ into balance. This, in turn, drives Q₃ into conduction. Transistors

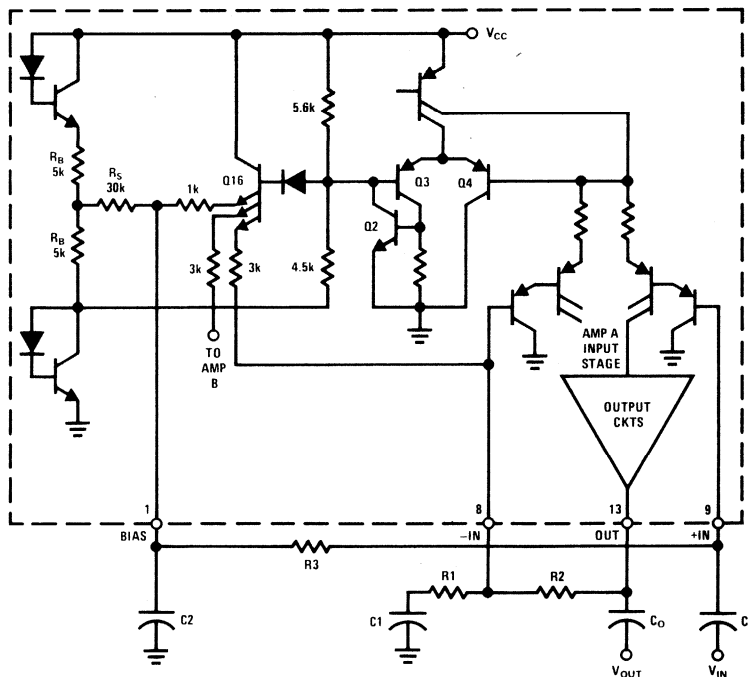


FIGURE 4.4.3 Internal Turn-On Circuitry

Q₂ and Q₃ form an SCR latch which then triggers and clamps the base of Q₁₆ to ground, thus disabling the charging circuit. Once the capacitors are charged, the internal voltage divider R_B/R_G maintains the operating point at V_{CC}/2. Using C₂ = 250μF, the t_{ON} = 3T ≈ 0.3s and PSRR ≈ 75dB at 120Hz due to the 30k resistor R_S. Using C₂ = 1000μF, PSRR would be 86dB. The internal turn-on circuit prevents the usual "pop" from the speaker at turn-on. The turn-off period is also pop-free, as there is no series of pulses of active gain often seen in other similar amplifiers.

Note that the base of Q₄ is tied to the emitters of only one of the two input circuits. Should only one amplifier be in use, it is important that it be that with input at pins 8 and 9.

4.3.3 External Biasing Connection

The internal biasing is complete for the inverting gain connection of Figure 4.4.4 except for the external C₂ which provides power supply rejection. The bias terminal 1 may be connected directly to C₂ and the non-inverting input terminals 6 and 9. Normal gain-set feedback connections to the inverting inputs plus input and output coupling capacitors complete the circuitry. The output will Q up to V_{CC}/2 in a fraction of one second.

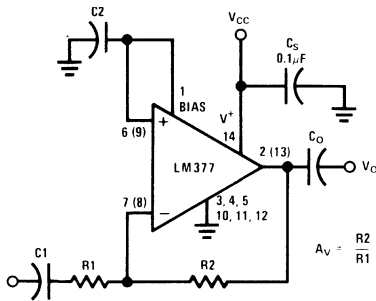
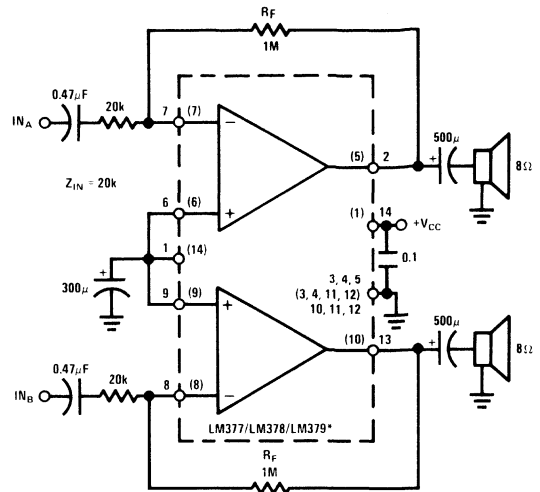


FIGURE 4.4.4 Inverting Amplifier Connection

The non-inverting circuit of Figure 4.4.2 is only slightly more complex, requiring the input return resistor R₃ from input to the bias terminal and additional input capacitor C₃. C₁ must remain in the circuit at the same or larger value than in Figure 4.4.4.

4.4.4 2/4/6 Watt Stereo Amplifier Applications

The obvious and primary intended application is as an audio frequency power amplifier for stereo or quadraphonic music systems. The amplifier may be operated in either the non-inverting or the inverting modes of Figures 4.4.2 and 4.4.4. The inverting circuit has the lowest parts count so is most economical when driven by relatively low-impedance circuitry. Figure 4.4.5 shows the total parts count for such a stereo amplifier. The feedback resistor value of 1 meg in Figure 4.4.5 is about the largest practical value due to an input bias current max of approximately 1/2μA (100nA typ). This will cause a -0.1 to 0.5V shift in DC output level, thus limiting peak negative signal swing. This output voltage shift can be corrected by the addition of series resistors (equal to the R_F in value) in the + input lines. However, when this is done, a potential exists for high frequency instability due to capacitive coupling of the



* (LM379S pin nos. in parentheses)

	LM377	LM377/LM378	LM379
P _D	2W/CH	3W/CH	4W/CH
e _i	80mV MAX	98mV MAX	113mV MAX
A _v	50	50	50
V _{CC}	18V	24V	28V

FIGURE 4.4.5 Inverting Stereo Amplifier

output signal to the + input. Bypass capacitors could be added at + inputs to prevent such instability, but this increases the parts count equal to that of the non-inverting circuit of Figure 4.4.6, which has a superior input impedance. For applications utilizing high impedance tone and volume controls, the non-inverting connection will normally be used.

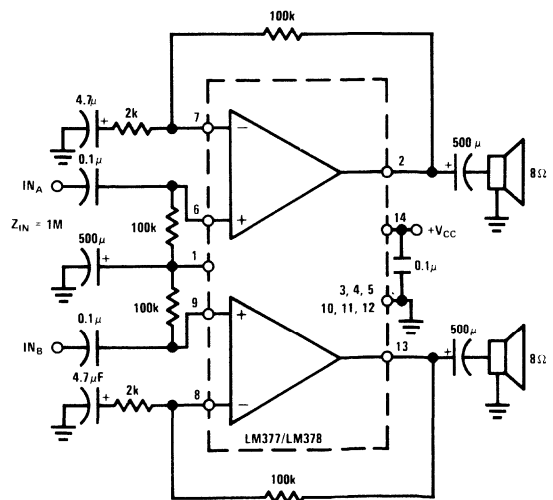
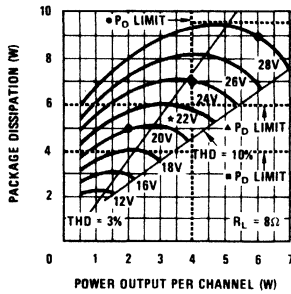
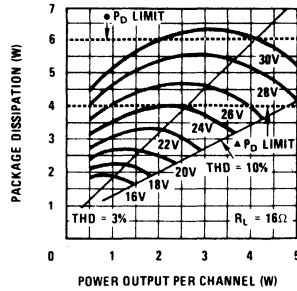


FIGURE 4.4.6 Non-Inverting Stereo Amplifier



- Approx. P_D limit acc't. 0.7A rms internal current limit at oper. die temp.
- ▲ P_D limit for LM377/LM378 on PC board w/Staver V7-1 heat sink.
- P_D limit for LM377/LM378 on PC board (2.5 sq. in. Cu)
- Safe limit for LM377.

FIGURE 4.4.7 Device Dissipation for 8Ω Load



- P_D limit LM377/LM378 on PC board w/Staver V7-1.
- ▲ P_D limit LM377/LM378 on PC board.

FIGURE 4.4.8 Device Dissipation for 16Ω Load

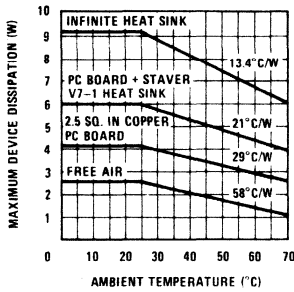


FIGURE 4.4.9 LM377/LM378 Power Derating

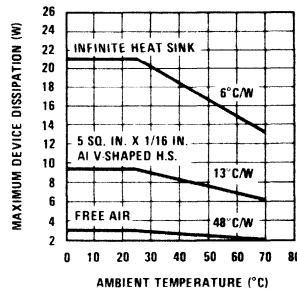


FIGURE 4.4.10 LM379 Power Derating

The prime limitations on output power of the LM377 and LM378 will be the type of heat sink employed, supply voltage, and load resistance. Reference to the data sheet curves will indicate the most efficient supply voltages to use for specific power output levels with 8 or 16Ω loads. The pertinent curves are reproduced in Figures 4.4.7 through 4.4.10. For other conditions $P_C = V_{CC}^2/20R_L$. At high power out, efficiency exceeds 50% and dissipation drops below output power. A dual 2W amplifier must then dissipate about 4.0W with an 18V supply or 4.9W with a 20V supply when $R_L = 8\Omega$. Normally, one would choose the 18V supply for lower dissipation; however, the 20V supply allows reduced distortion levels or considerably higher powers. A dual 4W amplifier will dissipate about 8W with a 26V supply. This is above the dissipation limit for an LM378 with normal heat sink. Accordingly, a fairly efficient heat sink must be employed in order to allow full

continuous output from the LM378 (Figure 4.4.9). The recommended heat sinks are listed in Table 4.4.1 with measured power output levels at $V_S = 18$ to 29V for LM377 and LM378 (observe voltage limits on LM377) with 8 or 16Ω load.

4.4.5 Power Output per Channel (Both Channels Driven) Before Clipping

Power dissipation vs. power output/channel (both channels driven) is indicated in Figures 4.4.7 and 4.4.8 for load resistances of 8 and 16Ω.

Limiting points to keep in mind, noted on figures 4.4.7 and 4.4.8, are 4W package dissipation limit for LM377/LM378 when soldered to PC board with 2.5 sq. in. copper, 6W limit when a Staver V7-1 heat sink is added, and internal current limit at about 1.5A peak at 25°C die temperature, reducing to about 1A peak at operating die temperature.

TABLE 4.4.1 Continuous Power Out (Both Channels) Before Clipping

HEAT SINK	LM377 $R_L = 8\Omega$			LM378 $R_L = 16\Omega$		
	$V_S = 18V$	$V_S = 20V$	$V_S = 22V$	$V_S = 24V$	$V_S = 26V$	$V_S = 29V$
PC Board, 29°C/W	2.2W	0.8W	0.3W	2.2W	1W	0.3W
PC Board and Staver V7-1, 21°C/W	2.2W	2.5W	3.2W	2.2W	2.5W	3.3W

This results in an approximate $P_O = 4W$ /channel limit for $R_L = 8\Omega$. The onset of clipping occurs just to left of the THD = 3% line in Figures 4.4.7 and 4.4.8.

The overall result is that the LM377 and LM378 with practical heat sinks are limited to operation below package dissipation of 6W and below $P_O = 4W$ /channel when $R_L = 8\Omega$. Thus, maximum $P_O = 3W$ /channel before clipping or 4W/channel at about 6% THD with either device at $V_{CC} = 22V$. With a 16Ω load the LM378 can deliver 4W/channel with 3-4% THD when $V_{CC} = 29-30V$. The LM377 is limited to $P_O = 4-5W$ /channel before clipping at $V_{CC} = 26-28V$, $R_L = 8\Omega$, or 4W/channel at $V_{CC} = 30V$, $R_L = 16\Omega$. $P_O = 6W$ occurs at 8-10% THD with $V_{CC} = 28-30V$ and $R_L = 8\Omega$. Note that the $P_O = 6W$ rating on LM379 is at 10% THD where peak current is similar to that at $P_O = 4W$, $V_{CC} = 26V$, $R_L = 8\Omega$.

What really exists then are power out before clipping of 2W/channel at $V_{CC} = 18V$ with PC board mounting, 3W/channel at $V_{CC} = 22V$ with maximum practical heat sinking on either LM377 or LM378, and 4W/channel at $V_{CC} \geq 26V$ for LM379. Clarification of how to interpret Figures 4.4.7-4.4.10 is presented as Section 4.4.6 for those who are not yet confused!

4.4.6 Interpretation of P_O vs. P_D Curves

The angled straight lines on the curves of Figures 4.4.7 and 4.4.8 indicate the loci of operating points where clipping occurs. When THD = 3%, the output waveform has noticeable clipping. The THD = 10% line is an operating area of severe clipping. Clipping begins just to the left of the THD = 3% line, so this discussion deals only with operation up to, but not quite at, the 3% line.

The three circles on Figure 4.4.7 are the data sheet spec limits for LM377/LM378/LM379; that is, 2, 4 and 6W/channel with 20, 24 and 28V supplies respectively.

Observe that the 2W point is well to the left of the THD = 3% line, or well under clipping. The 4 and 6W points march progressively further toward the THD = 10% line, or deeper into clipping. Also note the dissipation limits in Figure 4.4.9 for LM377/LM378 on PC board and on PC board with addition of Staver V7-1 heat sink are 4.1 and 6W respectively. These represent the limits for commonly available heat sinks for the DIP package. No doubt a special heat sink fabricated "just-so" could extend the 6W limit to 6-1/2 or 7W, but we'll stop at 6W. Data have been added to Figure 4.4.10 showing LM379 dissipation with a simple small heat sink. This heat sink is 5 square inches of 1/16" aluminum in a modified V shape which is clamped to the sink side of the LM379.

These practical limits are transferred to Figure 4.4.7 as horizontal dashed lines across the P_O vs. P_D curves at 4.1, 6 and 9.6W. We see that the reference points, 2W at 20V

and 4W at 24V, are above the practical P_D limits for PC board alone and for PC board with Staver V7-1 heat sink. The third point, 6W at 28V, is o.k. so far. What may be most important, however, is performance short of clipping. For that reason, the remainder of this section will deal only with RMS power at levels below clipping.

Returning to Figure 4.4.7, it appears that the LM377 or LM378 with only PC board heat sinking will be able to deliver 2.2W/channel into 8Ω with an 18V supply. But, if the supply is raised to 20V, the P_D limit is exceeded at 1W. With PC board plus a Staver heat sink, the LM377/LM378 will deliver 3.2W/channel with 22V supply, yet raising the supply to 24V limits us to $P_O = 1.9W$ /channel.

So why use a LM378 if the supply limit is 22V? The reason is that few supplies are regulated in the consumer world. This means that if the supply is 22V under full load, the no-signal supply may rise 10% or more; and the variations in line voltage may add another 10% for a total supply maximum of at least 26.5V. Therefore, the LM377 is only recommended for full-load operating supplies of less than 20V. But remember, it can deliver over 2W/channel with an 18V supply on a PC board, or 2-1/2W/channel with 20V supply and Staver heat sink. The LM378 will provide 3.2W/channel with 22V supply and PC board plus Staver heat sinking. With poorly regulated supplies over 20V or with 16Ω load, the LM378 is the obvious choice, as higher supply voltages are required to obtain high powers with 16Ω loads, although no greater power is available than with 8Ω loads.

There is no reasonable P_D limit on the LM379, as we can dissipate nearly 20W with adequate practical heat sinking and 9.6W with minimal sink. Then V_{CC} is the limit, say 30V. That would put us off the graph on Figure 4.4.7 at about 5.5W/channel or at 3W/channel with 16Ω load. Even at 8Ω and 30V, package dissipation is only 11W, or 9.6W with 28V. The kicker is in the data sheet electrical characteristics under current limit: 1.5A typ when $T_{TAB} = 25^\circ C$. The tab is above $25^\circ C$ when package dissipation is 9-11W. Still, this is a realistic test for high speed machine testing. In actual use, the current limit moves down to maybe 1.25A or even less. What does this mean? Consider an 8Ω load in power equation, and that 1-1.25A pk is 0.7-0.88A RMS.

$$P = I^2 R$$

$$= (0.7)^2 8 = (0.5) 8 \quad \text{or} \quad = (0.88)^2 8 = (0.77) 8$$

$$= 4W \quad \quad \quad = 6.2W$$

Now we have the actual limits at $P_{O(MAX)} = 4-6W$ at 8Ω or 8W at 16Ω . Trouble is we are limited to 5W at 28V, 8Ω or 5.5W at 30V, 8Ω and 2W at 16Ω by a 30V operating limit. Current limits could run higher than data sheet

TABLE 4.4.2 Max P_O Before Clipping (8Ω Load)

Heat Sink:	PC BOARD (29°C/W)			PC BOARD + V7-1 (21°C/W)				13°C/W SINK			
V_{CC}	=	16	18	19	18	20	22	23	26	28	30
P_O/CH	=	1.5	2.2	1.4	2.2	2.5	3.2	1.9	4.3	5.0	5.5
		----- LM377 -----									
		----- LM378 -----									
		----- LM379 -----									

typicals; many do, in fact. Then we can get more than 4W/channel as a limit. Since this is a typical spec, there is no guarantee either way.

Note with interest that an LM377 with Staver V7-1 heat sink will deliver 3.2W/channel with 22V supply (but hold it close to 22V or use a LM378) and the LM379 will deliver 5W/channel with a 28V supply. The LM379 is the practical choice because it is easier and probably cheaper to heat sink, and there is more P_D headroom to allow for variations in supply voltage (very important). Also, the better the heat sink on the LM379, the lower the tab temperature, and the higher the operating current limit.

Beyond the limits discussed, the temperature or current limits operate, the peaks are clipped, the waveform remains at peak value for a longer portion of the input cycle, the RMS P_O increases, P_D decreases, and RMS power approaches peak power.

Table 4.4.2 summarizes performance the customer may encounter.

4.4.7 Heat Sinking

Device dissipation vs. ambient temperature with several heat sink types is indicated in Figures 4.4.9 and 4.4.10 for convenience of matching heat sink capacity to the circuit needs. In those cases where heat sink capacity is inadequate for device dissipation requirements, the internal thermal limit circuitry will automatically limit device dissipation on signal peaks. The result is similar to peak clipping in its effect and causes severe distortion. The device can provide momentary peak power output in excess of the maximum heat sink limited steady-state levels for a second or so, depending upon the margin between maximum steady-state level and the actual average power level prior to the peak demand. Once in thermal limiting, clipping occurs on each positive and/or negative half cycle of a steady waveform.

In the majority of audio amplifier applications, the heat sinking can be considerably smaller due to the approximately 30dB ratio between RMS and peak power levels in music and speech. If we assume willingness to accept clipping at peak levels 20dB above average level, then average power levels will be 0.2-0.3W/channel in LM377 and LM378. Heat sink requirements are thus significantly reduced, as these peak levels occur less than 10% of time periods of several seconds duration. Thus, the circuit does not go into thermal overload even though the heat sink is designed for 3W dissipation (LM377 operating at 0.3W/channel, $V_{CC} = 18V$).

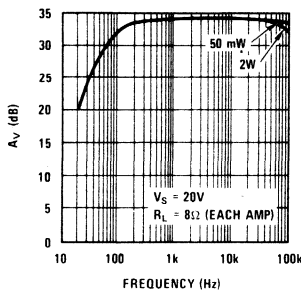


FIGURE 4.4.11 Frequency Response of the Stereo Amp of Figure 4.4.5

4.4.8 Stabilization

The LM377 series amplifiers are internally stabilized so external compensation capacitors are not required. The high gain \times BW provides a bandwidth greater than 50kHz, as seen in Figure 4.4.11. These amplifiers are, however, not intended for closed loop gain below 10. The typical Bode plot of Figure 4.4.12 shows a phase margin of 70° for gain of 5.6 (15dB), which is stable. At unity gain the phase margin is less than 30° , or marginally stable. This margin may vary considerably from device to device due to variation in gain \times BW.

4.4.9 Layout

Ground and power connections must be adequate to handle the 1 to 2A peak supply and load currents. Ground loops can be especially troublesome because of these high currents. The load return line should be connected directly to the ground pins of the package on one side and/or the input and feedback ground lines should be connected directly to the ground pins (possibly on the other side of the package). The signal ground should not be connected so as to intercept any output signal voltage drop due to resistance between IC ground and load ground.

4.4.10 Split Supply Operation

The use of split power supplies offers a substantial reduction in parts count for low power stereo systems using LM377/378/379 dual power amplifiers. Split supply operation requires only redefinition of the ground pins for use with the negative power supply. The only precaution necessary is to observe that when thermal shutdown occurs the output is pulled down to the negative supply, instead of ground. Both supplies require bypassing with 0.1 μ F ceramic or 0.47 μ F mylar capacitors to ground.

Single supply operation (Figure 4.4.13) requires 6 resistors and 9 capacitors (excluding power supply parts) and uses the typical power supply shown. The same circuit using split supplies (Figure 4.4.14) requires only 4 resistors and 4 capacitors. This approach allows direct coupling of the amplifier to the speakers since the output DC level is approximately zero volts (offset voltages will be less than 25mV), thereby eliminating the need for large coupling capacitors and their associated degradation of power, distortion and cost. Since the input bias voltages are zero volts, the need for bias resistors and the bias-pin supply bypassing capacitor are also eliminated. Input capacitors

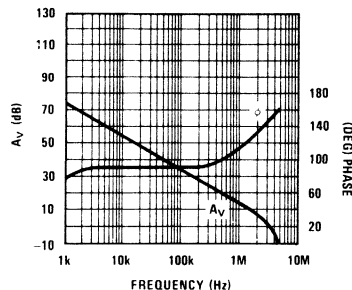


FIGURE 4.4.12 Open Loop Bode Plot (Approximately Worst Case)

4

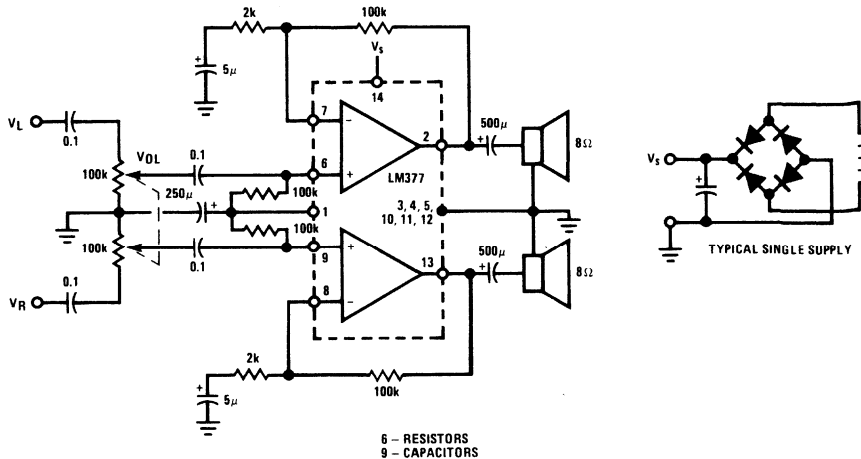


FIGURE 4.4.13 Non-Inverting Amplifier Using Single Supply

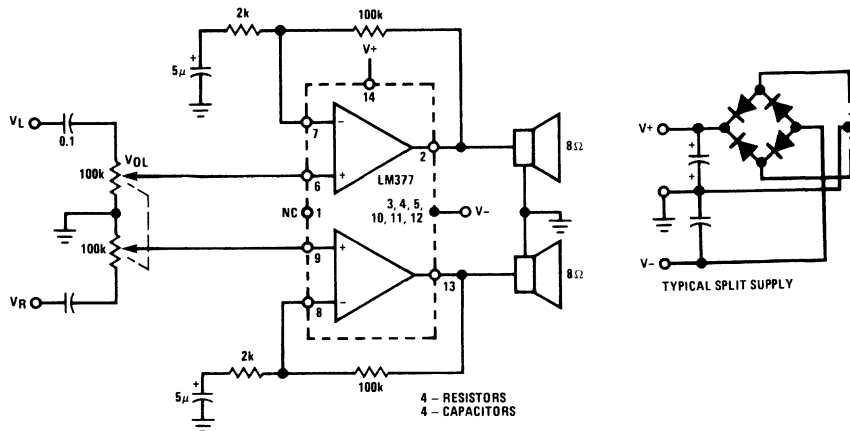


FIGURE 4.4.14 Non-Inverting Amplifier Using Split Supply

are omitted to allow bias currents from the positive inputs to flow directly through the volume pots to ground.

The complexity of the power supply has been increased only slightly, requiring a center-tapped secondary winding and one additional capacitor. Admittedly the added cap is a large electrolytic but its addition allows removal of three large electrolytics from the power amplifier stage, and since the supply is common to the whole system, the cost of the capacitor is shared with other subsystems benefiting from its use.

4.4.11 Unity Gain Power Buffers

Occasionally system requirements dictate the need for a unity gain power buffer, i.e., a current amplifier rather than a voltage amplifier. The peak output currents greater than one amp of the LM377/378/379 family make them a logical choice for this application.

Internal compensation limits stable operation to gains greater than 10 (20dB), thereby requiring additional components if unity gain operation is to be used. Stable unity gain inverting amplifiers (Figure 4.4.15) require only one additional resistor from the negative input to ground, equal in value to one tenth the feedback resistor. A discussion of this technique may be found in Section 2.8.7.

Non-inverting unity gain stability (Figure 4.4.16) can be achieved without additional components by judicious selection of the existing feedback elements. Writing the gain function of Figure 4.4.16 including the frequency dependent term of C_2 yields:

$$A_V = 1 + \frac{R_1}{R_2 + XC_2}$$

Satisfaction of unity gain *circuit* performance over the audio band and gain greater than 10 *amplifier* performance at high frequencies can be accomplished by making the frequency dependent term small (relative to one) over the audio band and allowing it to dominate the gain expression beyond audio. Rewriting the gain term using the Laplace variable S (The variable S is a complex frequency.) results in Equation (4.4.1):

$$A_v = 1 + \frac{R_1}{R_2 + \frac{1}{S C_2}} = \frac{S(R_1 + R_2)C_2 + 1}{S R_2 C_2 + 1}$$

$$\approx \frac{S R_1 C_2 + 1}{S R_2 C_2 + 1} \quad (4.4.1)$$

$$\text{Zero at } f_z = \frac{1}{2\pi R_1 C_2} \quad (4.4.2)$$

$$\text{Pole at } f_p = \frac{1}{2\pi R_2 C_2} \quad (4.4.3)$$

Examination of Equation (4.4.1) shows it to have a frequency response zero at f_z (Equation (4.4.2)) and a pole at f_p (Equation (4.4.3)). By selecting f_z to fall at the edge of the audio spectrum (20kHz as shown) and f_p prior to hitting the open loop response (340kHz as shown) the frequency response of Figure 4.4.17 is obtained. This response satisfies the unity gain requirements, while allowing the gain to raise beyond audio to insure stable operation.

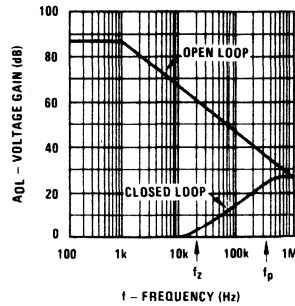


FIGURE 4.4.17 Frequency Response of Non-Inverting Unity Gain Amplifier

4.4.12 Bridge Amplifiers

The LM377 series amplifiers are equally useful in the bridge configuration to drive floating loads, which may be loudspeakers, servo motors or whatever. Double the power output can be obtained in this connection, and output coupling capacitors are not required. Load impedance may be either 8 or 16Ω in the bridge circuit of Figure 4.4.18. Response of this circuit is 20Hz to 160kHz as shown in Figure 4.4.19 and distortion is 0.1% midband at 4W, rising to 0.5% at 10kHz and 50mW output (Figure 4.4.20). The higher distortion at low power is due to a small amount of crossover notch distortion which becomes more apparent at low powers and high frequencies. The circuit of Figure 4.4.21 is similar except for higher input impedance. In Figure 4.4.21 the signal drive for the inverting amplifier is derived from the feedback voltage of the non-inverting amplifier. Resistors R_1 and R_3 are the input and feedback resistors for A_2 , whereas R_1 and R_2 are the feedback network for A_1 . So far as A_1 is concerned, R_2 sees a virtual ground at the (-) input to A_2 ; therefore, the gain of A_1 is $(1 + R_2/R_1)$. So far as A_2 is concerned, its input signal is the voltage appearing at the (-) input to A_1 . This equals that at the (+) input to A_1 . The driving point impedance at the (-) input to A_1 is very low even though R_2 is 100k. A_1 can be considered a unity gain amplifier with internal $R = R_2 = 100k$ and $R_L = R_1 = 2k$. Then the effective output resistance of the unity gain amplifier is:

$$R_{OUT} = \frac{R_{INTERNAL}}{A_{OL}/A_{\beta}} = \frac{100k}{600/1} = 167\Omega$$

Layout is critical if output oscillation is to be avoided. Even with careful layout, capacitors C_1 and C_2 may be required to prevent oscillation. With the values shown, the amplifier will drive a 16Ω load to 4W with less than 0.2% distortion midband, rising to 1% at 20kHz (Figure 4.4.22). Frequency response is 27 Hz to 60kHz as shown in Figure 4.4.23. The low frequency roll off is due to the double poles $C_3 R_3$ and $C_4 R_1$.

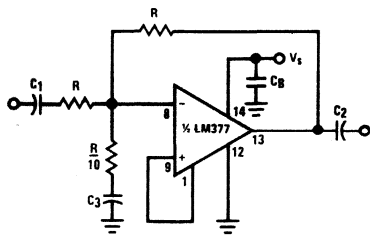


FIGURE 4.4.15 Inverting Unity Gain Amplifier

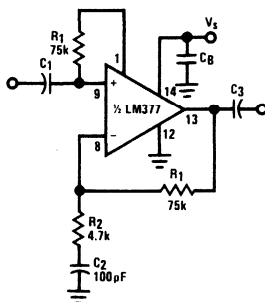


FIGURE 4.4.16 Non-Inverting Unity Gain Amplifier

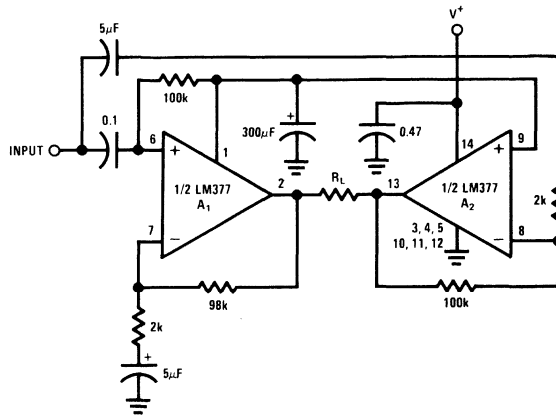


FIGURE 4.4.18 4-Watt Bridge Amplifier

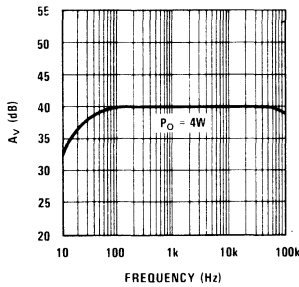


FIGURE 4.4.19 Frequency Response, Bridge Amp of Figure 4.4.18

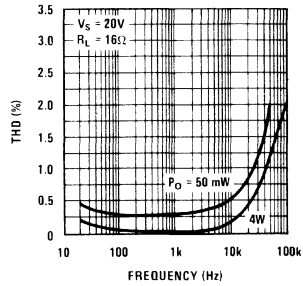


FIGURE 4.4.20 Distortion for Bridge Amp of Figure 4.4.18

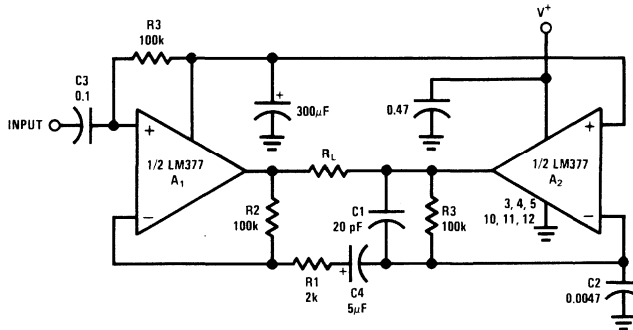


FIGURE 4.4.21 4-Watt Bridge Amplifier with High Input Impedance

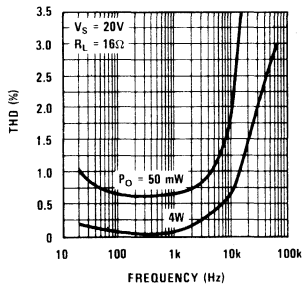


FIGURE 4.4.22 Distortion for Bridge Amp of Figure 4.4.21

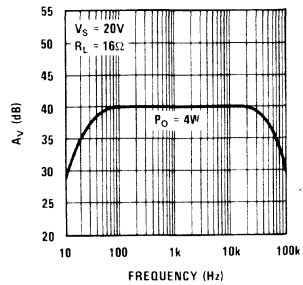


FIGURE 4.4.23 Frequency Response, Bridge Amp of Figure 4.4.21

4.4.13 Power Oscillator

One half of an LM377 may be connected as an oscillator to deliver up to 2W to a load. Figure 4.4.24 shows a Wien bridge type of oscillator with FET amplitude stabilization in the negative feedback path. The circuit employs internal biasing and operates from a single supply. C_3 and C_6 allow unity gain DC feedback and isolate the bias from ground. Total harmonic distortion is under 1% to 10kHz, and could possibly be improved with careful adjustment of R_5 . The FET acts as the variable element in the feedback attenuator R_4 to R_6 . Minimum negative feedback gain is set by the resistors R_4 to R_6 , while the FET shunts R_6 to increase gain in the absence of adequate output signal. The peak detector D_2 and C_8 senses output level to apply control bias to the FET. Zener diode D_1 sets the output level although adjustment could be made if R_9 were a potentiometer with R_8 connected to the slider. Maximum output

level with the values shown is 5.3V_{RMS} at 60Hz. C_7 and the attenuator R_7 and R_8 couple 1/2 the signal of the FET drain to the gate for improved FET linearity and low distortion. The amplitude control loop could be replaced by an incandescent lamp in non-critical circuits (Figure 4.4.25), although DC offset will suffer by a factor of about 3 (DC gain of the oscillator). R_{10} matches R_3 for improved DC stability, and the network R_{11} , C_9 increases high frequency gain for improved stability. Without this RC, oscillation may occur on the negative half cycle of output waveform. A low inductance capacitor, C_5 , located directly at the supply leads on the package is important to maintain stability and prevent high frequency oscillation on negative half cycle of the output waveform. C_5 may be 0.1 μ F ceramic, or 0.47 μ F mylar. Layout is important; especially take care to avoid ground loops as discussed in the section on amplifiers. If high frequency instability still occurs, add the R_{12} , C_{10} network to the output.

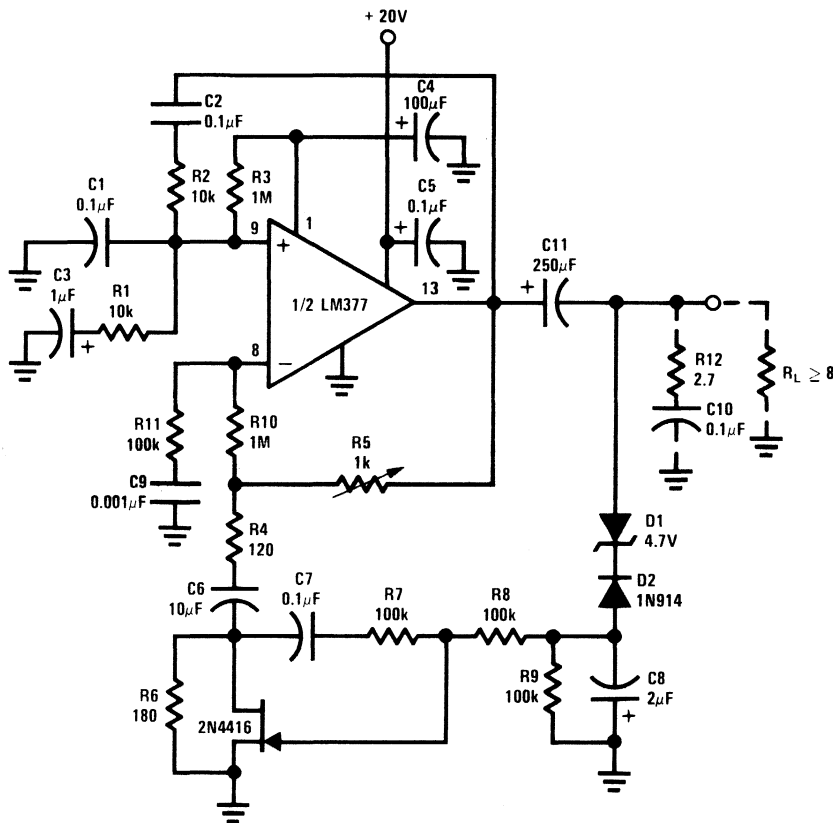


FIGURE 4.4.24 Wien Bridge Power Oscillator

4.4.14 Two-Phase Motor Drive

Figure 4.4.25 shows the use of the LM377 to drive a small 60Hz two phase servo motor up to 3W per phase. Applications such as a constant (or selectable) speed phonograph turntable drive are adequately met by this circuit. A split supply is used to simplify the circuit, reduce parts count,

and eliminate several large bypass capacitors. An incandescent lamp is used in a simple amplitude stabilization loop. Input DC is minimized by balancing DC resistance at (+) and (-) amplifier inputs ($R_1 = R_3$ and $R_6 = R_8$). High frequency stability is assured by increasing closed-loop gain

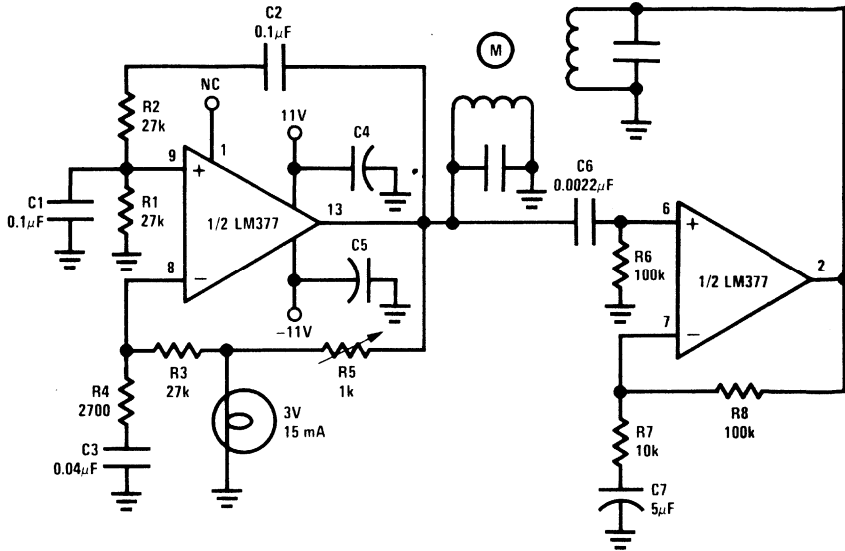


FIGURE 4.4.25 Two-Phase Motor Drive

from approximately 3 at 60Hz to about 30 above 40kHz with the network consisting of R_3 , R_4 and C_3 . The interstage coupling C_6R_6 network shifts phase by 85° at 60Hz to provide the necessary two phase motor drive signal. The gain of the phase shift network is purposely low so that the buffer amplifier will operate at a gain of 10 for adequate high frequency stability. As in other circuits, the importance of supply bypassing, careful layout, and prevention of output ground loops is to be stressed. The motor windings are tuned to 60Hz with shunt capacitors. This circuit will drive 8Ω loads to 3W each.

4.4.15 Proportional Speed Controller

A low cost proportional speed controller may be simply designed using a LM378 amplifier. For use with 12-24VDC motors at continuous currents up to several hundred milliamps, this circuit allows remote adjustment of angular displacements in a drive shaft. Typical applications include rooftop rotary antennas and motor-controlled valves.

Proportional control (Figure 4.4.26) results from an error signal developed across the Wheatstone bridge comprised of resistors R_1 , R_2 and potentiometers P_1 , P_2 . Control P_1 is

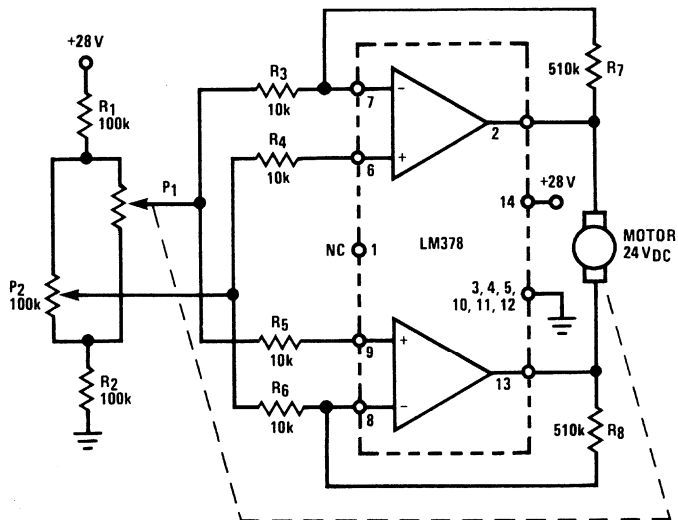


FIGURE 4.4.26 Proportional Speed Controller

mechanically coupled to the motor shaft as depicted by the dotted line and acts as a continuously variable feedback sensor. Setting position control P_2 creates an error voltage between the two inputs which is amplified by the LM378 (wired as a difference bridge amplifier); the magnitude and polarity of the output signal of the LM378 determines the speed and direction of the motor. As the motor turns, potentiometer P_1 tracks the movement, and the error signal, i.e., difference in positions between P_1 and P_2 , becomes smaller and smaller until ultimately the system stops when the error voltage reaches zero volts.

Actual gain requirements of the system are determined by the motor selected and the required range. Figure 4.4.26 demonstrates the principle involved in proportional speed control and is not intended to specify final resistor values.

4.4.16 Complete Systems

The LM377 to LM379 dual power amplifiers are useful in table or console radios, phonographs, tape players, intercoms, or any low to medium power music systems.

Figures 4.4.27 through 4.4.29 describe the complete electronic section of a 2-channel sound system with inputs for AM radio, stereo FM radio, phono, and tape playback. Figure 4.4.27 combines the power amplifier pair with loud-

ness, balance, and tone controls. The tone controls allow boost or cut of bass and/or treble. Transistors Q_1 and Q_2 act as input line amplifiers with the triple function of (1) presenting a high input impedance to the inputs, especially ceramic phono; (2) providing an amplified output signal to a tape recorder; and (3) providing gain to make up for the loss in the tone controls. Feedback tone controls of the Baxandall type employing transistor gain could be used; but then, with the same transistor count, the first two listed functions of Q_1Q_2 would be lost. It is believed that this circuit represents the lowest parts count for the complete system. Figure 4.4.28 is the additional circuitry for input switching and tape playback amplifiers. The LM382 with capacitors as shown provides for NAB tape playback compensation. For further information on the LM382 or the similar LM381 and LM387, refer to Section 2.0.

Figure 4.4.29 shows the relationship between signal source impedance and gain or input impedance for the amplifier stage Q_1Q_2 . Stage gain may be set at a desired value by choice of either the source impedance or insertion of resistors in series with the inputs (as R_1 to R_4 in Figure 4.4.28). Gain is variable from -15 to $+24$ dB by choice of series R from 0 to 10 meg. Gain required for $e_{IN} = 100$ to 200 mV (approximate value of recovered audio from FM stereo or AM radio) is about 18 to 21 dB overall for 2W into an 8Ω speaker at 1 kHz or 21 to 24 dB for 4W.

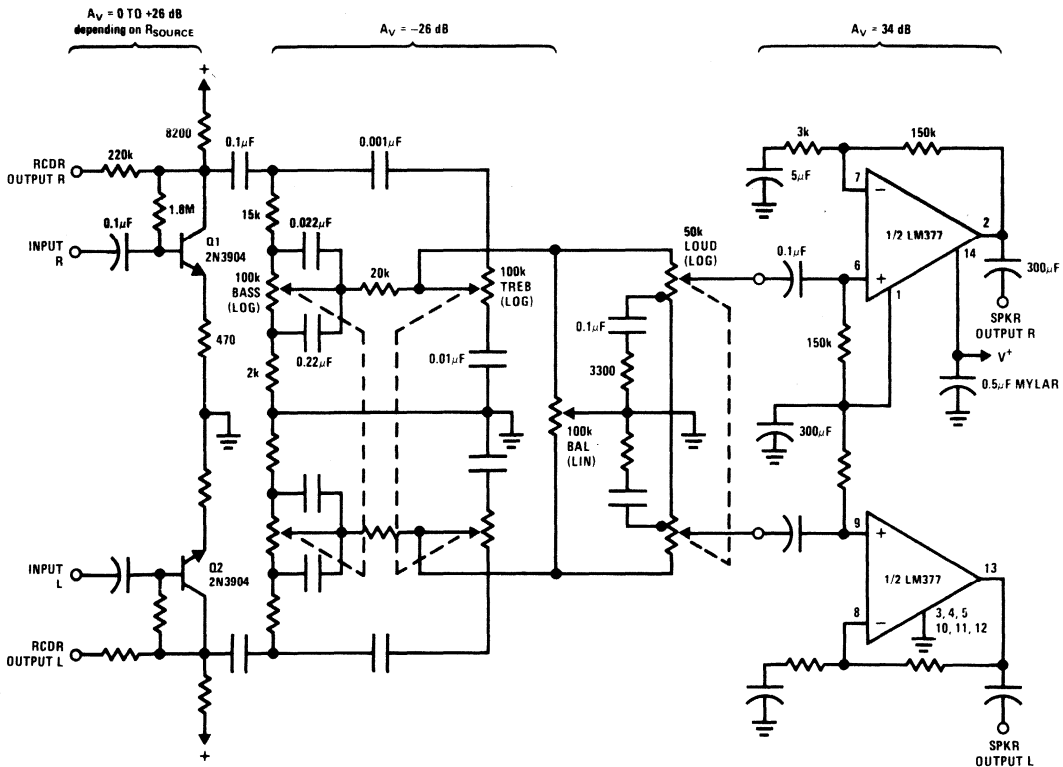


FIGURE 4.4.27 Two-Channel Power Amplifier and Control Circuits

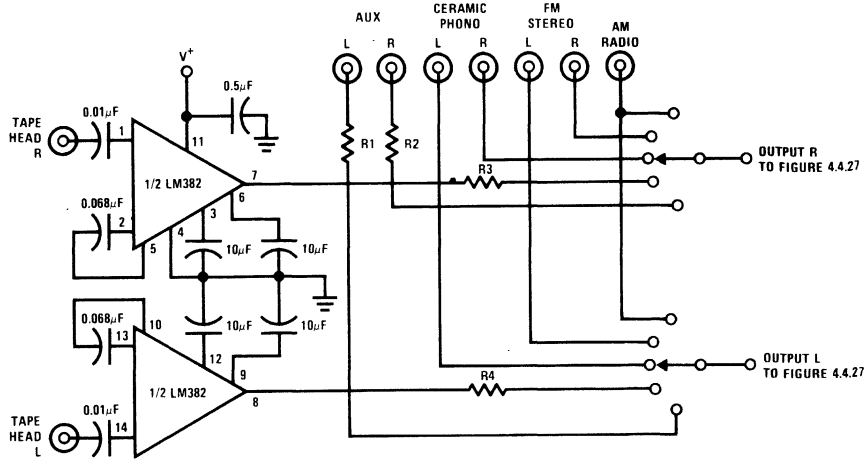


FIGURE 4.4.28 Two-Channel Tape-Playback Amplifier and Signal Switching

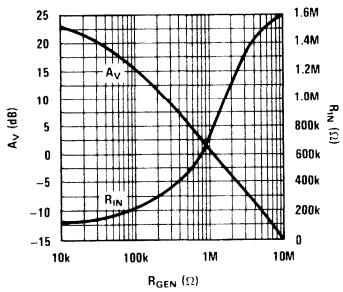


FIGURE 4.4.29 A_V and R_{IN} for Input Stage of Figure 4.4.26

4.4.17 Rear Channel Ambience Amplifier

The rear channel "ambience" circuit of Figure 4.4.30 can be added to an existing stereo system to extract a difference signal ($R - L$ or $L - R$) which, when combined with some direct signal (R or L), adds some fullness, or "concert hall realism" to reproduction of recorded music. Very little power is required at the rear channels, hence an LM377 will suffice for most "ambience" applications. The inputs are merely connected to the existing speaker output terminals of a stereo set, and two more speakers are connected to the ambience circuit outputs. Note that the rear speakers should be connected in opposite phase to those of the front speakers, as indicated by the $+/-$ signs on the diagram of Figure 4.4.30.

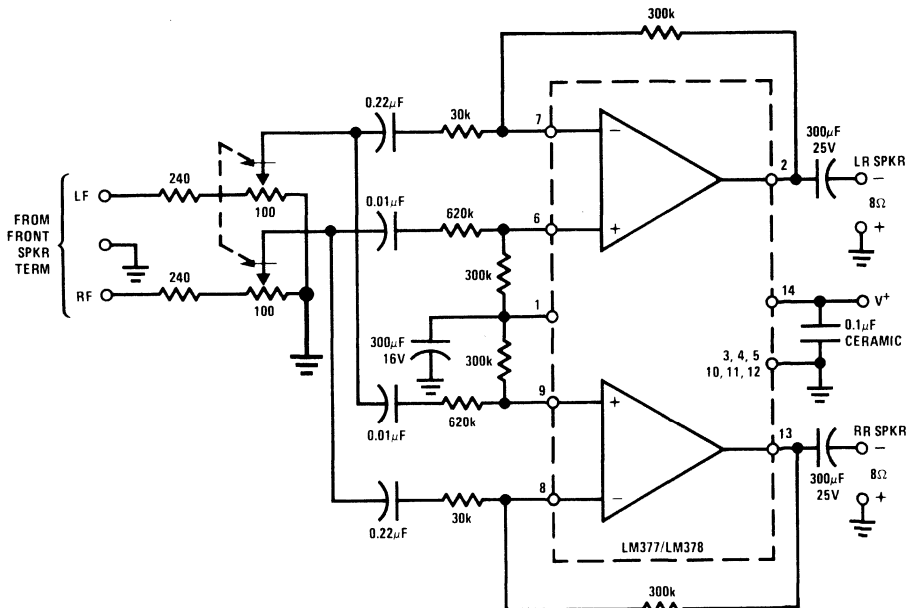


FIGURE 4.4.30 Rear Speaker Ambience (4-Channel) Amplifier

4.5 LM380 AUDIO POWER AMPLIFIER

4.5.1 Introduction

All of the mono power amplifiers listed in Table 4.3.2 derive from the LM380 design; therefore, a detailed discussion of the internal circuitry will be presented as a basis for understanding each of the devices. Subsequent sections will describe only the variations on the LM380 design responsible for each unique part.

The LM380 is a power audio amplifier intended for consumer applications. It features an internally fixed gain of 50 (34 dB) and an output which automatically centers itself at one half of the supply voltage. A unique input stage allows inputs to be ground referenced or AC coupled as required. The output stage of the LM380 is protected with both short circuit current limiting and thermal shutdown circuitry. All of these internally provided features result in a minimum external parts count integrated circuit for audio applications.

4.5.2 Circuit Description

Figure 4.5.1 shows a simplified circuit schematic of the LM380. The input stage is a PNP emitter-follower driving a PNP differential pair with a slave current-source load. The PNP input is chosen to reference the input to ground, thus enabling the input transducer to be directly coupled.

The second stage is a common emitter voltage gain amplifier with a current-source load. Internal compensation is provided by the pole-splitting capacitor C . Pole-splitting compensation is used to preserve wide power bandwidth (100kHz at 2W, 8Ω). The output is a quasi-complementary pair emitter-follower.

The output is biased to half the supply voltage by resistor ratio R_2/R_1 . Simplifying Figure 4.5.1 still further to show the DC biasing of the output stage results in Figure 4.5.2, where resistors R_1 and R_2 are labeled R . Since the transistor operates with effectively zero volts base to collector, the circuit acts as a DC amplifier with a gain of one half (i.e., $A_V = R/[R + R]$) and an input of V^+ ; therefore, the output equals $V^+/2$.

The amplifier AC gain is internally fixed to 34 dB (or 50V/V). Figure 4.5.3 shows this to be accomplished by the internal feedback network R_2 - R_3 . The gain is twice that of the ratio R_2/R_3 due to the slave current-source (Q_5 , Q_6) which provides the full differential gain of the input stage.

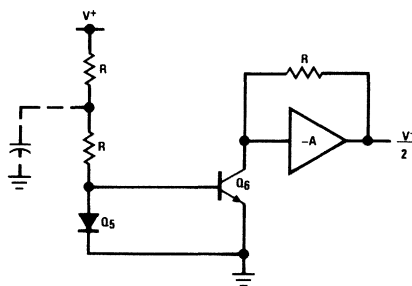


FIGURE 4.5.2 LM380 DC Equivalent Circuit

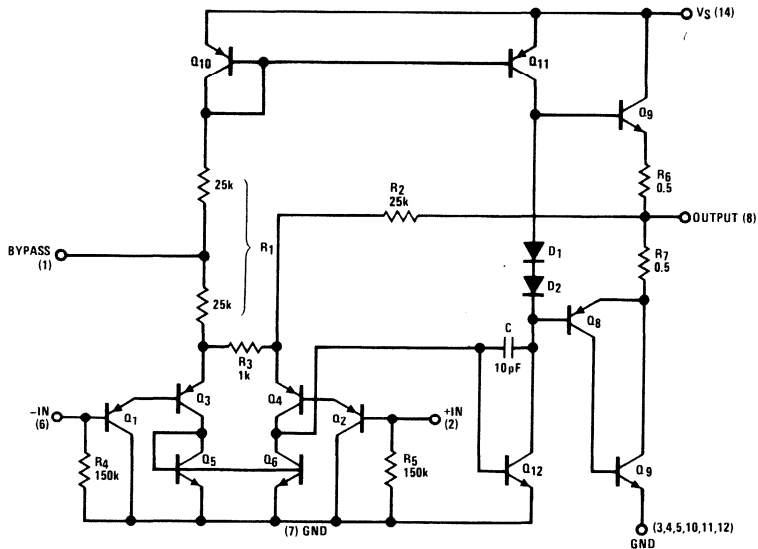


FIGURE 4.5.1 LM380 Simplified Schematic

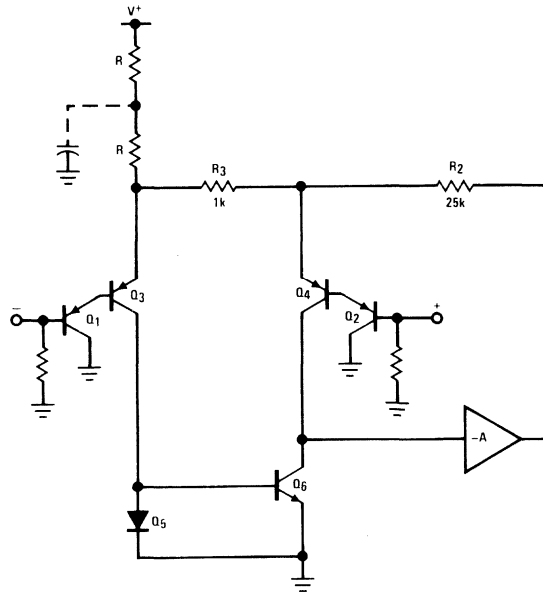


FIGURE 4.5.3 LM380 AC Equivalent Circuit

A gain difference of one exists between the negative and positive inputs, analogous to inverting and non-inverting amplifiers. For example, an inverting amplifier with input resistor equal to 1k and a 50k feedback resistor has a gain of 50V/V, while a non-inverting amplifier constructed from the same resistors has a gain of 51V/V. Driving the inverting terminal of the LM380, therefore, results in a gain of 50, while driving the non-inverting will give a gain of 51.

4.5.3 General Operating Characteristics

The output current of the LM380 is rated at 1.3A peak. The 14 pin dual-in-line package is rated at 35°C/W when soldered into a printed circuit board with 6 square inches of 2 ounce copper foil (Figure 4.5.4). Since the device junction temperature is limited to 150°C via the thermal shutdown circuitry, the package will support 2.9W dissipation at 50°C ambient or 3.6W at 25°C ambient.

Figure 4.5.4a shows the maximum package dissipation vs. ambient temperature for various amounts of heat sinking. (Dimensions of the Staver V7 heat sink appear as Figure 4.5.4b.)

Figures 4.5.5a, -b, and -c show device dissipation versus output power for various supply voltages and loads.

The maximum device dissipation is obtained from Figure 4.5.4 for the heat sink and ambient temperature conditions under which the device will be operating. With this maximum allowed dissipation, Figures 4.5.5a, -b, and -c show the maximum power supply allowed (to stay within dissipation limits) and the output power delivered into 4, 8 or 16Ω loads. The three percent total harmonic distortion line is approximately the onset of clipping.

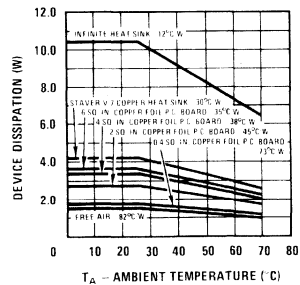
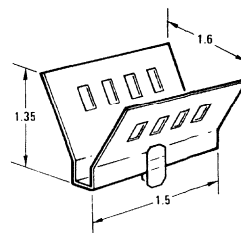


FIGURE 4.5.4a Device Dissipation vs. Maximum Ambient Temperature



* - Staver Co.
Bayshore, N.Y.

FIGURE 4.5.4b Staver* "V7" Heat Sink

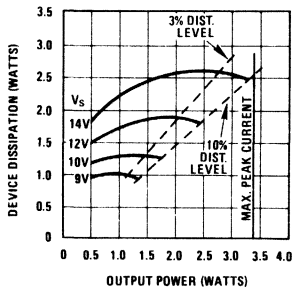


FIGURE 4.5.5a Device Dissipation vs. Output Power – 4Ω Load

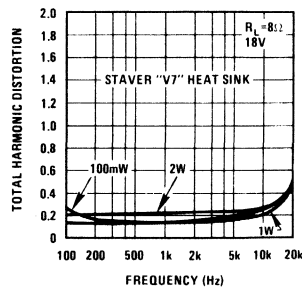


FIGURE 4.5.6 Total Harmonic Distortion vs. Frequency

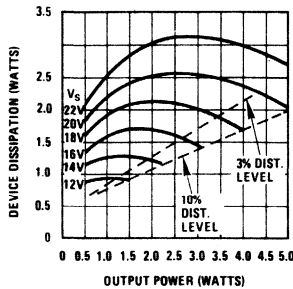


FIGURE 4.5.5b Device Dissipation vs. Output Power – 8Ω Load

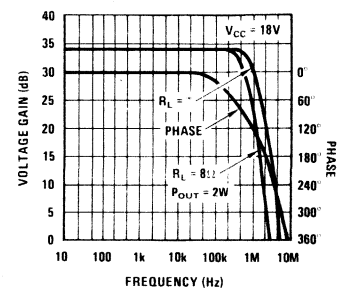


FIGURE 4.5.7 Output Voltage Gain vs. Frequency

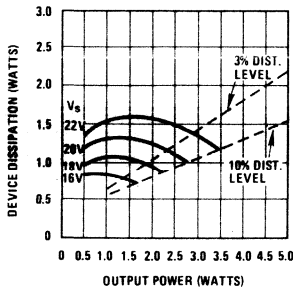


FIGURE 4.5.5c Device Dissipation vs. Output Power – 16Ω Load

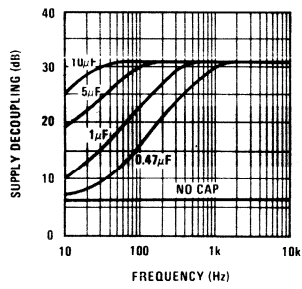


FIGURE 4.5.8 Supply Decoupling vs. Frequency

Figure 4.5.6 shows total harmonic distortion vs. frequency for various output levels, while Figure 4.5.7 shows the power bandwidth of the LM380.

Power supply decoupling is achieved through the AC divider formed by R_1 (Figure 4.5.1) and an external bypass capacitor. Resistor R_1 is split into two 25kΩ halves providing a high source impedance for the integrator. Figure 4.5.8 shows supply decoupling vs. frequency for various bypass capacitors.

4.5.4 Biasing

The simplified schematic of Figure 4.5.1 shows that the LM380 is internally biased with the 150kΩ resistance to ground. This enables input transducers which are referenced

to ground to be direct-coupled to either the inverting or non-inverting inputs of the amplifier. The unused input may be either: (1) left floating, (2) returned to ground through a resistor or capacitor, or (3) shorted to ground. In most applications where the non-inverting input is used, the inverting input is left floating. When the inverting input is used and the non-inverting input is left floating, the amplifier may be found to be sensitive to board layout since stray coupling to the floating input is positive feedback. This can be avoided by employing one of three alternatives: (1) AC grounding the unused input with a small capacitor. This is preferred when using high source impedance transducers. (2) Returning the unused input to ground through a resistor. This is preferred when using moderate to low DC source impedance transducers and

when output offset from half supply voltage is critical. The resistor is made equal to the resistance of the input transducer, thus maintaining balance in the input differential amplifier and minimizing output offset. (3) Shorting the unused input to ground. This is used with low DC source impedance transducers or when output offset voltage is non-critical.

4.5.5 Oscillation

The normal power supply decoupling precautions should be taken when installing the LM380. If V_S is more than 2" to 3" from the power supply filter capacitor it should be decoupled with a 0.1 μF disc ceramic capacitor at the V_S terminal of the IC.

The R_C and C_C shown as dotted line components on figure 4.5.9 and throughout this section suppresses a 5 to 10MHz small amplitude oscillation which can occur during the negative swing into a load which draws high current. The oscillation is of course at too high a frequency to pass through a speaker, but it should be guarded against when operating in an RF sensitive environment.

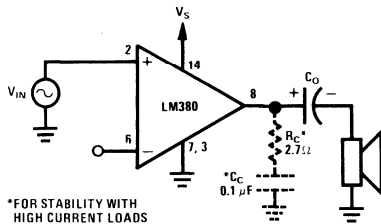


FIGURE 4.5.9 Oscillation Suppression Components

4.5.6 RF Precautions – See section 2.3.10.

4.5.7 Inverting Amplifier Application

With the internal biasing and compensation of the LM380, the simplest and most basic circuit configuration requires only an output coupling capacitor as seen in Figure 4.5.10.

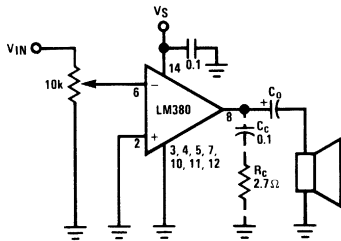


FIGURE 4.5.10 Minimum Component Configuration

4.5.8 Ceramic Phono Amplifier

An application of this basic configuration is the phono amplifier where the addition of volume and tone controls is required. Figure 4.5.11 shows the LM380 with a voltage divider volume control and high frequency roll-off tone control.

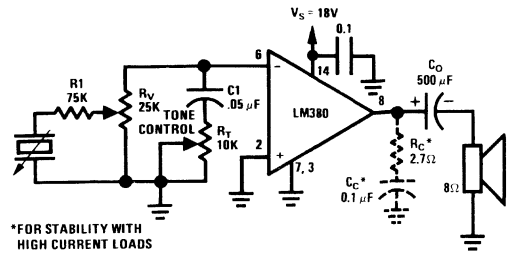


FIGURE 4.5.11 Ceramic Phono Amp

4.5.9 Common Mode Volume and Tone Controls

When maximum input impedance is required or the signal attenuation of the voltage divider volume control is undesirable, a "common mode" volume control may be used as seen in Figure 4.5.12.

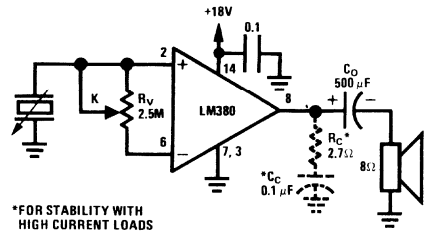


FIGURE 4.5.12 "Common Mode" Volume Control

With this volume control the source loading impedance is only the input impedance of the amplifier when in the full-volume position. This reduces to one half the amplifier input impedance at the zero volume position. Equation (4.5.1) describes the output voltage as a function of the potentiometer setting.

$$V_{OUT} = 50 V_{IN} \left(1 - \frac{150 \times 10^3}{k_1 R_V + 150 \times 10^3} \right) \quad 0 \leq k_1 \leq 1 \quad (4.5.1)$$

This "common mode" volume control can be combined with a "common mode" tone control as seen in figure 4.5.13.

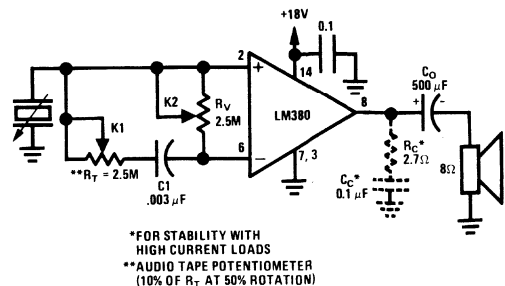


FIGURE 4.5.13 "Common Mode" Volume and Tone Control

This circuit has a distinct advantage over the circuit of Figure 4.5.10 when transducers of high source impedance are used, in that the full input impedance of the amplifier is realized. It also has an advantage with transducers of low source impedance, since the signal attenuation of the input voltage divider is eliminated. The transfer function of the circuit of Figure 4.5.13 is given by:

$$\frac{V_{OUT}}{V_{IN}} = 50 \left(1 - \frac{150k}{150k + \frac{k_1 R_T k_2 R_V + \frac{k_2 R_V}{j 2 \pi f C_1}}{k_1 R_T + k_2 R_V + \frac{1}{j 2 \pi f C_1}}} \right)$$

$$0 \leq K_1 \leq 1$$

$$0 \leq K_2 \leq 1$$

(4.5.2)

Figure 4.5.14 shows the response of the circuit of Figure 4.5.13.

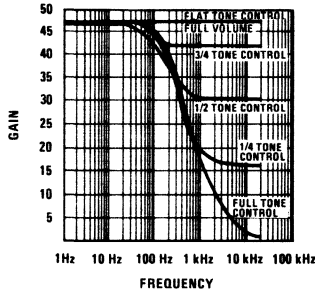
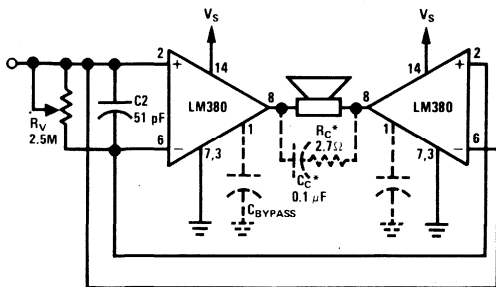


FIGURE 4.5.14 Tone Control Response

4.5.10 Bridge Amplifier

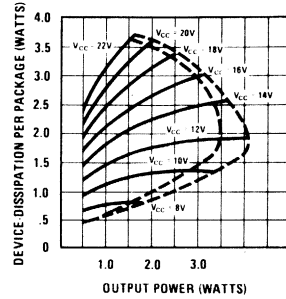
Where more power is desired than can be provided with one amplifier, two amps may be used in the bridge configuration shown in Figure 4.5.15.



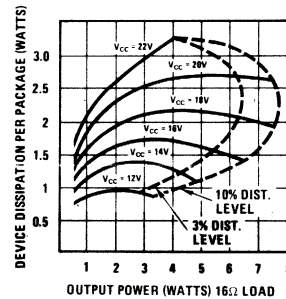
*FOR STABILITY WITH HIGH CURRENT LOADS

FIGURE 4.5.15 Bridge Configuration

This provides twice the voltage swing across the load for a given supply, thereby increasing the power capability by a factor of four over the single amplifier. However, in most cases the package dissipation will be the first parameter limiting power delivered to the load. When this is the case, the power capability of the bridge will be only twice that of the single amplifier. Figures 4.5.16a and -b show output power vs. device package dissipation for both 8 and 16Ω loads in the bridge configuration. The 3% and 10% harmonic distortion contours double back due to the thermal limiting of the LM380. Different amounts of heat sinking will change the point at which the distortion contours bend.



(a) 8Ω Load



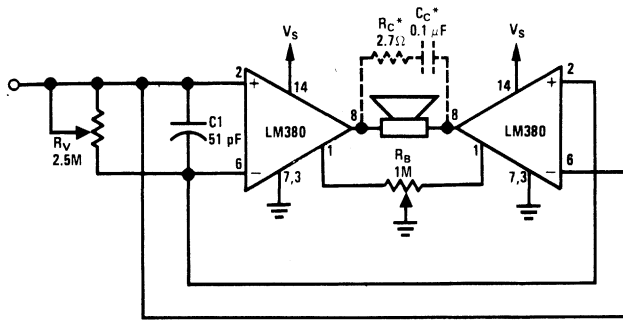
(b) 16Ω Load

FIGURE 4.5.16

The quiescent output voltage of the LM380 is specified at 9 ± 1 volts with an 18 volt supply. Therefore, under the worst case condition, it is possible to have two volts DC across the load.

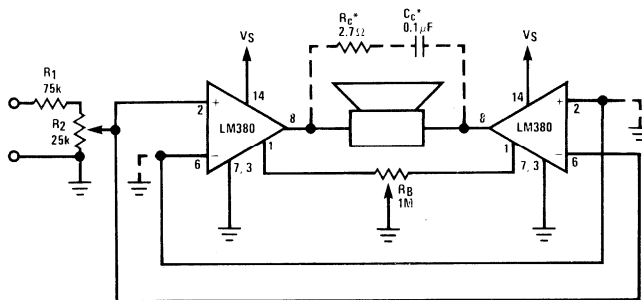
With an 8Ω speaker this is 0.25A which may be excessive. Three alternatives are available: (1) care can be taken to match the quiescent voltages, (2) a non-polar capacitor may be placed in series with the load, or (3) the offset balance controls of Figure 4.5.17 may be used.

The circuits of Figures 4.5.15 and 4.5.17 employ the "common mode" volume control as shown before. However, any of the various input connection schemes discussed previously may be used. Figure 4.5.18 shows the bridge configuration with the voltage divider input. As discussed in the "Biasing" section the undriven input may be AC or DC grounded. If V_S is an appreciable distance from the power supply ($> 3'$) filter capacitor it should be decoupled with a 1μF tantalum capacitor.



*FOR STABILITY WITH HIGH CURRENT LOADS

FIGURE 4.5.17 Quiescent Balance Control



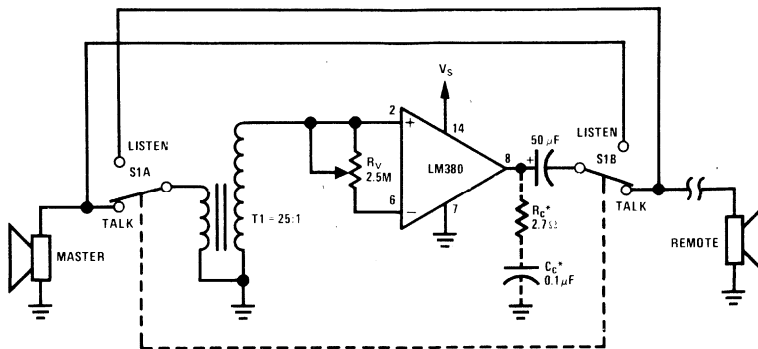
*FOR STABILITY WITH HIGH CURRENT LOADS

FIGURE 4.5.18 Voltage Divider Input

4.5.11 Intercom

The circuit of Figure 4.5.19 provides a minimum component intercom. With switch S_1 in the talk position, the speaker of the master station acts as the microphone with the aid of step-up transformer T_1 .

A turns ratio of 25 and a device gain of 50 allows a maximum loop gain of 1250. R_v provides a "common mode" volume control. Switching S_1 to the listen position reverses the role of the master and remote speakers.



*FOR STABILITY WITH HIGH CURRENT LOADS

FIGURE 4.5.19 Intercom

4.5.12 Low Cost Dual Supply

The circuit shown in Figure 4.5.20 demonstrates a minimum parts count method of symmetrically splitting a supply voltage. Unlike the normal R, C, and power zener diode technique the LM380 circuit does not require a high standby current and power dissipation to maintain regulation.

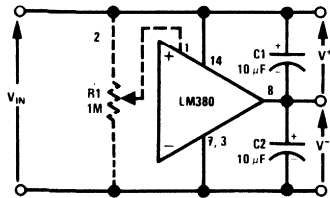


FIGURE 4.5.20 Dual Supply

With a 20V input voltage ($\pm 10V$ output) the circuit exhibits a change in output voltage of approximately 2% per 100mA of unbalanced load change. Any balanced load change will reflect only the regulation of the source voltage V_{IN} . The theoretical plus and minus output tracking ability is 100% since the device will provide an output voltage at one half of the instantaneous supply voltage in the absence of a capacitor on the bypass terminal. The actual error in tracking will be directly proportional to the imbalance in the quiescent output voltage. An optional potentiometer may be placed at pin 1 as shown in Figure 4.5.20 to null output offset. The unbalanced current output for the circuit of Figure 4.5.20 is limited by the power dissipation of the package.

In the case of sustained unbalanced excess loads, the device will go into thermal limiting as the temperature sensing circuit begins to function. For instantaneous high current loads or short circuits the device limits the output current to approximately 1.3A until thermal shutdown takes over or until the fault is removed.

4.5.13 High Input Impedance Circuit

The junction FET isolation circuit shown in Figure 4.5.21 raises the input impedance to $22M\Omega$ for low frequency input signals. The gate to drain capacitance (2pF maximum for the KE4221 shown) of the FET limits the input impedance as frequency increases.

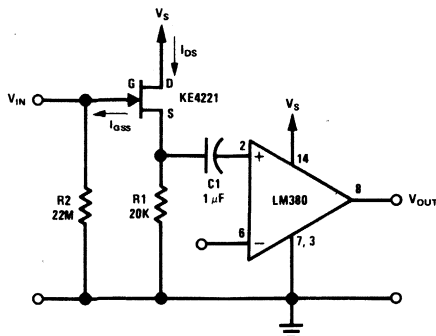


FIGURE 4.5.21 High Input Impedance

At 20kHz the reactance of this capacitor is approximately $-j4M\Omega$, giving a net input impedance magnitude of $3.9M\Omega$. The values chosen for R_1 , R_2 and C_1 provide an overall circuit gain of at least 45 for the complete range of parameters specified for the KE4221.

When using another FET device the relevant design equations are as follows:

$$A_v = \left(\frac{R_1}{R_1 + \frac{1}{g_m}} \right) \quad (4.5.3)$$

$$g_m = g_{m0} \left(1 - \frac{V_{GS}}{V_p} \right) \quad (4.5.4)$$

$$V_{GS} = I_{DS} R_1 \quad (4.5.5)$$

$$I_{DS} = I_{DSS} \left(1 - \frac{V_{GS}}{V_p} \right)^2 \quad (4.5.6)$$

The maximum value of R_2 is determined by the product of the gate reverse leakage I_{GSS} and R_2 . This voltage should be 10 to 100 times smaller than V_p . The output impedance of the FET source follower is:

$$R_o = \frac{1}{g_m} \quad (4.5.7)$$

so that the determining resistance for the interstage RC time constant is the input resistance of the LM380.

4.5.14 Power Voltage-to-Current Converter

The LM380 makes a low cost, simple voltage-to-current converter capable of supplying constant AC currents up to 1A over variable loads using the circuit shown in Figure 4.5.22.

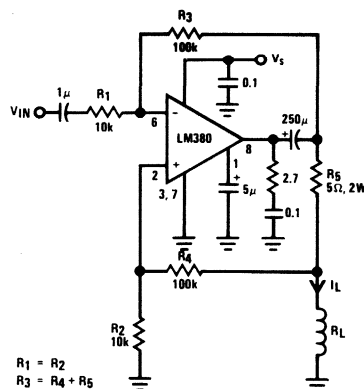


FIGURE 4.5.22 Power Voltage-to-Current Converter

Current through the load is fixed by the gain setting resistors R_1 - R_3 , input voltage, and R_5 per Equation (4.5.8).

$$I_L = - \frac{R_3 V_{IN}}{R_1 R_5} \quad (4.5.8)$$

For AC signals the minus sign of Equation (4.5.8) merely shows phase inversion. As shown, Figure 4.5.22 will deliver

$1/2 A_{RMS}$ to the load from an input signal of 250mV_{RMS}, with THD less than 0.5%. Maximum current variation is typically 0.5% with a load change from 1-5Ω.

Flowmeters, or other similar uses of electromagnets, exemplify application of Figure 4.5.22. Interchangeable electromagnets often have different impedances but require the same constant AC current for proper magnetization. The low distortion, high current capabilities of the LM380 make such applications quite easy.

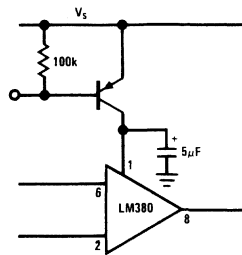


FIGURE 4.5.23 Muting the LM380

4.5.15 Muting

Muting, or operating in a squelched mode may be done with the LM380 by pulling the bypass pin high during the mute, or squelch period. Any inexpensive, general purpose PNP transistor can be used to do this function as diagrammed in Figure 4.5.23.

During the mute cycle, the output stage will be switched off and will remain off until the PNP transistor is turned off again. Muting attach and release action is smooth and fast.

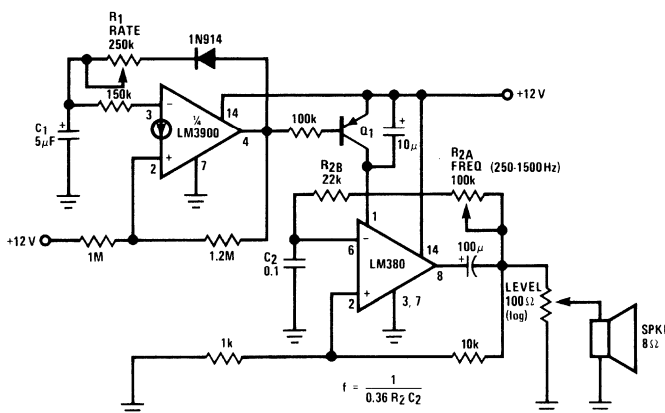


FIGURE 4.5.24 Siren with Programmable Frequency and Rate Adjustment

4.5.16 Siren

Use of the muting technique described in section 4.5.15 allows the LM380 to be configured into a siren circuit with programmable frequency and rate adjustment (Figure 4.5.24). The LM380 operates as an astable oscillator with frequency determined by R_2 - C_2 . Adding Q_1 and driving its base with the output of an LM3900 wired as a second astable oscillator acts to gate the output of the LM380 on and off at a rate fixed by R_1 - C_1 . The design equations for the LM3900 astable are given in detail in application note AN-72, page 20, and should be consulted for accurate variation of components. For experimenting purposes (i.e., playing around), changing just about any component will alter the siren effect.

Typical power levels of 7.5W (10% THD) into 8Ω are possible when operating from a supply voltage of 26V. All other parameters remain as discussed for the LM380. The electrical schematic is identical to Figure 4.5.1.

4.6 LM384 AUDIO POWER AMPLIFIER

4.6.1 Introduction

Higher allowed operating voltage, thus higher output power, distinguishes the LM384 from the LM380 audio amplifier.

4.6.2 General Operating Characteristics

Package power dissipation considerations regarding heat-sinking are the same as the LM380 (Figure 4.5.4). Device dissipation versus output power curves for 4, 8 and 16Ω loads appear as Figures 4.6.1-4.6.3.

Figure 4.6.4 shows total harmonic distortion vs. output power, while total harmonic distortion vs. frequency for various output levels appears as Figure 4.6.5.

A typical 5W amplifier ($V_s = 22V$, $R_L = 8Ω$, THD = 10%) is shown by Figure 4.6.6. Note the extreme simplicity of the circuit. For applications where output ripple and small, high-frequency oscillations are not a problem, all capacitors except the 500μF output capacitor may be eliminated — along with the 2.7Ω resistor. This creates a complete amplifier with only *one* external capacitor and *no* resistors.

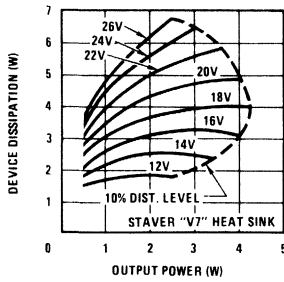


FIGURE 4.6.1 Device Dissipation vs. Output Power – 4 Ω Load

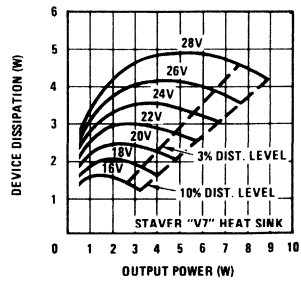


FIGURE 4.6.2 Device Dissipation vs. Output Power – 8 Ω Load

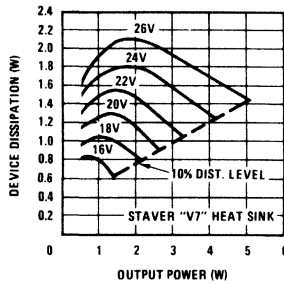


FIGURE 4.6.3 Device Dissipation vs. Output Power – 16 Ω Load

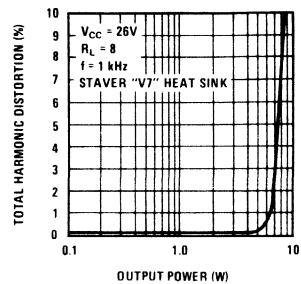


FIGURE 4.6.4 Total Harmonic Distortion vs. Output Power

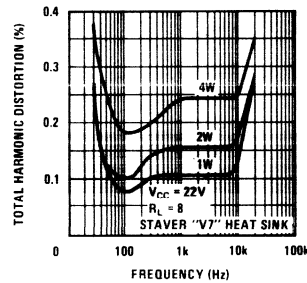


FIGURE 4.6.5 Total Harmonic Distortion vs. Frequency

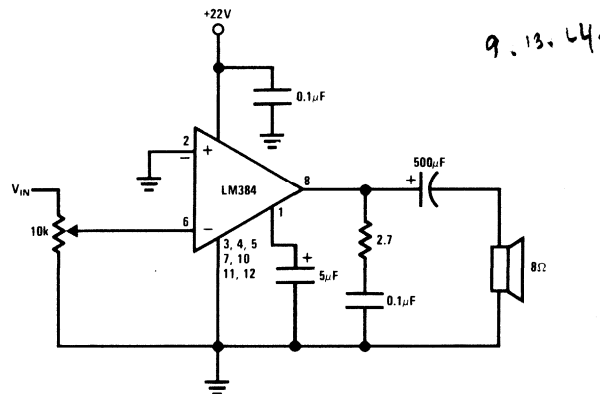


FIGURE 4.6.6 Typical 5W Amplifier

4.7 LM386 LOW VOLTAGE AUDIO POWER AMPLIFIER

4.7.1 Introduction

The LM386 is a power amplifier designed for use in low voltage consumer applications. The gain is internally set to 20 to keep external part count low, but the addition of an external resistor and capacitor between pins 1 and 8 will increase the gain to any value up to 200.

The inputs are ground referenced while the output is automatically biased to one half the supply voltage. The quiescent power drain is only 24mW when operating from a 6V supply, making the LM386 ideal for battery operation.

Comparison of the LM386 schematic (Figure 4.7.1) with that of the LM380 (Figure 4.5.1) shows them to be essentially the same. The major difference is that the LM386 has two gain control pins (1 and 8), allowing the internally set gain of 20V/V (26dB) to be externally adjusted to any value up to 200V/V (46dB). Another important difference lies in the LM386 being optimized for low current drain, battery operation.

4.7.2 General Operating Characteristics

Device dissipation vs. output power curves for 4, 8 and 16Ω loads appear as Figures 4.7.2-4.7.4. Expected power output as a function of typical supply voltages may be noted from these curves. Observe the "Maximum Continuous Dissipation" limit denoted on the 4 and 8Ω curves as a dashed line. The LM386 comes packaged in the 8-pin mini-DIP leadframe having a thermal resistance of 187°C/W, junction to ambient. There exists a maximum allowed junction temperature of 150°C, and assuming ambient temperature equal to 25°C, then the maximum dissipation permitted is 660mW ($PD_{MAX} = [150^{\circ}C - 25^{\circ}C] / [187^{\circ}C/W]$). Operation at increased ambient temperatures means derating the device at a rate of 187°C/W. Note from Figure 4.7.3 that operation from a 12V supply limits continuous output power to a maximum of 250mW for allowed limits of package dissipation. It is therefore important that the power supply voltage be picked to optimize power output vs. device dissipation.

Figure 4.7.5 gives a plot of voltage gain vs. frequency, showing the wideband performance characteristic of the LM386. Both gain extremes are shown to indicate the narrowing effect of the higher gain setting.

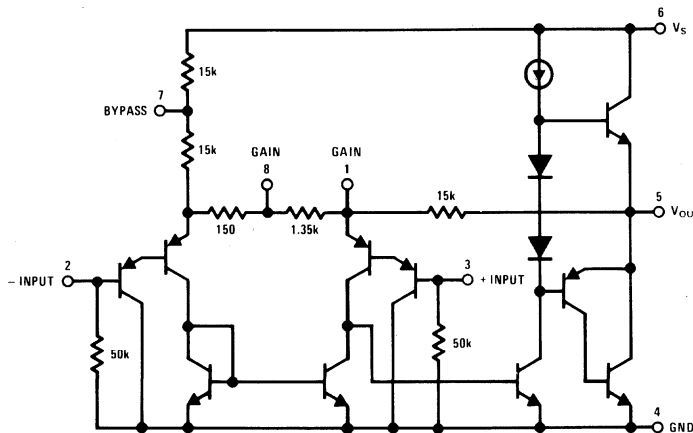


FIGURE 4.7.1 LM386 Simplified Schematic

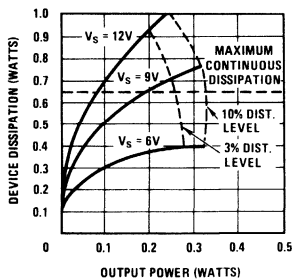


FIGURE 4.7.2 Device Dissipation vs. Output Power – 4Ω Load

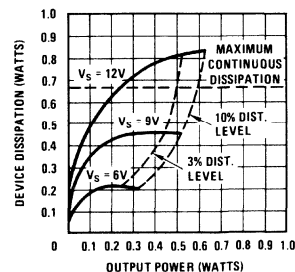


FIGURE 4.7.3 Device Dissipation vs. Output Power – 8Ω Load

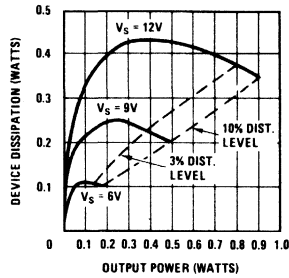


FIGURE 4.7.4 Device Dissipation vs. Output Power — 16Ω Load

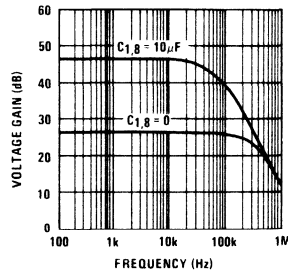


FIGURE 4.7.5 Voltage Gain vs. Frequency

4.7.3 Input Biasing

The schematic (Figure 4.7.1) shows that both inputs are biased to ground with a 50kΩ resistor. The base current of the input transistors is about 250nA, so the inputs are at about 12.5mV when left open. If the DC source resistance driving the LM386 is higher than 250kΩ it will contribute very little additional offset (about 2.5mV at the input, 50mV at the output). If the DC source resistance is less than 10kΩ, then shorting the unused input to ground will keep the offset low (about 2.5mV at the input, 50mV at the output). For DC source resistances between these values we can eliminate excess offset by putting a resistor from the unused input to ground, equal in value to the DC source resistance. Of course all offset problems are eliminated if the input is capacitively coupled.

When using the LM386 with higher gains (bypassing the 1.35kΩ resistor between pins 1 and 8) it is necessary to bypass the unused input, preventing degradation of gain and possible instabilities. This is done with a 0.1μF capacitor or a short to ground depending on the DC source resistance on the driven input.

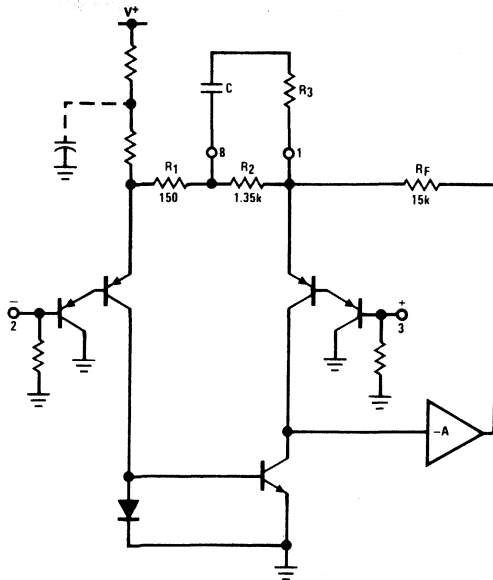


FIGURE 4.7.6 LM386 AC Equivalent Circuit

4.7.4 Gain Control

Figure 4.7.6 shows an AC equivalent circuit of the LM386, highlighting the gain control feature. To make the LM386 a more versatile amplifier, two pins (1 and 8) are provided for gain control. With pins 1 and 8 open the 1.35kΩ resistor sets the gain at 20 (26dB). If a capacitor is put from pin 1 to 8, bypassing the 1.35kΩ resistor, the gain will go up to 200 (46dB).

If a resistor (R_3) is placed in series with the capacitor, the gain can be set to any value from 20 to 200. Gain control can also be done by capacitively coupling a resistor (or FET) from pin 1 to ground. When adding gain control with components from pin 1 to ground, the *positive* input (pin 3) should always be driven, with the negative input (pin 2) appropriately terminated per Section 4.7.3.

Gains less than 20dB should not be attempted since the LM386 compensation does not extend below 9V/V (19dB).

4.7.5 Muting

Similar to the LM380 (Section 4.5.15), the LM386 may be muted by shorting pin 7 (bypass) to the supply voltage. The LM386 may also be muted by shorting pin 1 (gain) to ground. Either procedure will turn the amplifier off without affecting the input signal.

4.7.6 Typical Applications

Three possible variations of the LM386 as a standard audio power amplifier appear as Figures 4.7.7-4.7.9. Possible gains of 20, 50 and 200V/V are shown as examples of various gain control methods. The addition of the optional 0.05μF capacitor and 10Ω resistor is for suppression of the "bottom side fuzzies" (i.e., bottom side oscillation occurring during the negative swing into a load drawing high current — see Section 4.5.5).

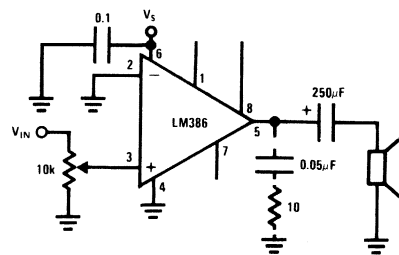


FIGURE 4.7.7 Amplifier with Gain = 20V/V (26dB) Minimum Parts

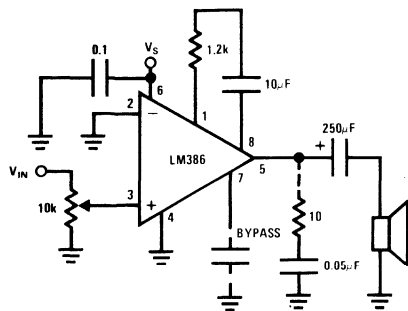


FIGURE 4.7.8 Amplifier with Gain = 50 V/V (34dB)

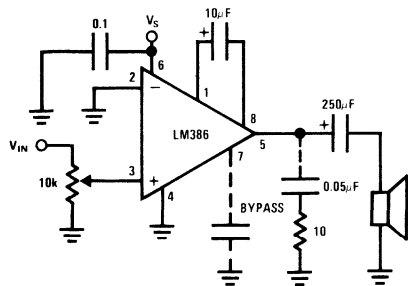
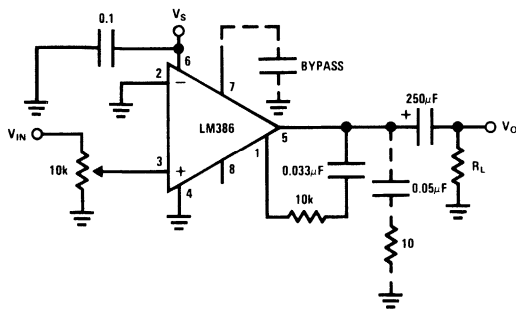


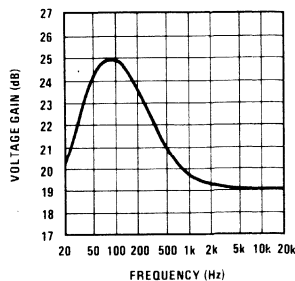
FIGURE 4.7.9 Amplifier with Gain = 200V/V (46dB)

4.7.7 Bass Boost Circuit

Additional external components can be placed in parallel with the internal feedback resistors (Figure 4.7.10) to tailor the gain and frequency response for individual applications. For example, we can compensate poor speaker bass response by frequency shaping the feedback path. This is done with a series RC from pin 1 to 5 (paralleling the internal 15kΩ resistor). For 6dB effective bass boost: $R \approx 15k\Omega$, the lowest value for good stable operation is $R = 10k\Omega$ if pin 8 is open. If pins 1 and 8 are bypassed then R as low as 2kΩ can be used. This restriction is because the amplifier is only compensated for closed-loop gains greater than 9.



(a) Amplifier with Bass Boost



(b) Frequency Response with Bass Boost

FIGURE 4.7.10 LM386 with Bass Boost

4.7.8 Square Wave Oscillator

A square wave oscillator capable of driving an 8Ω speaker with 0.5W from a 9V supply appears as Figure 4.7.11. Altering either R_1 or C_1 will change the frequency of oscillation per the equation given in the figure. A reference voltage determined by the ratio of R_3 to R_2 is applied to the positive input from the LM386 output. Capacitor C_1 alternately charges and discharges about this reference value, causing the output to switch states. A triangle output may be taken from pin 2 if desired. Since DC offset voltages are not relevant to the circuit operation, the gain is increased to 200V/V by a short circuit between pins 1 and 8, thus saving one capacitor.

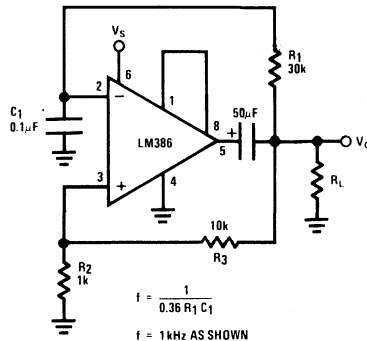


FIGURE 4.7.11 Square Wave Oscillator

4.7.9 Power Wien Bridge Oscillator

The LM386 makes a low cost, low distortion audio frequency oscillator when wired into a Wien bridge configuration (Figure 4.7.12). Capacitor C_2 raises the "open-loop" gain to 200 V/V. Closed-loop gain is fixed at approximately ten by the ratio of R_1 to R_2 . A gain of ten is necessary to guard against spurious oscillations which may occur at lower gains since the LM386 is not stable below 9V/V. The frequency of oscillation is given by the equation in the figure and may be changed easily by altering capacitors C_1 .

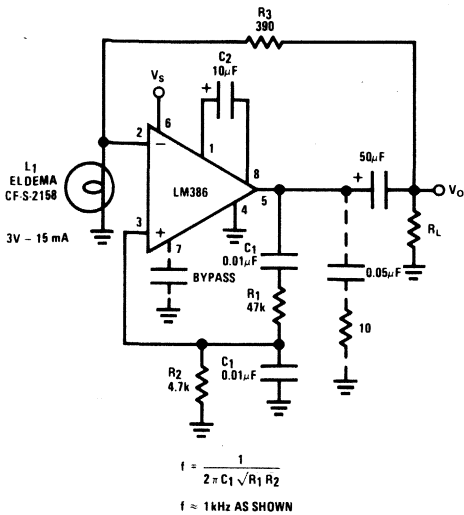


FIGURE 4.7.12 Low Distortion Power Wien Bridge Oscillator

Resistor R_3 provides amplitude stabilizing negative feedback in conjunction with lamp L_1 . Almost any 3V, 15mA lamp will work.

4.8 LM389 LOW VOLTAGE AUDIO POWER AMPLIFIER WITH NPN TRANSISTOR ARRAY

4.8.1 Introduction

The LM389 is an array of three NPN transistors on the same substrate with an audio power amplifier similar to the LM386 (Figure 4.8.1).

The amplifier inputs are ground referenced while the output is automatically biased to one half the supply voltage. The gain is internally set at 20 to minimize external parts, but the addition of an external resistor and capacitor between pins 4 and 12 will increase the gain to any value up to 200. Gain control is identical to the LM386 (see Section 4.7.4).

The three transistors have high gain and excellent matching characteristics. They are well suited to a wide variety of applications in DC through VHF systems.

4.8.2 Supplies and Grounds

The LM389 has excellent supply rejection and does not require a well regulated supply. However, to eliminate possible high frequency stability problems, the supply should be decoupled to ground with a $0.1 \mu\text{F}$ capacitor. The high current ground of the output transistor, pin 18, is brought out separately from small signal ground, pin 17. If the two ground leads are returned separately to supply, the parasitic resistance in the power ground lead will not cause stability problems. The parasitic resistance in the signal ground can cause stability problems and it should be minimized. Care should also be taken to insure that the power dissipation does not exceed the maximum dissipation (825mW) of the package for a given temperature.

4.8.3 Muting

Muting is accomplished in the same manner as for the LM386 (Section 4.7.5), with the exception of applying to different pin numbers.

4.8.4 Transistors

The three transistors on the LM389 are general purpose devices that can be used the same as other small signal transistors. As long as the currents and voltages are kept within the absolute maximum limitations, and the collectors are never at a negative potential with respect to pin 17, there is no limit on the way they can be used.

For example, the emitter-base breakdown voltage of 7.1V can be used as a zener diode at currents from $1 \mu\text{A}$ to 5mA. These transistors make good LED driver devices; V_{SAT} is only 150mV when sinking 10mA.

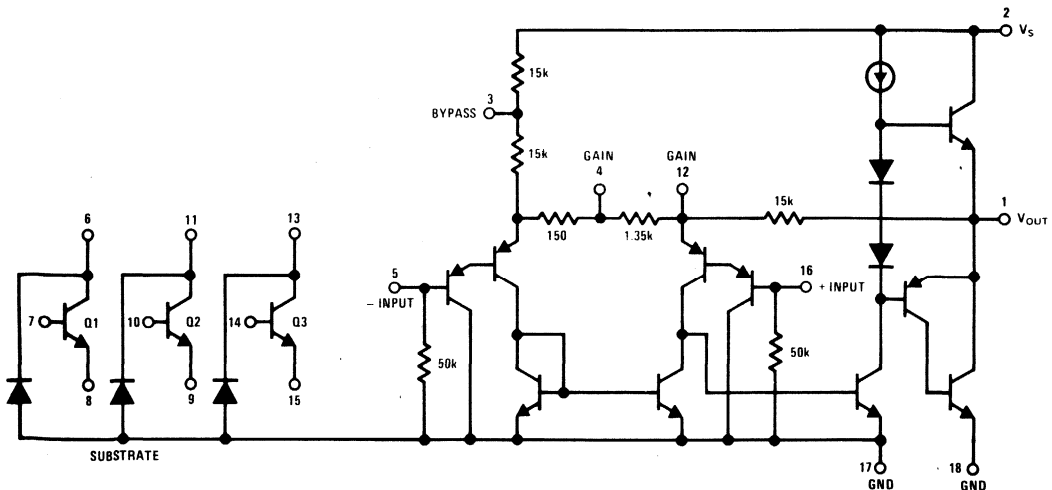


FIGURE 4.8.1 LM389 Simplified Schematic

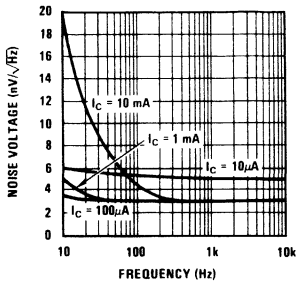


FIGURE 4.8.2 Noise Voltage vs. Frequency

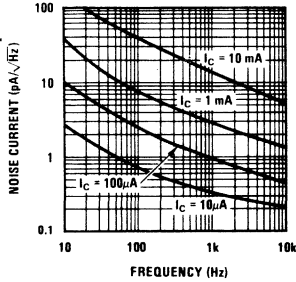


FIGURE 4.8.3 Noise Current vs. Frequency

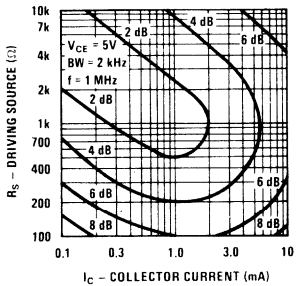


FIGURE 4.8.4 Contours of Constant Noise Figure

In the linear region, these transistors have been used in AM and FM radios, tape recorders, phonographs, and many other applications. Using the characteristic curves on noise voltage and noise current, the level of the collector current can be set to optimize noise performance for a given source impedance (Figures 4.8.2-4.8.4).

4.8.5 Typical Applications

The possible applications of three NPN transistors and a 0.5W power amplifier seem limited only by the designer's imagination. Many existing designs consist of three transistors plus a small discrete power amplifier; redesign with the LM389 is an attractive alternative — typical of these are battery powered AM radios. The LM389 makes a cost-saving single IC AM radio possible as shown in Figure 4.8.5.

Several applications of the LM389 follow as examples of practical circuits and also as idea joggors.

4.8.6 Tape Recorder

A complete record/playback cassette tape machine amplifier appears as Figure 4.8.6. Two of the transistors act as signal amplifiers, with the third used for automatic level control during the "record" mode. The complete circuit consists of only the LM389 plus one diode and the passive components.

4.8.7 Ceramic Phono Amplifier with Tone Controls

For proper frequency response (particularly at the low end), ceramic cartridges require a high termination impedance. Figure 4.8.7 shows a low-cost single IC phono amplifier where one of the LM389 transistors is used as a high input impedance emitter follower to provide the required cartridge load. The remaining transistors form a high-gain Darlington pair, used as the active element in a low distortion Baxandall tone control circuit (see Section 2.14.7).

4.8.8 Siren

The siren circuit of Figure 4.8.8 uses one of the LM389 transistors to gate the power amplifier on and off by applying one of the muting techniques discussed in Section 4.8.3. The other transistors form a cross-coupled multivibrator circuit that controls the rate of the square wave oscillator. The power amplifier is used as the square wave oscillator with individual frequency adjust provided by potentiometer R_{2B}.

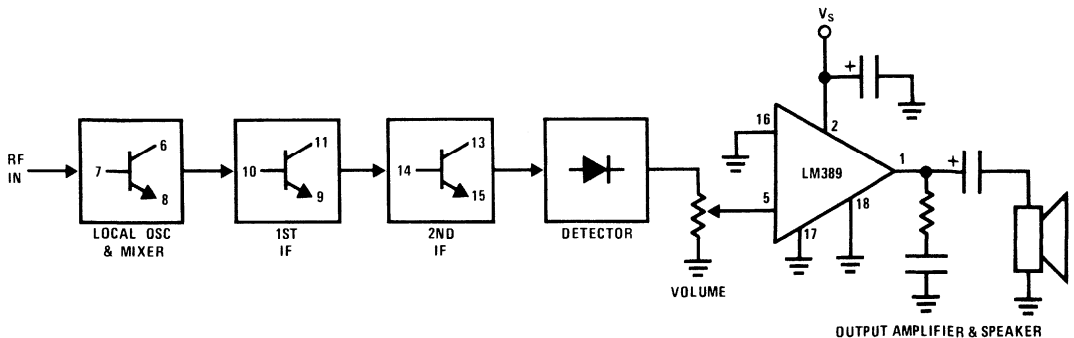


FIGURE 4.8.5 AM Radio

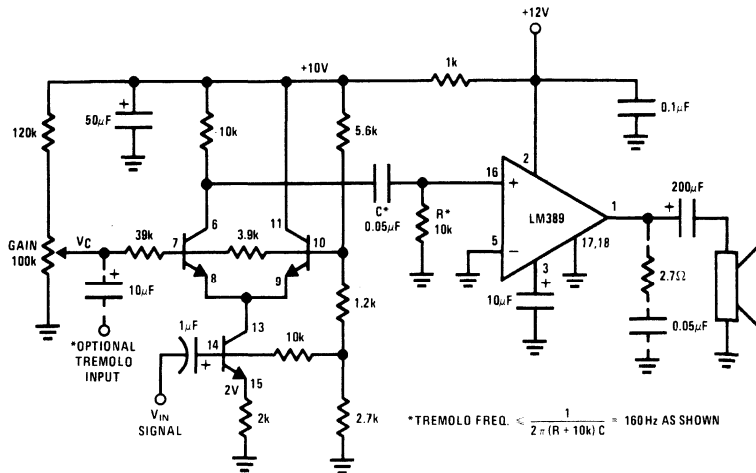


FIGURE 4.8.9 Voltage-Controlled Amplifier or Tremolo Circuit

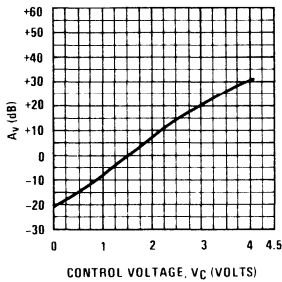


FIGURE 4.8.10 VCA Gain vs. Control Voltage

4.8.9 Voltage-Controlled Amplifier or Tremolo Circuit

A voltage-controlled amplifier constructed from the LM389 appears as Figure 4.8.9. Here the transistors form a differential pair with an active current-source tail. This configuration, known technically as a variable-transconductance multiplier, has an output proportional to the product of the two input signals. Multiplication occurs due to the dependence of the transistor transconductance on the emitter current bias. As shown, the emitter current is set up to a quiescent value of 1 mA by the resistive string. Gain control voltage, V_C , varies from 0 V (minimum gain = -20 dB) to 4.5 V (maximum gain = +30 dB), giving a total dynamic

range of 50 dB (Figure 4.8.10). V_{IN} signal levels should be restricted to less than 100 mV for good distortion performance. The output of the differential gain stage is capacitively fed to the power amplifier via the R-C network shown, where it is used to drive the speaker.

Tremolo (amplitude modulation of an audio frequency by a sub-audio oscillator — normally 5-15 Hz) applications require feeding the low frequency oscillator signal into the optional input shown. The gain control pot may be set for optimum "depth." Note that the interstage R-C network forms a high pass filter (160 Hz as shown), thus requiring the tremolo frequency to be less than this time constant for proper operation.

4.8.10 Noise Generator

By applying reverse voltage to the emitter of a grounded base transistor, the emitter-base junction will break down in an avalanche mode to form a handy zener diode. The reverse voltage characteristic is typically 7.1 V and may be used as a voltage reference, or a noise source as shown in Figure 4.8.11. The noise voltage is amplified by the second transistor and delivered to the power amplifier stage where further amplification takes place before being used to drive the speaker. The third transistor (not shown) may be used to gate the noise generator similar to Section 4.8.8 if required.

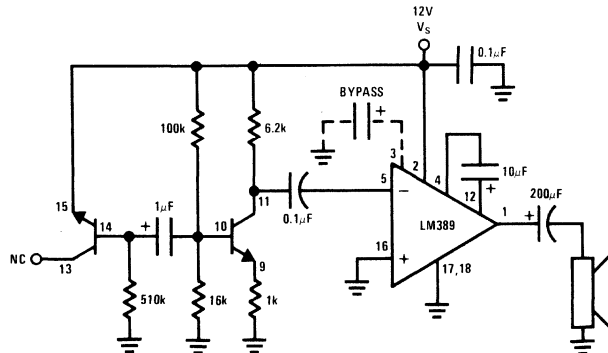


FIGURE 4.8.11 Noise Generator Using Zener Diode

4.8.11 Logic Controlled Mute

Various logic functions are possible with the three NPN transistors, making logic control of the mute function possible. Figures 4.8.12-4.8.14 show standard AND, OR and Exclusive-OR circuits for controlling the muting transistor. Using the optional mute scheme of shorting pin 12 to ground gives NAND, NOR and Exclusive NOR

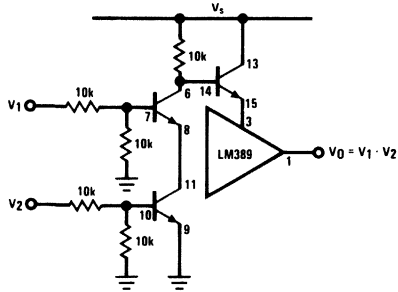


FIGURE 4.8.12 AND Muting

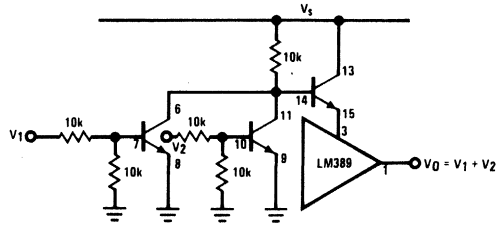


FIGURE 4.8.13 OR Muting

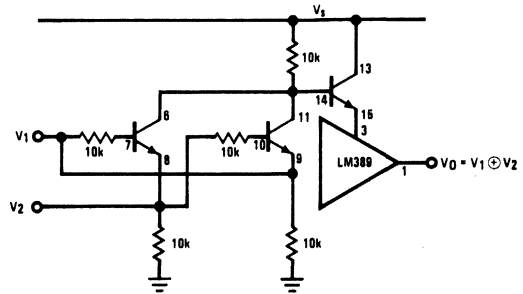


FIGURE 4.8.14 Exclusive-OR Muting

4.9 LM388 BOOTSTRAPPED AUDIO POWER AMPLIFIER

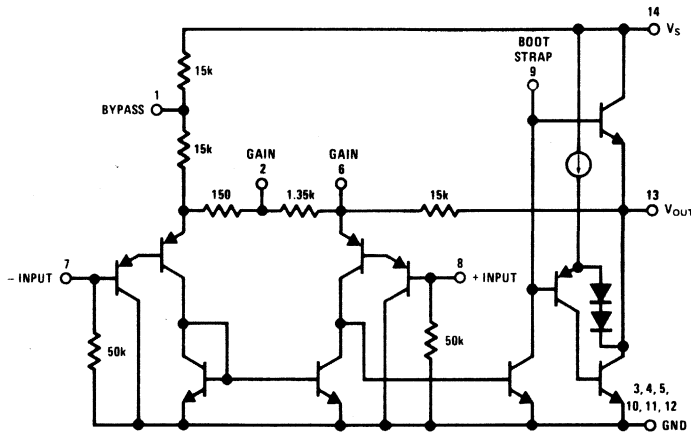


FIGURE 4.9.1 LM388 Simplified Schematic

4.9.1 Introduction

The LM388 audio power amplifier, designed for low voltage, medium power consumer applications, extends the LM386 design concept one step further by incorporating a bootstrapped output stage (Figure 4.9.1). Bootstrapping allows power levels in excess of 1W to be obtained from battery powered products (Figures 4.9.2-4.9.4). Packaging the LM388 into National's 14-pin copper lead-frame (same as

LM380) extends maximum package dissipation to values where heatsinking is eliminated for most designs.

4.9.2 General Operating Characteristics

The gain, internally set to 20V/V, is externally controlled in the same manner as the LM386. Consult Section 4.7.4 for details. Input biasing follows LM386 procedures outlined in Section 4.7.3; likewise, muting is the same as Section 4.7.5.

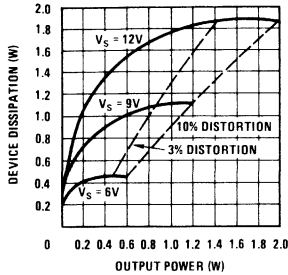


FIGURE 4.9.2 Device Dissipation vs. Output Power — 4 Ω Load

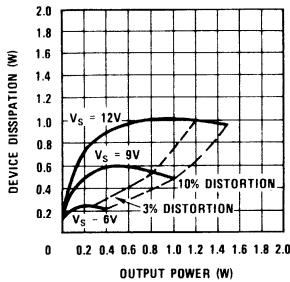


FIGURE 4.9.3 Device Dissipation vs. Output Power — 8 Ω Load

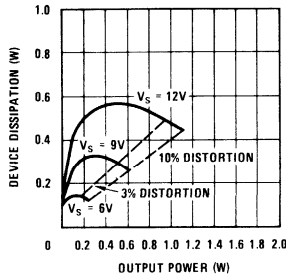


FIGURE 4.9.4 Device Dissipation vs. Output Power — 16 Ω Load

4.9.3 Bootstrapping (See also section 4.1.5.)

The base of the top side output transistor is brought out to pin 9 for bootstrapping. The term "bootstrapping" (derived from the expression, "... pull oneself up by one's bootstraps") aptly describes the effect. Figure 4.9.5 shows the output stage with the external parts necessary for standard bootstrapping operation. Capacitor C_B charges to approximately $V_S/4$ during the quiescent state of the amplifier and then acts to pull the base of the top transistor up ("by the bootstraps") as the output stage goes through its positive swing — actually raising pin 9 to a *higher* potential than the supply at the top of the swing. This occurs since the voltage on a capacitor cannot change instantaneously, but must decay at a rate fixed by the resistive discharge path.

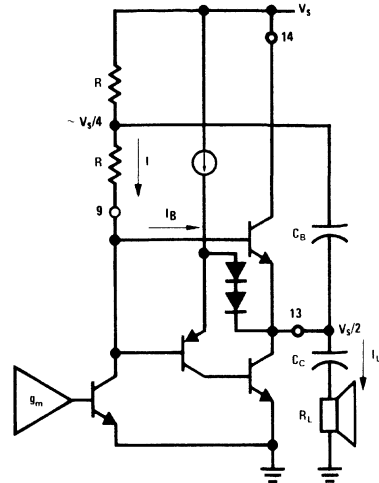


FIGURE 4.9.5 LM388 Output Stage

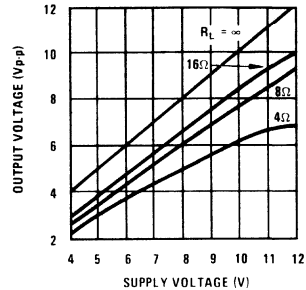


FIGURE 4.9.6 Peak-to-Peak Output Voltage Swing vs. Supply Voltage

The stored charge converts to a current with time and supplies the necessary base drive to keep the top transistor saturated during the critical peak period. The net effect allows higher positive voltage swings than can be achieved without bootstrapping. (See Figure 4.9.6.)

For design purposes, resistors (R) and bootstrap capacitor (C_B) can be determined from the following:

$$I_B = \frac{I_L}{\beta} = \frac{V_S/2 - V_{BE}}{2R} \approx \frac{V_S}{4R}$$

$$\therefore I_L = \frac{\beta V_S}{4R}$$

$$\text{also, } I_{L(\max)} = \frac{V_S/2}{R_L}$$

$$\text{so, } \frac{\beta V_S}{4R} = \frac{V_S}{2R_L}$$

$$\text{or, } R = \frac{\beta R_L}{2} \quad (4.9.1)$$

To preserve low frequency performance the pole due to C_B and $R/2$ (parallel result of R-R) is set equal to the pole due to C_C and R_L :

$$\frac{R}{2} C_B = R_L C_C \quad (4.9.2)$$

Substituting Equation (4.9.1) into (4.9.2) yields:

$$C_B = \frac{4 C_C}{\beta} \quad (4.9.3)$$

Letting $\beta = 100$ (nominal) gives:

$$R = 50 R_L \quad (4.9.4)$$

$$C_B = \frac{C_C}{25} \quad (4.9.5)$$

For reduced component count the load can replace the upper resistor, R (Figure 4.9.7). The value of bootstrap resistors $R+R$ must remain the same, so the lower R is increased to $2R$ (assuming speaker resistance to be negligible). Output capacitor (C_C) now serves the dual function of bootstrapping and coupling. It is sized about 5% larger since it now supplies base drive to the upper transistor.

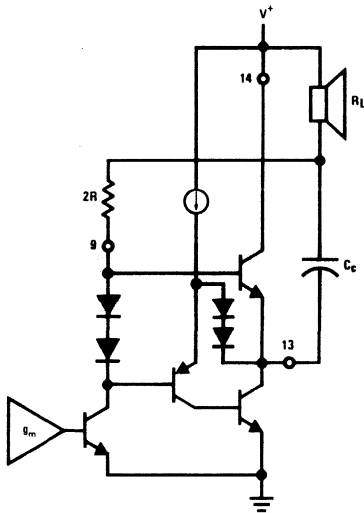


FIGURE 4.9.7 Bootstrapping with Load to Supply

Examples of both bootstrapping methods appear as Figures 4.9.8 and 4.9.9. Note that the resistor values are slightly larger than Equation (4.9.4) would dictate. This recognizes that $I_{L(max)}$ is, in fact, always less than $[V_S/2] / R_L$ due to saturation and V_{BE} losses.

A third bootstrapping method appears as Figure 4.9.10, where the upper resistor is replaced by a diode (with a subsequent increase in the resistance value of the lower resistor). Addition of the diode allows capacitor C_B to be decreased by about a factor of four, since no stored charge is allowed to discharge back into the supply line.

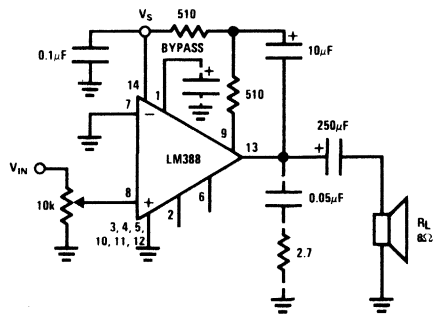


FIGURE 4.9.8 Load Returned to Ground (Amplifier with Gain = 20)

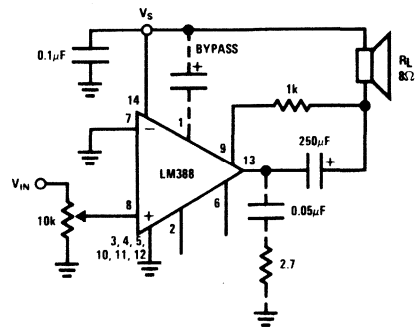


FIGURE 4.9.9 Load Returned to V_S (Amplifier with Gain = 20)

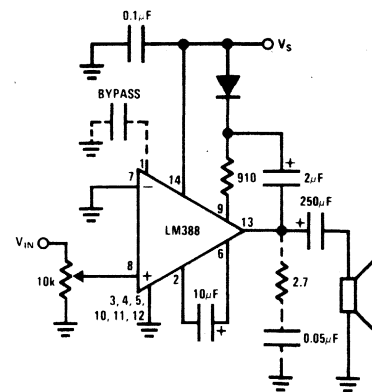


FIGURE 4.9.10 Amplifier with Gain = 200 and Minimum C_B

4.9.4 Bridge Amplifier

For low voltage applications requiring high power outputs, the bridge connected circuit of Figure 4.9.11 can be used. Output power levels of 1.0W into 4Ω from 6V and 3.5W into 8Ω from 12V are typical. Coupling capacitors are not necessary since the output DC levels will be within a few tenths of a volt of each other. Where critical matching is required the 500k potentiometer is added and adjusted for zero DC current flow through the load.

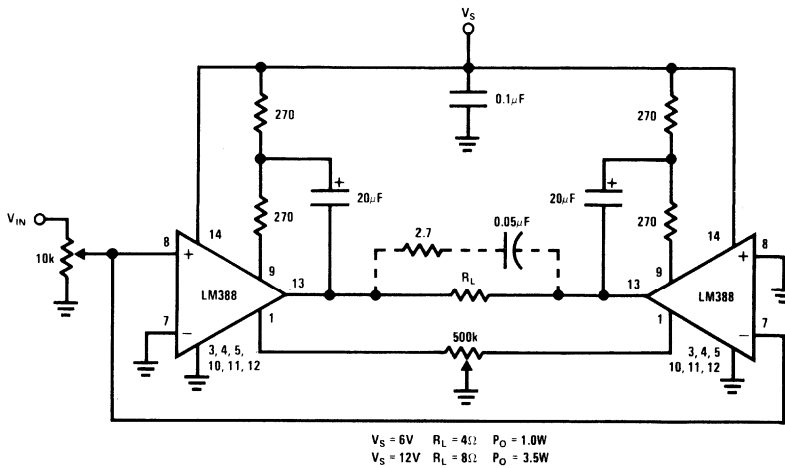


FIGURE 4.9.11 Bridge Amp

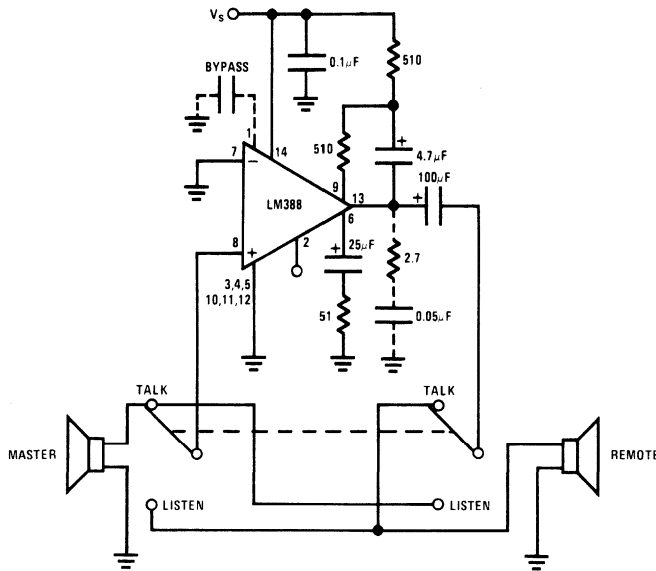


FIGURE 4.9.12 Intercom

4.9.5 Intercom

A minimum parts count intercom circuit (Figure 4.9.12) is made possible by the high gain of the LM388. Using the gain control pin to set the AC gain to approximately 300V/V ($A_V \approx 15k/51\Omega$) allows elimination of the step-up transformer normally used in intercom designs (e.g., Figure 4.5.22). The optional 2.7Ω-0.05μF R-C network suppresses spurious oscillations as described for the LM380 (Section 4.5.5).

4.9.6 FM Scanners and Two Way Walkie Talkies

Designed for the high volume consumer market, the LM388 ideally suits applications in FM scanners and two way walkie talkie radios. Requirements for this market generally fall into three areas:

1. Low cost FM scanners; $V_S = 6V$, $P_O = 0.25W$
2. Consumer walkie talkie (including CB); $V_S = 12V$, $P_O = 0.5W$
3. High quality hand-held portables; $V_S = 7.5V$, $P_O = 0.5W$

Since all equipment is battery operated, current consumption is important; also, the amplifier must be squelchable, i.e., turned off with a control signal. The LM388 meets both of these requirements. When squelched, the LM388 draws only 0.8mA from a 7.5V power supply.

A typical high quality hand held portable application with noise squelch appears as Figure 4.9.13. Diodes D_1 and D_2 rectify noise from the limiter or the discriminator of the receiver, producing a DC current to turn on Q_1 , which clamps the LM388 in an off condition.

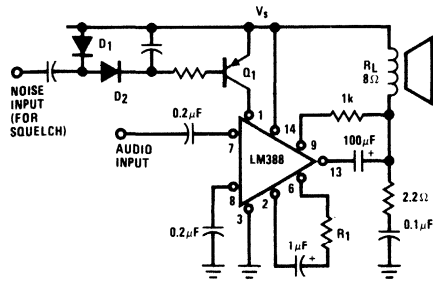


FIGURE 4.9.13 LM388 Squelch Circuit for FM Scanners and Walkie Talkies

As shown, the following performance is obtained:

- Voltage gain equals 20 to 200 (selectable with R_1).
- Noise (output squelched) equals $20\mu\text{V}$.
- $P_O = 0.53\text{W}$ ($V_S = 7.5\text{V}$, $R_L = 8\Omega$, THD = 5%)
- $P_O = 0.19\text{W}$ ($V_S = 4.5\text{V}$, $R_L = 8\Omega$, THD = 5%)
- Current consumption ($V_S = 7.5\text{V}$):
 squelched – 0.8mA
 $P_O = 0.5\text{W}$ – 110mA

4.10 LM390 1 WATT BATTERY OPERATED AUDIO POWER AMPLIFIER

Battery operated consumer products often employ 4Ω speaker loads for increased power output. The LM390 meets the stringent output voltage swings and higher currents demanded by low impedance loads. Bootstrapping of the upper output stage (Figure 4.10.1) maximizes positive swing, while a unique biasing scheme (Figure 4.10.2) used on the lower half allows negative swings down to within one saturation drop above ground. Special processing techniques are employed to reduce saturation voltages to a minimum. The result is a monolithic solution to the difficulties of obtaining higher power levels from low voltage supplies. The LM390 delivers 1W into 4Ω (6V) at a lower cost than any competing approach, discrete or IC (Figure 4.10.3).

In all other respects (including pin-out) the LM390 is identical to the LM388 (Section 4.9). Gain control, input biasing, muting, and bootstrapping are all as explained previously for the LM386 and LM388.

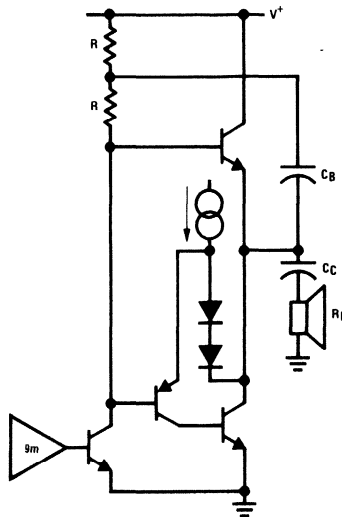


FIGURE 4.10.2 LM390 Output Stage

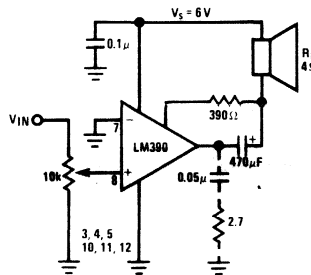


FIGURE 4.10.3 1 Watt Power Amplifier for 6 Volt Systems

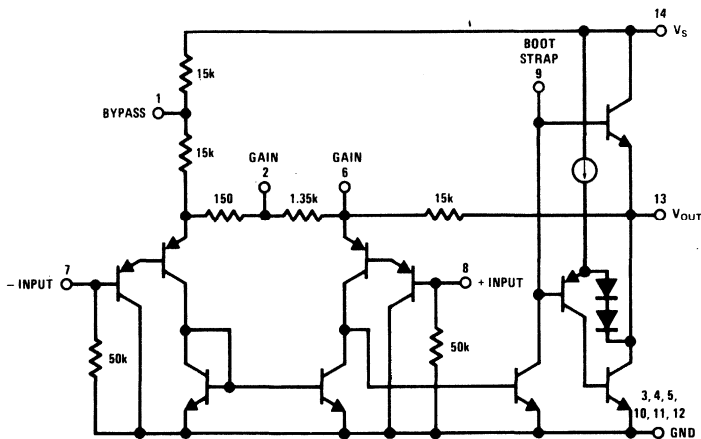


FIGURE 4.10.1 LM390 Simplified Schematic

4.11 BOOSTED POWER AMPLIFIERS

4.11.1 Introduction

When output power requirements exceed the limits of available monolithic devices, boosting of the output with two external transistors may be done to obtain higher power levels. The simplest approach involves adding a complementary emitter follower output stage within the feedback loop. The limiting factor is the limitation upon output voltage swing imposed by the B-E drop from the driver's output. Such designs cannot swing closer to the rail voltages than about one volt less than the IC's swing.

4.11.2 Output Boost with Emitter Followers

The simple booster circuit of Figure 4.11.1 allows power output of 10W/channel when driven from the LM378. The circuit is exceptionally simple, and the output exhibits lower levels of crossover distortion than does the LM378 alone. This is due to the inclusion of the booster transistors within the feedback loop. At signal levels below 20mW, the LM378 supplies the load directly through the 5Ω resistor to about 100mA peak current. Above this level, the booster transistors are biased ON by the load current through the same 5Ω resistor.

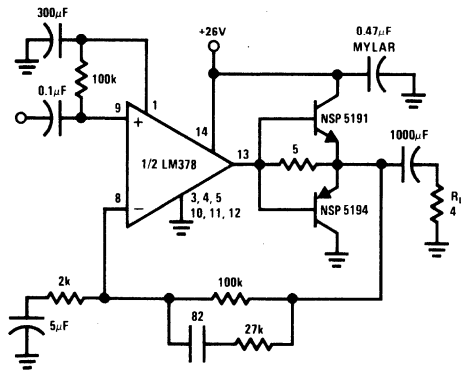


FIGURE 4.11.1 10 Watt Power Amplifier

The response of the 10W boosted amplifier is indicated in Figure 4.11.2 for power levels below clipping. Distortion is below 2% from about 50 Hz to 30kHz. 15W RMS power is available at 10% distortion; however, this represents extreme clipping. Although the LM378 delivers little power, its heat sink must be adequate for about 3W package dissipation. The output transistors must also have an adequate heat sink.

The circuit of Figure 4.11.3 achieves about 12W/channel output prior to clipping. Power output is increased because there is no power loss due to effective series resistance and capacitive reactance of the output coupling capacitor required in the single supply circuit. At power up to 10W/channel, the output is extremely clean, containing less than 0.2% THD midband at 10W. The bandwidth is also improved due to absence of the output coupling capacitor. The frequency response and distortion are plotted in Figures 4.11.4 and 4.11.5 for low and high power levels. Note that the input coupling capacitor is still required, even though the input may be ground referenced, in order to isolate and balance the DC input offset due to input bias current. The

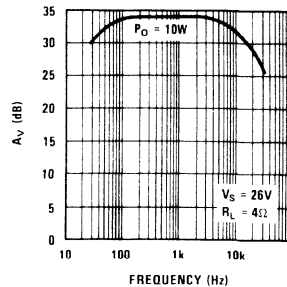


FIGURE 4.11.2 10 Watt Boosted Amplifier, Frequency Response

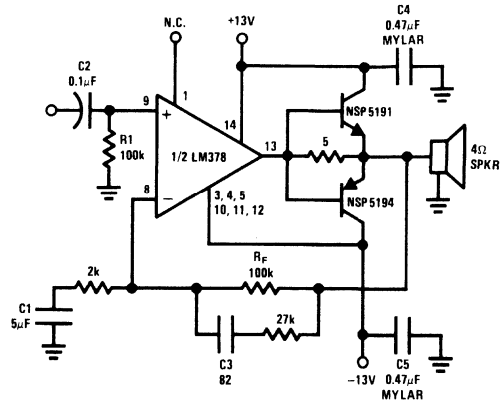


FIGURE 4.11.3 12 Watt Low-Distortion Power Amplifier

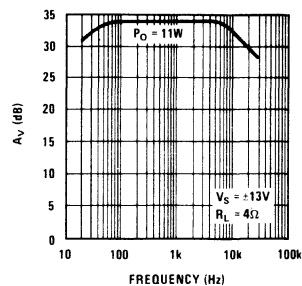


FIGURE 4.11.4 Response for Amplifier of Figure 4.11.3

feedback coupling capacitor, C_1 , maintains DC loop gain at unity to insure zero DC output voltage and zero DC load current. Capacitors C_1 and C_2 both contribute to decreasing gain at low frequencies. Either or both may be increased for better low frequency bandwidth. C_3 and the 27k resistor provide increased high frequency feedback for improved high frequency distortion characteristics. C_4 and C_5 are low inductance mylar capacitors connected within 2 inches of the IC terminals to ensure high frequency stability. R_1 and R_f are made equal to maintain $V_{OUTDC} = 0$. The output should be within 10 to 20mV of zero volts DC. The internal

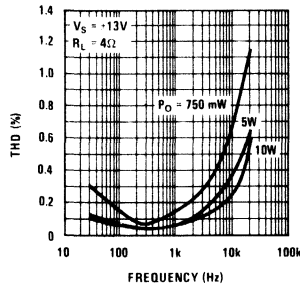


FIGURE 4.11.5 Distortion for Amplifier of Figure 4.11.3

bias is unused; pin 1 should be open circuit. When experimenting with this circuit, use the amplifier connected to terminals 8, 9 and 13. If using only the amplifier on terminals 6, 7 and 2, connect terminals 8 and 9 to ground (split supply) to cause the internal bias circuits to disconnect.

4.11.3 LM391 Power Driver

Coming in late 1976 will be National's LM391 power driver IC designed to provide complementary output drive for external transistors. Power amplifiers up to 50W will be possible with complete SOA protection provided on-chip, allowing for simple, low parts-count designs. User gain control, set externally, offers maximum flexibility, while special internal techniques allow for the high supply voltages required by high power amplifiers, thus eliminating the expense and inconvenience of two power supplies. Optimized for the top-of-the-line medium power amplifiers, the LM391 promises to simplify and cut costs of these designs while retaining true high quality performance.

For high power, battery operated audio products, work is being finalized on a new low voltage driver IC designed to complement the LM391 in operation and performance, but optimized for 6-12V, 2Ω designs. Scheduled for introduction in early 1977, this IC will greatly reduce the cost and difficulties of obtaining the high output swing and large currents demanded.

4.12 POWER DISSIPATION

Power dissipation within the integrated circuit package is a very important parameter requiring a thorough understanding if optimum power output is to be obtained. An incorrect power dissipation (P_D) calculation may result in inadequate heatsinking, causing thermal shutdown to operate and limit the output power. All of National's line of audio power amplifiers use class B output stages. Analysis of a typical (ideal) output circuit results in a simple and accurate formula for use in calculating package power dissipation.

4.12.1 Class B Power Considerations

Begin by considering the simplest audio circuit as in Figure 4.12.1, where the power delivered to the load is:

$$P_o = \frac{V_o^2}{R_L} = I_o^2 R_L \quad (4.12.1)$$

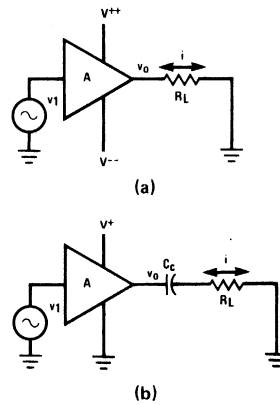


FIGURE 4.12.1 Simple Audio Circuits

where: P_o = power output
 V_o = RMS output voltage
 I_o = RMS output current

Transforming Equation (4.12.1) into peak-to-peak quantities gives:

$$P_o = \frac{V_{OPP}^2}{8 R_L} = \frac{R_L I_{OPP}^2}{8} \quad (4.12.2)$$

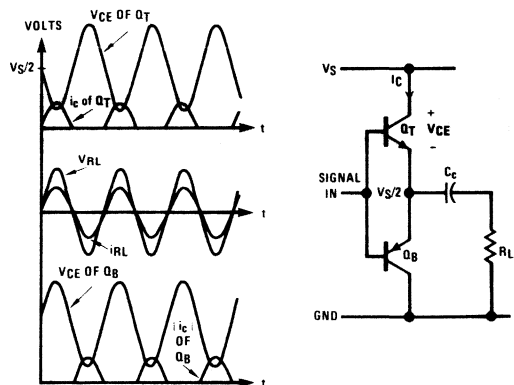


FIGURE 4.12.2 Class B Waveforms

Figure 4.12.2 illustrates current and voltage waveforms in a typical class B output. Dissipation in the top transistor Q_T is the product of collector-emitter voltage and current, as shown on the top axis. Certainly Q_T dissipates zero power when the output voltage is not swinging, since the collector current is zero. On the other hand, if the output waveform is overdriven to a square wave (delivering maximum power to the load, R_L) Q_T delivers large currents, but the voltage across it is zero — again resulting in zero power. In the range of output powers between these extremes, Q_T goes through a point of maximum dissipation. This point always occurs when the peak-to-peak output voltage is 0.637 times

the power supply. At that level, assuming all class B power is dissipated in the two output transistors, the chip dissipation is:

$$\max P_D = \frac{V_s^2}{2\pi^2 R_L} \approx \frac{V_s^2}{20 R_L} \quad (4.12.3)$$

Inserting the applicable supply voltage and load impedance into Equation (4.12.3) gives the information needed to size the heat sink for worst case conditions.

4.12.2 Derivation of Max P_D

The derivation of Equation (4.12.3) for maximum power dissipation follows from examination of Figure 4.12.2 and application of standard power formulas:

Neglect X_{C_C} and let $V_L' =$ voltage across the load (resistive)

then

$$V_L' = V_L \sin \omega t$$

$$V_{CE} = V_s - \left(\frac{V_s}{2} + V_L \sin \omega t \right) = \frac{V_s}{2} - V_L \sin \omega t$$

$$I_C = \frac{V_L \sin \omega t}{R_L}$$

since

$$P_D = \frac{1}{2\pi} \int_0^\pi p_d d(\omega t)$$

two transistors operated Class B (since both transistors are in the same IC package)

where: $P_D =$ average power

$p_d =$ instantaneous power

then

$$\begin{aligned} P_D &= \frac{1}{\pi} \int_0^\pi \left(\frac{V_s}{2} - V_L \sin \omega t \right) \left(\frac{V_L \sin \omega t}{R_L} \right) d(\omega t) \\ &= \frac{V_s V_L}{2\pi R_L} \int_0^\pi \sin \omega t d(\omega t) - \frac{V_L^2}{2\pi R_L} \int_0^\pi (1 - \cos 2\omega t) d(\omega t) \\ &= \frac{V_s V_L}{2\pi R_L} (2) - \frac{V_L^2}{2\pi R_L} (\pi) \\ &= \frac{V_s V_L}{\pi R_L} - \frac{V_L^2}{2 R_L} \end{aligned} \quad (4.12.4)$$

Equation (4.12.4) is the average power dissipated; the *maximum* average power dissipated will occur for the value of V_L that makes the first derivative of Equation (4.12.4) equal to zero:

$$\frac{d(P_D)}{d(V_L)} = \frac{V_s}{\pi R_L} - \frac{V_L}{R_L} = 0 \text{ at maximum}$$

$$\therefore V_{Lp} = \frac{V_s}{\pi} \quad (4.12.5)$$

Equation (4.12.5) is the peak value of V_L that results in max P_D ; multiplying by two yields the peak-to-peak value for max P_D :

$$V_{Lp-p} = \frac{2 V_s}{\pi} = 0.637 V_s \quad (4.12.6)$$

Substitution of Equation (4.12.5) into Equation (4.12.4) gives the final value for max P_D :

$$\max P_D = \frac{V_s^2}{2\pi^2 R_L} \approx \frac{V_s^2}{20 R_L} \quad (4.12.7)$$

Another useful form of Equation (4.12.7) is obtained by substitution of Equation (4.12.2):

$$\max P_D = \frac{4}{\pi^2} P_O(\max) \quad (4.12.8)$$

4.12.3 Application of Max P_D

Max P_D determines the necessity and degree of external heatsinking, as will be discussed in Section 4.14.

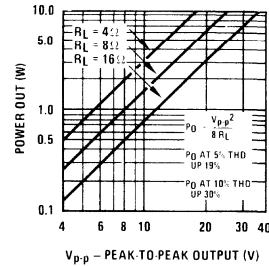


FIGURE 4.12.3 Power Out

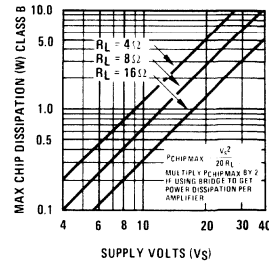


FIGURE 4.12.4 Max Chip Dissipation

The nomographs of Figures 4.12.3 and 4.12.4 make it easy to determine package power dissipation as well as output VI characteristics for popular conditions. Since part of the audio amplifier specmanship game involves juggling output power ratings given at differing distortion levels, it is useful to know that:

P_O increases by 19% at 5% THD

P_O increases by 30% at 10% THD

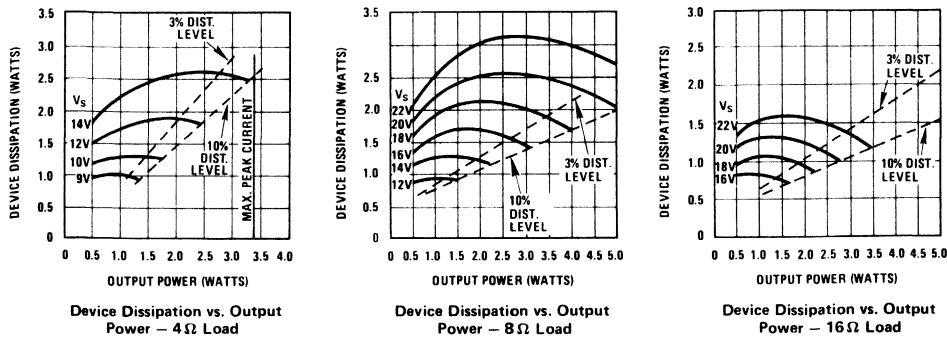


FIGURE 4.12.5 Data Power Curves as Shown on Many Data Sheets

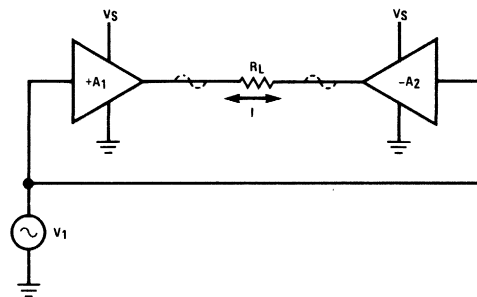


FIGURE 4.12.6 Bridge Audio

Equation (4.12.6) raises an intriguing question: If max P_D occurs at peak-to-peak output voltages equal to 0.637 times the power supply, will P_D go down if the output swing is increased? The answer is yes — indeed if an amplifier runs at $0.637V_s$ to the load, and then is driven harder, say to $0.8V_s$, it will cool off, a phenomenon implied in the power curves given on many audio amplifier data sheets (Figure 4.12.5).

4.12.4 Max P_D of Bridge Amplifiers

Bridge connecting two amplifiers as in Figure 4.12.6 results in a large increase of output power. In this configuration the amplifiers are driven antiphase so that when A_1 's output voltage is at V_s , A_2 's output is at ground. Thus the peak-to-peak voltage is ideally twice the supply voltage. Since output power is the square of voltage, four times more power can be obtained than from one of these same amplifiers run single. Note, however, that since the peak voltage across the bridged load is twice that run as a single, the amplifiers must be capable of twice the peak currents. This, along with the fact that no real power amplifier can swing its output completely to V_s and ground, explains why actual bridge circuits never fully realize four times their single circuit output power.

Power dissipation in a bridge is calculated by noting that the voltage at the center of the load does not move. Thus, Equation (4.12.3) can be applied to half the load resistor:

$$P_{A1 \text{ or } A2} = \frac{V_s^2}{\pi^2 R_L} = \frac{V_s^2}{10 R_L} \quad (4.12.8)$$

4.13 EFFECT OF SPEAKER LOADS

The power dissipation results found in the previous section assumed a purely resistive load; however, real-world speakers are anything but resistive. Figure 4.13.1 shows an impedance curve for a typical dynamic loudspeaker. As can be seen, there is a wide variation in impedance between 20 Hz and 20 kHz. The impedance at the resonant frequency can commonly measure five times or more the rated impedance. Indeed, many speakers will only display their rated impedance at one frequency (typically 400 Hz). The actual impedance is a complex value of DC resistance, inductive reactance of the voice coil, coupling capacitor reactance, crossover network impedance and frequency. In general, though, loudspeakers appear inductive with a worst case phase angle of 60 degrees. This means that the voltage through the speaker leads the current by 60 degrees.

Abandoning mathematical rigor for a more intuitive approach to what phase angle does to maximum average power dissipation produces the realization that the worst case load for power dissipation is purely reactive, i.e., 90 degrees phase angle. This becomes clear by considering the resistive case of zero phase angle depicted in Figure 4.13.2a, where the maximum voltage across the load, V_L , results in maximum current, I_L ; but since they are in phase there exists zero volts across the device and no package dissipation results. Now, holding everything constant while introducing a phase angle causes the voltage waveforms to shift position in time, while the current stays the same. The voltage across the load becomes smaller and the voltage across the package becomes larger, so with the same current flowing package dissipation increases. At the limit of 90 degree phase

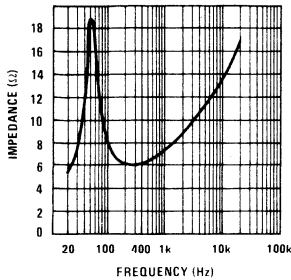


FIGURE 4.13.1 Impedance Curve for a Typical Dynamic Loudspeaker

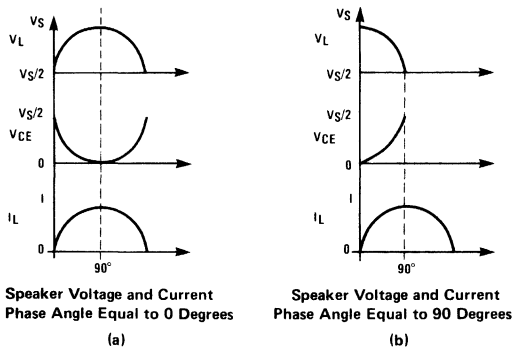


FIGURE 4.13.2 Phase Angle Relationship Between Voltage and Current

difference Figure 4.13.2b results, where there exists zero volts across the load, maximum voltage across the package, and maximum current flowing through both, producing maximum package dissipation.

Returning to mathematics for a moment to derive a new expression containing phase angle and plotting the results produces the curve shown in Figure 4.13.3. The importance of Figure 4.13.3 is seen by comparing the power ratio at zero degrees (0.405) with that at 60 degrees (0.812) — double! This means that *the maximum package dissipation can be twice as much for a loudspeaker load as for a resistive load*. What softens this hard piece of reality is the relative rarity and short duration of amplifiers running at (or near)

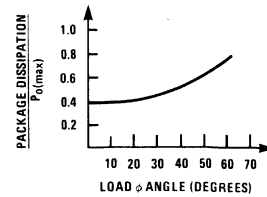


FIGURE 4.13.3 Class B Package Dissipation for Reactive Loads

maximum power output; also, most heat sinks have adequate thermal capacity to ride through these peaks. In any event, phase angle is real and it does increase power dissipation and needs to be considered in heat sink design.

4.14 HEATSINKING

Insufficient heatsinking accounts for many phone calls made to complain about power ICs not meeting published specs. This problem may be avoided by proper application of the material presented in this section. Heatsinking is not difficult, although the first time through it may seem confusing.

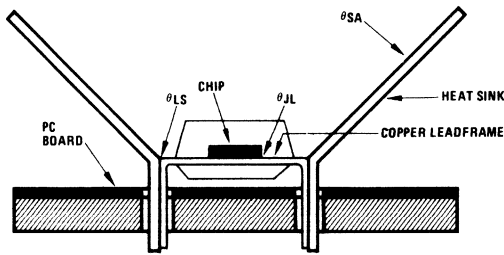
If testing a breadboarded power IC results in premature waveform clipping, or a “truncated shape,” or a “melting down” of the positive peaks, the IC is probably in thermal shutdown and requires more heatsinking. The following information is provided to make proper heat sink selection easier and help take the “black magic” out of package power dissipation.

4.14.1 Heat Flow

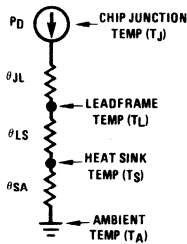
Heat can be transferred from the IC package by three methods, as described and characterized in Table 4.14.1.

TABLE 4.14.1 Methods of Heat Flow

METHOD	DESCRIBING PARAMETERS
Conduction is the heat transfer method most effective in moving heat from junction to case and case to heat sink.	Thermal resistance θ_{JC} and θ_{CS} . Cross section, length and temperature difference across the conducting medium.
Convection is the effective method of heat transfer from case to ambient and heat sink to ambient.	Thermal resistance θ_{SA} and θ_{CA} . Surface condition, type of convecting fluid, velocity and character of the fluid flow (e.g., turbulent or laminar), and temperature difference between surface and fluid.
Radiation is important in transferring heat from cooling fins.	Surface emissivity and area. Temperature difference between radiating and adjacent objects or space. See Table 4.14.2 for values of emissivity.



(a) Mechanical Diagram



(b) Electrical Equivalent

Symbols and Definitions

- θ = Thermal Resistance ($^{\circ}\text{C}/\text{W}$)
- θ_{JL} = Junction to Leadframe
- θ_{LS} = Leadframe to Heat Sink
- θ_{SA} = Heat Sink to Ambient
- θ_{JS} = Junction to Heat Sink = $\theta_{\text{JL}} + \theta_{\text{LS}}$
- θ_{JA} = Junction to Ambient = $\theta_{\text{JL}} + \theta_{\text{LS}} + \theta_{\text{SA}}$
- T_{J} = Junction Temperature (maximum) ($^{\circ}\text{C}$)
- T_{A} = Ambient Temperature
- P_{D} = Power Dissipated (W)

(c) Symbols and Definitions

FIGURE 4.14.1 Heat Flow Model

4.14.2 Thermal Resistance

Thermal resistance is nothing more than a useful figure-of-merit for heat transfer. It is simply temperature drop divided by power dissipated, under steady state conditions. The units are usually $^{\circ}\text{C}/\text{W}$ and the symbol most used is θ_{AB} . (Subscripts denote heat flowing from A to B.)

The thermal resistance between two points of a conductive system is expressed as:

$$\theta_{12} = \frac{T_1 - T_2}{P_D} \text{ } ^{\circ}\text{C}/\text{W} \quad (4.14.1)$$

4.14.3 Modeling Heat Flow

An analogy may be made between thermal characteristics and electrical characteristics which makes modeling straight-forward:

- T – temperature differential is analogous to V (voltage)
- θ – thermal resistance is analogous to R (resistance)
- P – power dissipated is analogous to I (current)

Observe that just as $R = V/I$, so is its analog $\theta = T/P$. The model follows from this analog.

A simplified heat transfer circuit for a power IC and heat sink system is shown in Figure 4.14.1. The circuit is valid only if the system is in thermal equilibrium (constant heat flow) and there are, indeed, single specific temperatures T_{J} , T_{L} , and T_{S} (no temperature distribution in junction, case, or heat sink). Nevertheless, this is a reasonable approximation of actual performance.

4.14.4 Where to Find Parameters

P_D

Package dissipation is read directly from the "Power Dissipation vs. Power Output" curves that are found on all of the audio amp data sheets. Most data sheets provide separate curves for either 4, 8 or 16 Ω loads. Figure 4.14.2 shows the 8 Ω characteristics of the LM378.

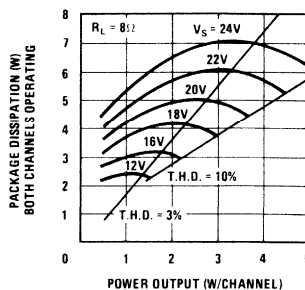


FIGURE 4.14.2 Power Dissipation vs. Power Output

Note: For $P_O = 2W$ and $V_S = 18V$, $P_{D(max)} = 4.1W$, while the same P_O with $V_S = 24V$ gives $P_{D(max)} = 6.5W$ – 50% greater! This point cannot be stressed too strongly: For minimum P_D , V_S must be selected for the minimum value necessary to give the required power out.

For loads other than those covered by the data sheet curves, max power dissipation may be calculated from Equation (4.14.2). (See Section 4.12.)

$$P_{D(max)} = \frac{V_S^2}{20 R_L} \quad (4.14.2)$$

Equation (4.14.2) is for each channel when applied to duals. When used for bridge configurations, package dissipation will be twice that found from Figure 4.14.2 (or four times Equation (4.14.2)).

θ_{LS}

Thermal resistance between lead frame and heatsink is a function of how close the bond can be made. The method recommended is use of 60/40 solder. When soldered, θ_{LS} may be neglected or a value of $\theta_{LS} = 0.25^\circ C/W$ may be used.

$T_J(max)$

Maximum junction temperature for each device is $150^\circ C$.

θ_{JL}

Thermal resistance between junction to lead frame (or junction to heat sink if θ_{LS} is ignored) is read, directly from the "Maximum Dissipation vs. Ambient Temperature" curve found on the data sheet. Figure 4.14.3 shows a typical curve for the LM378.

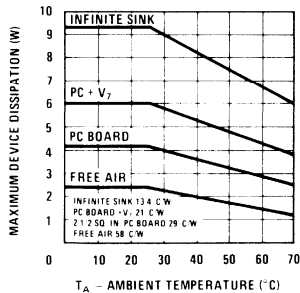


FIGURE 4.14.3 Maximum Dissipation vs. Ambient Temperature

Note: θ_{JL} is the slope of the curve labeled "Infinite Sink." It is also $\theta_{JA(best)}$, while $\theta_{JA(worst)}$ is the slope of the "Free Air" curve, i.e., infinite heat sink and no heat sink respectively.

So, what does it mean? Simply that with no heat sink you can only dissipate

$$\frac{150^\circ C - 25^\circ C}{58^\circ C/W} = 2.16W.$$

And with the best heat sink possible, the maximum dissipation is

$$\frac{150^\circ C - 25^\circ C}{13.4^\circ C/W} = 9.33W$$

Or, for you formula lovers:

$$\text{Max Allowable } P_D = \frac{T_J(max) - T_A}{\theta_{JA}} \quad (4.14.3)$$

4.14.5 Procedure for Selecting Heat Sink

1. Determine $P_{D(max)}$ from curve or Equation (4.14.2).
2. Neglect θ_{LS} if soldering; if not, θ_{LS} must be considered.
3. Determine θ_{JL} from curve.
4. Calculate θ_{JA} from Equation (4.14.3).
5. Calculate θ_{SA} for necessary heat sink by subtracting (2) and (3) from (4) above, i.e., $\theta_{SA} = \theta_{JA} - \theta_{JL} - \theta_{LS}$.

For example, calculate heat sink required for an LM378 used with $V_S = 24V$, $R_L = 8\Omega$, $P_O = 4W/channel$ and $T_A = 25^\circ C$:

1. From Figure 4.14.2, $P_D = 7W$.
2. Heat sink will be soldered, so θ_{LS} is neglected.
3. From Figure 4.14.3, $\theta_{JL} = 13.4^\circ C/W$.
4. From Equation (4.14.3),

$$\theta_{JA} = \frac{150^\circ C - 25^\circ C}{7W} = 17.9^\circ C/W.$$

5. From Equation (4.14.4),

$$\theta_{SA} = 17.9^\circ C/W - 13.4^\circ C/W = 4.5^\circ C/W.$$

Therefore, a heat sink with a thermal resistance of $4.5^\circ C/W$ is required. Examination of Figure 4.14.3 shows this to be substantial heatsinking, requiring forethought as to board space, sink cost, etc.

Results modeled:

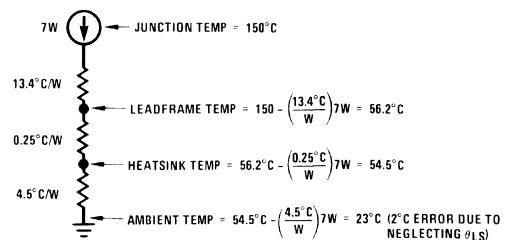


FIGURE 4.14.4 Heat Flow Model for LM378 Example

4.14.6 Custom Heat Sink Design

The required θ_{SA} was determined in Section 4.14.5. Even though many heat sinks are commercially available, it is sometimes more practical, more convenient, or more economical to mount the regulator to chassis, to an aluminum extrusion, or to a custom heat sink. In such cases, design a simple heat sink.

Simple Rules

1. Mount cooling fin vertically where practical for best conductive heat flow.
2. Anodize, oxidize, or paint the fin surface for better radiation heat flow; see Table 4.14.2 for emissivity data.
3. Use 1/16" or thicker fins to provide low thermal resistance at the IC mounting where total fin cross-section is least.

Fin Thermal Resistance

The heat sink-to-ambient thermal resistance of a vertically mounted symmetrical square or round fin (see Figure 4.4.5) in still air is:

$$\theta_{SA} = \frac{1}{2 H^2 \eta (h_c + h_r)} \text{ } ^\circ\text{C/W} \quad (4.14.5)$$

where: H = height of vertical plate in inches

η = fin effectiveness factor

h_c = convection heat transfer coefficient (4.14.6)

h_r = radiation heat transfer coefficient (4.14.7)

$$h_c = 2.21 \times 10^{-3} \left(\frac{T_S - T_A}{H} \right)^{1/4} \text{ W/in}^2\text{ } ^\circ\text{C}$$

$$h_r = 1.47 \times 10^{-10} E \left(\frac{T_S + T_A}{2} + 273 \right)^3 \text{ W/in}^2\text{ } ^\circ\text{C}$$

where: T_S = temperature of heat sink at IC mounting, in $^\circ\text{C}$

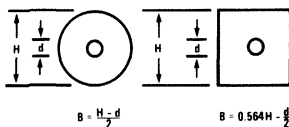
T_A = ambient temperature in $^\circ\text{C}$

E = surface emissivity (see Table 4.14.2)

Fin effectiveness factor η includes the effects of fin thickness, shape, thermal conduction, etc. It may be determined from the nomogram of Figure 4.14.6.

TABLE 4.14.2 Emissivity Values for Various Surface Treatments

SURFACE	EMISSIONITY, E
Polished Aluminum	0.05
Polished Copper	0.07
Rolled Sheet Steel	0.66
Oxidized Copper	0.70
Black Anodized Aluminum	0.7 - 0.9
Black Air Drying Enamel	0.85 - 0.91
Dark Varnish	0.89 - 0.93
Black Oil Paint	0.92 - 0.96



Note: For $H \gg d$, using $B = H/2$ is a satisfactory approximation for either square or round fins.

FIGURE 4.14.5 Symmetrical Fin Shapes

The procedure for use of the nomogram of Figure 4.14.6 is as follows:

1. Specify fin height H as first approximation.
2. Calculate $h = h_r + h_c$ from Equations (4.14.6) and (4.14.7).
3. Determine α from values of h and fin thickness x (line a).
4. Determine η from values of B (from Figure 4.14.5) and α (line b).

The value of η thus determined is valid for vertically mounted symmetrical square or round fins (with $H \gg d$) in still air. For other conditions, η must be modified as follows:

Horizontal mounting – multiply h_c by 0.7.

Horizontal mounting where only one side is effective – multiply η by 0.5 and h_c by 0.94.

For 2:1 rectangular fins – multiply h by 0.8.

For non-symmetrical fins where the IC is mounted at the bottom of a vertical fin – multiply η by 0.7.

Fin Design

1. Establish initial conditions, T_A and desired θ_{SA} as determined in Section 4.14.5.
2. Determine T_S at contact point with the IC by rewriting Equation (4.14.1):

$$\theta_{JL} + \theta_{LS} = \frac{T_J - T_S}{P_D} \quad (4.14.8)$$

$$T_S = T_J - (\theta_{JL} + \theta_{LS}) (P_D) \quad (4.14.9)$$

$$\approx T_J - \theta_{JL} P_D$$

3. Select fin thickness, $x > 0.0625''$ and fin height, H.
4. Determine h_c and h_r from Equations (4.14.6) and (4.14.7).
5. Find fin effectiveness factor η from Figure 4.14.6.
6. Calculate θ_{SA} from Equation (4.14.5).
7. If θ_{SA} is too large or unnecessarily small, choose a different height and repeat steps (3) through (6).

Design Example

Design a symmetrical square vertical fin of black anodized 1/16" thick aluminum to have a thermal resistance of 4°C/W . LM379 operating conditions are:

1. $T_J = 150^\circ\text{C}$, $T_A = 60^\circ\text{C}$, $P_D = 9.5\text{W}$, $\theta_{JL} = 6^\circ\text{C/W}$, neglect θ_{LS} .
2. $T_S = 150^\circ\text{C} - 6^\circ\text{C/W} (9.5\text{W}) = 93^\circ\text{C}$.
3. $x = 0.0625''$ from initial conditions. E = 0.9 from Table 4.14.2.

Select $H = 3.5''$ for first trial (experience will simplify this step).

$$4. \quad h_c = 2.21 \times 10^{-3} \left(\frac{93 - 60}{3.5} \right)^{1/4}$$

$$= 3.86 \times 10^{-3} \text{ W/in}^2\text{ } ^\circ\text{C}$$

$$h_r = 1.47 \times 10^{-10} \times 0.9 \left(\frac{93 + 60}{2} + 273 \right)^3$$

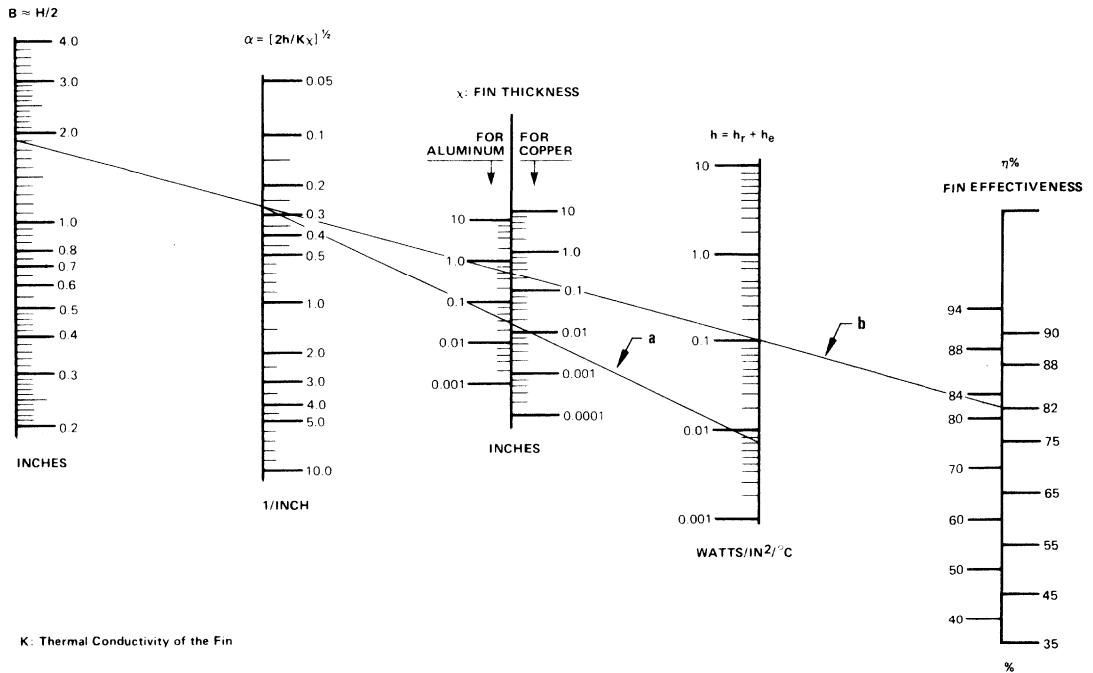


FIGURE 4.14.6 Fin Effectiveness Nomogram for Symmetrical, Flat, Uniformly-Thick, Vertically Mounted Fins

$$= 5.6 \times 10^{-3} \text{W}/^\circ\text{C in}^2$$

$$h = h_c + h_r = 9.46 \times 10^{-3} \text{W}/^\circ\text{C in}^2$$

5. $\eta = 0.84$ from figure 4.14.6.

6. $\theta_{SA} = \frac{10^3}{2 \times 12.3 \times 0.84 \times 9.46} = 5.1^\circ\text{C}/\text{W}$,

which is too large.

7. A larger fin is required, probably by about 40% in area. Accordingly, using a fin of 4.25" square, a new calculation is made.

4'. $h_c = 2.21 \times 10^{-3} \left(\frac{33}{4.2} \right)^{1/4} = 3.7 \times 10^{-3}$

$h_r = 5.6 \times 10^{-3}$ as before

$h = 9.3 \times 10^{-3}$

5'. $\eta = 0.75$ from Figure 4.14.6.

6. $\theta_{SA} = \frac{10^3}{2 \times 18 \times 0.75 \times 9.3} = 3.98^\circ\text{C}/\text{W}$,

which is satisfactory.

4.14.7 Heatsinking with PC Board Foil

National Semiconductor's use of copper leadframes in packaging power ICs, where the center three pins on either side of the device are used for heatsinking, allows for economical heat sinks via the copper foil that exists on the printed circuit board. Adequate heatsinking may be obtained for many designs from single-sided boards constructed with 2 oz. copper. Other, more stringent, designs may require two-sided boards, where the top side is used entirely for heatsinking. Figure 4.14.7 allows easy design of PC board heat sinks once the desired thermal resistance has been calculated from Section 4.14.5.

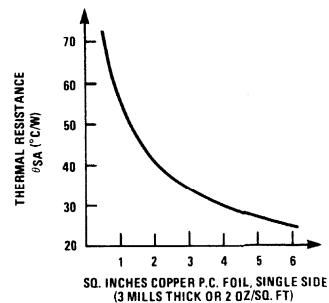
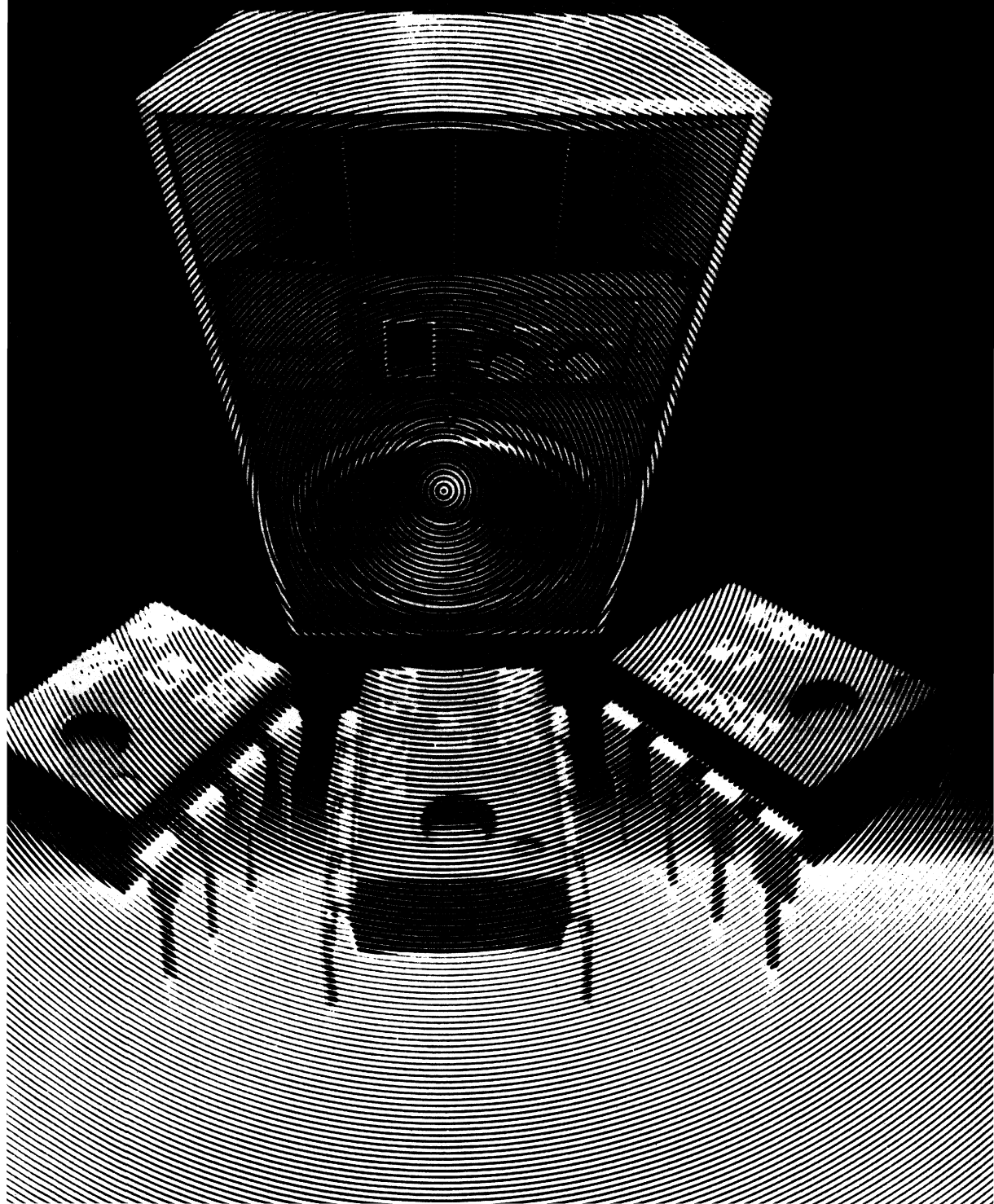


FIGURE 4.14.7 Thermal Resistance vs. Square Inches of Copper Foil

Section 5.0 Floobydust



5.0 Floobydust



5.1 BIAMPLIFICATION

The most common method of amplifying the output of a preamplifier into the large signal required to drive a speaker system is with one large wideband amplifier having a flat frequency response over the entire audio band. An alternate method is to employ two amplifiers, or biampification, where each amplifier is committed to amplifying only one part of the frequency spectrum. Biamping requires splitting up the audio band into two sections and routing these signals to each amplifier. This process is accomplished by using an active crossover network as discussed in the next section.

The most common application of biamping is found in conjunction with speaker systems. Due to the difficulty of manufacturing a single speaker capable of reproducing the entire audio band, multiple speakers are used, where each speaker is designed only to reproduce one section of frequencies. In conventional systems using one power amplifier the separation of the audio signal is done by passive high and low pass filters located within the speaker enclosure as diagrammed in Figure 5.1.1. These filters must be capable of processing high power signals and are therefore troublesome to design, requiring large inductors and capacitors.

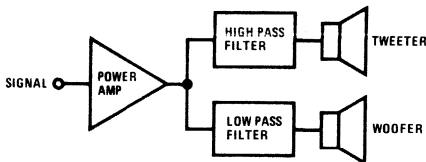


FIGURE 5.1.1 Passive Crossover, Single Amp System

Biamping with active crossover networks (Figure 5.1.2) allows a more flexible and easier design. It also sounds better. Listening tests demonstrate that biamped systems have audibly lower distortion.⁴ This is due chiefly to two

effects. The first results from the consequence of bass transient clipping. Low frequency signals tend to have much higher transient amplitudes than do high frequencies, so amplifier overloading normally occurs for bass signals. By separating the spectrum one immediately cleans up half of it and greatly improves the other half, in that the low frequency speaker will not allow high frequency components generated by transient clipping of the bass amplifier to pass, resulting in cleaner sound. Second is a high frequency masking effect, where the low level high frequency distortion components of a clipped low frequency signal are "covered up" (i.e., masked) by high level undistorted high frequencies. The final advantage of biamping is allowing the use of smaller power amplifiers to achieve the same sound pressure levels.

5.2 ACTIVE CROSSOVER NETWORKS

An active crossover network is a system of active filters (usually two) used to divide the audio frequency band into separate sections for individual signal processing by biamped systems. Active crossovers are audibly desirable because they give better speaker damping and improved transient response, and minimize midrange modulation distortion.

5.2.1 Filter Choice

The choice of filter type is based upon the need for good transient and frequency response. Bessel filters offer excellent phase and transient response but suffer from frequency response change in the crossover region, being too slow for easy speaker reproduction. Chebyshev filters have excellent frequency division but possess unacceptable instabilities in their transient response. Butterworth characteristics fall between Bessel and Chebyshev and offer the best compromise for active crossover design.

5.2.2 Number of Poles (Filter Order)

Intuitively it is reasonable that if the audio spectrum is split into two sections, their sum should exactly equal the original signal, i.e., without change in phase or magnitude (vector sum must equal unity). This is known as a constant voltage design. Also it is reasonable to want the same power delivered to each of the drivers (speakers). This is known as constant power design. What is required, therefore, is a filter that exhibits constant voltage and constant power. Having decided upon a Butterworth filter, it remains to

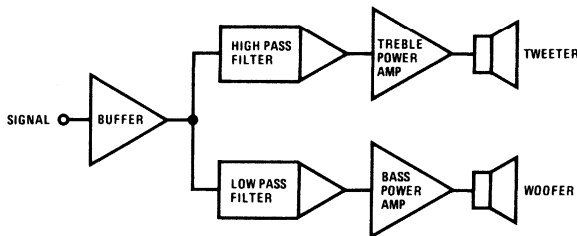


FIGURE 5.1.2 Active Crossover, Biamp System

determine an optimum order of the filter (the number of poles found in its transfer function) satisfying constant voltage and constant power.

Both active and passive realizations of a Butterworth filter have identical transfer functions, so a good place to start is with conventional passive crossover networks. Passive crossovers exhibit a single pole (1st order) response and have a transfer function given by Equations (5.2.1) and (5.2.2) (normalized to $\omega_0 = 1$).

$$T_L(S) = \frac{1}{S + 1} \quad (5.2.1)$$

$$T_H(S) = \frac{S}{S + 1} \quad (5.2.2)$$

where $T_L(S)$ equals low pass transfer function and $T_H(S)$ equals high pass transfer function. This filter exhibits constant voltage (hence, constant power) as follows:

$$\text{require } T_L(S) + T_H(S) = 1 \quad (5.2.3)$$

Inspection of Equations (5.2.1) and (5.2.2) shows this to be true.

The problem with a single pole system is that the rolloff beyond the crossover point is only -6dB/octave and requires the speakers to operate linearly for two additional octaves if distortion is to be avoided.⁶

The 2nd order system exhibits transfer functions:

$$T_L(S) = \frac{1}{S^2 + \sqrt{2}S + 1} \quad (5.2.4)$$

$$T_H(S) = \frac{S^2}{S^2 + \sqrt{2}S + 1} \quad (5.2.5)$$

These transfer functions exhibit constant power but not constant voltage. This is demonstrated by applying Equation (5.2.3), yielding:

$$T_L(S) + T_H(S) = \frac{S^2 + 1}{S^2 + \sqrt{2}S + 1} \quad (5.2.6)$$

At crossover, $S = -j\omega_0 = -j$ (since $\omega_0 = 1$); substitution into Equation (5.2.6) equals zero. This means that at the crossover frequency there exists a "hole," or a frequency that is not reproduced by either speaker. Ashley¹ demonstrated that this hole is audible. A commonly seen solution to this problem is to invert the polarity of one speaker in the system. Mathematically this changes the sign of the transfer function and effectively subtracts the two terms rather than adds them. This does eliminate the hole, but it creates a new problem of severe phase shifting at the crossover point which Ashley also demonstrated to be audible, making consideration of 3rd order Butterworth filters necessary.

The transfer functions for 3 pole Butterworth filters are given as Equations (5.2.7) and (5.2.8).

$$T_L(S) = \frac{1}{S^3 + 2S^2 + 2S + 1} \quad (5.2.7)$$

$$T_H(S) = \frac{S^3}{S^3 + 2S^2 + 2S + 1} \quad (5.2.8)$$

Applying Equation (5.2.3) yields:

$$T_L(S) + T_H(S) = \frac{S^3 + 1}{S^3 + 2S^2 + 2S + 1} \quad (5.2.9)$$

which at $S = -j\omega_0$ gives

$$T_L(-j\omega_0) + T_H(-j\omega_0) = -1 \quad (5.2.10)$$

Equation (5.2.9) shows that there is a gradual phase shift power with one nagging annoyance — the phase has been inverted. Examination of the phase characteristics of Equation (5.2.9) shows that there is a gradual phase shift from 0° to -360° as the frequency is swept through the filter sections, being -180° at ω_0 . Is it audible? Ashley² demonstrated that the ear cannot detect this gradual phase shift when it is not accompanied by ripple in the magnitude characteristic. (It turns out that all odd ordered Butterworth filters exhibit this effect with increasing amounts of phase shift, e.g., 5th order gives 0 to -720° , etc.)

The conclusion is that the best compromise is to use a 3rd order Butterworth filter. It will exhibit maximally flat magnitude response, i.e., no peaking (which minimizes the work required by the speakers); it has sharp cutoff characteristics of -18dB/octave (which minimizes speakers being required to reproduce beyond the crossover point); and it has flat voltage and power frequency response with a gradual change in phase across the band.

5.2.3 Design Procedure for 3rd Order Butterworth Active Crossovers

Many circuit topologies are possible to yield a 3rd order Butterworth response. Out of these the infinite-gain, multiple-feedback approach offers the best tradeoffs in circuit complexity, component spread and sensitivities. Figure 5.2.1 shows the general admittance form for any 3rd order active filter. The general transfer function is given by Equation (5.2.11).

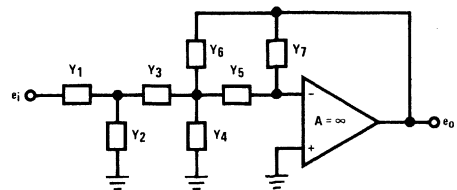


FIGURE 5.2.1 General Admittance Form for 3rd Order Filter

By substituting resistors and capacitors for the admittances per Figures 5.2.2 and 5.2.3, low and high pass active filters are created.

$$\frac{e_o}{e_i} = \frac{Y_1 Y_3 Y_5}{(Y_5 Y_6 + Y_3 Y_7 + Y_4 Y_7 + Y_5 Y_7 + Y_6 Y_7)(Y_1 + Y_2 + Y_3) - Y_7 Y_3^2} \quad (5.2.11)$$

Low Pass:

$$\frac{e_{oL}}{e_i} = \frac{1}{s^3 + \left(\frac{R_5 R_6 + R_3 R_6 + R_3 R_5}{R_3 R_5 R_6 C_4} + \frac{R_1 + R_3}{R_1 R_3 C_2} \right) s^2 + \left(\frac{1}{R_5 R_6 C_4 C_7} + \frac{R_5 R_6 + R_3 R_6 + R_3 R_5 + R_1 R_5 + R_1 R_6}{R_1 R_3 R_5 R_6 C_2 C_4} \right) s + \frac{R_1 + R_3}{R_1 R_3 R_5 R_6 C_2 C_4 C_7}} \quad (5.2.12)$$

High Pass:

$$\frac{e_{oH}}{e_i} = \frac{C_1 C_3}{C_6 (C_1 + C_3)} \frac{s^3}{s^3 + \left(\frac{C_1 (C_3 + C_5 + C_6) + C_3 (C_5 + C_6)}{R_7 C_5 C_6 (C_1 + C_3)} + \frac{1}{(C_1 + C_3) R_2} \right) s^2 + \left(\frac{1}{C_5 C_6 R_4 R_7} + \frac{C_3 + C_5 + C_6}{C_5 C_6 (C_1 + C_3) R_2 R_7} \right) s + \frac{1}{C_5 C_6 (C_1 + C_3) R_2 R_4 R_7}} \quad (5.2.13)$$

Substitution of the appropriate admittances shown in Figures 5.2.2 and 5.2.3 into Equation 5.2.11 gives the general equation for a 3rd order low pass (Equation (5.2.12)) and for a 3rd order high pass (Equation (5.2.13)):

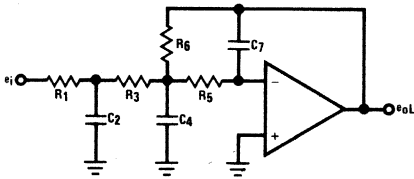


FIGURE 5.2.2 General 3rd Order Low Pass Active Filter

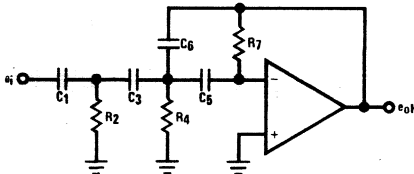


FIGURE 5.2.3 General 3rd Order High Pass Active Filter

Equation (5.2.12) is of form

$$\frac{K \omega_o^3}{s^3 + a s^2 + b s + \omega_o^3}$$

where: K = passband gain = 1

Letting $a = b = 2$ and normalizing $\omega_o^3 = 1$ gives the 3rd order Butterworth response of Equation (5.2.7).

Similarly, Equation (5.2.13) is of form

$$\frac{K s^3}{s^3 + a s^2 + b s + \omega_o^3}$$

and corresponds to Equation (5.2.8).

By letting $R_1 = R_3 = R_5 = R$ and $R_6 = 2R$ and equating coefficients between Equations (5.2.12) and (5.2.7), it is possible to solve for the capacitor values in terms of R . Doing so yields the relationships shown in Figure 5.2.4. For the high pass section, let $C_1 = C_3 = C_5 = C$ and $C_6 = C/2$ and equate coefficients to get the resistor values in terms of C . The high pass results also appear in Figure 5.2.4, which shows the complete 3rd order Butterworth crossover network.

Example 5.2.1

Design an active crossover network with -18 dB/octave rolloff (3rd order), maximally flat (Butterworth) characteristics having an input impedance of $20 \text{ k}\Omega$ and a crossover frequency equal to 500 Hz .

1. Select R for low pass section to set the required input impedance:

$$\text{let: } R = 10 \text{ K (1\%)}$$

$$\text{for } R_{IN} = 20 \text{ K, since } R_{IN} = 2R, \text{ then } 2R = 20 \text{ K} = 1\%.$$

2. Calculate C_2 , C_4 and C_7 from Figure 5.2.4:

$$C_2 = \frac{2.4553}{(2\pi)(500)(10 \text{ K})} = 7.82 \times 10^{-8}$$

$$\text{Use } C_2 = 0.082 \mu\text{F, 2\%}.$$

$$C_4 = \frac{2.1089}{(2\pi)(500)(10 \text{ K})} = 6.71 \times 10^{-8}$$

$$\text{Use } C_4 = 0.068 \mu\text{F, 2\%}.$$

$$C_7 = \frac{0.1931}{(2\pi)(500)(10 \text{ K})} = 6.51 \times 10^{-9}$$

$$\text{Use } C_7 = 0.0056 \mu\text{F, 2\%}.$$

3. Select C for high pass section to have same impedance level as R_{IN} for low pass, i.e., 20 K ohms :

$$C = \frac{1}{(2\pi)(500)(20 \text{ K})} = 1.592 \times 10^{-8}$$

$$\text{Use } C = 0.015 \mu\text{F, 2\%, and use } C/2 = 0.0082 \mu\text{F, 2\%}.$$

5

4. Calculate R_2 , R_4 and R_7 from Figure 5.2.4:

$$R_2 = \frac{0.4074}{(2\pi)(500)(1.592 \times 10^{-8})} = 8148$$

Use $R_2 = 8.06\text{K}$, 1%.

$$R_4 = \frac{0.4742}{(2\pi)(500)(1.592 \times 10^{-8})} = 9484$$

Use $R_4 = 9.53\text{K}$, 1%.

$$R_7 = \frac{5.1766}{(2\pi)(500)(1.592 \times 10^{-8})} = 103532$$

Use $R_7 = 102\text{K}$, 1%.

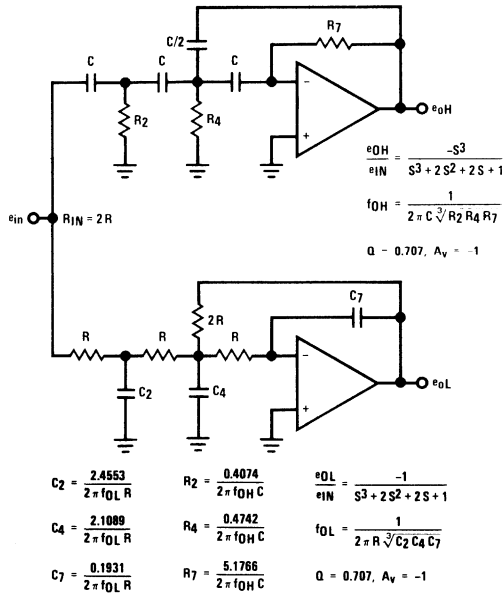


FIGURE 5.2.4 Complete 3rd Order Butterworth Crossover Network

The completed design is shown in Figure 5.2.5 using LF356 op amps for the active devices. LF356 devices were chosen for their very high input impedances, fast slew and extremely stable operation into capacitive loads. A buffer is used to drive the crossover network for two reasons: it guarantees low driving impedance which active filters require, and it gives another phase inversion so that the outputs are in phase with the inputs. Power supplies are $\pm 15\text{V}$, decoupled with 0.1 ceramic capacitors located close to the integrated circuits (not shown). Figure 5.2.6 gives the frequency response of Figure 5.2.5.

Figure 5.2.7 can be used to "look up" values for standard crossover frequencies of 100Hz to 5kHz.

5.2.4 Alternate Design for Active Crossovers

The example of Figure 5.2.5 is known as a symmetrical filter since both high and low pass sections are symmetrical about the crossover point (see Figure 5.2.6). An interesting alternate design is known as the asymmetrical filter (since the high and low pass sections are asymmetrical about the crossover point). This design is based upon the simple realization that if the output of a high pass filter is subtracted from the original signal then the result is a low pass.³ Constant voltage is assured since the sum of low and high pass are always equal to unity (with no phase funnies). But, as always, there are tradeoffs and this time they are not obvious.

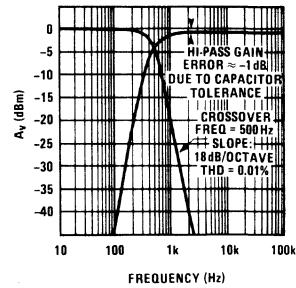


FIGURE 5.2.6 Active Crossover Frequency Response for Typical Example of Figure 5.2.5

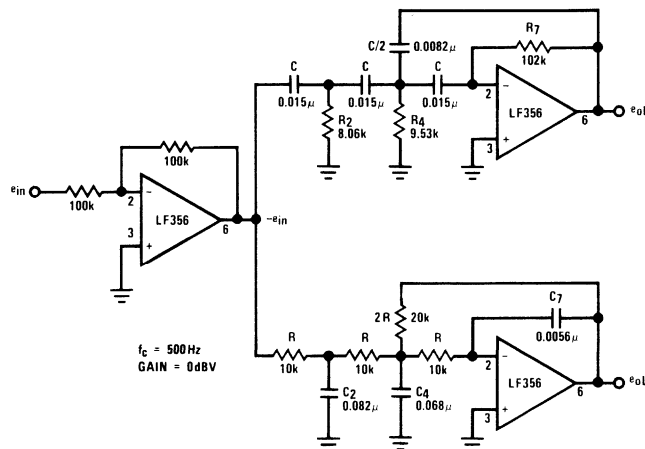


FIGURE 5.2.5 Typical Active Crossover Network Example

f_c Hz	C μF	R ₂ Ω	R ₄ Ω	R ₇ Ω	C ₂ μF	C ₄ μF	C ₇ μF
100	0.080	8148	9484	103532	0.391	0.336	0.0307
200	0.040	↓	↓	↓	0.195	0.168	0.0154
300	0.027				0.130	0.112	0.0102
400	0.020				0.0977	0.0839	0.00768
500	0.016				0.0782	0.0671	0.00615
600	0.013				0.0651	0.0559	0.00512
700	0.011				0.0558	0.0479	0.00439
800	0.010				0.0488	0.0420	0.00384
900	0.0088				0.0434	0.0373	0.00341
1k	0.008				0.0391	0.0336	0.00307
2k	0.004				0.0195	0.0168	0.00154
3k	0.0027	0.0130	0.0112	0.00102			
4k	0.002	0.00977	0.00839	0.000768			
5k	0.0016	0.00782	0.00671	0.000615			

* Assumes $R = 10k$, $2R = 20k$ for $R_{in} = 20k\Omega$.

FIGURE 5.2.7 Precomputed Values for Active Crossover Circuit Shown in Figure 5.2.4 (Use nearest available value.)

Referring back to Equation (5.2.8) for the transfer function of a 3rd order high pass and subtracting it from the original signal yields the following:

$$T_L(S) = 1 - T_H(S) \quad (5.2.14)$$

$$T_L(S) = 1 - \frac{S^3}{S^3 + 2S^2 + 2S + 1}$$

$$T_L(S) = \frac{2S^2 + 2S + 1}{S^3 + 2S^2 + 2S + 1} \quad (5.2.15)$$

Analysis of Equation (5.2.15) shows it has two zeros and three poles. The two zeros are in close proximity to two of the poles and near cancellation occurs. The net result is a low pass filter that exhibits only $-6dB$ rolloff and rather severe peaking ($\sim +4dB$) at the crossover point. For low frequency drivers with extended frequency response, this is an attractive design offering lower parts count, easy adjustment, no crossover hole and without gradual phase shift.

Figure 5.2.8 shows the circuit design for an asymmetrical filter, and Figure 5.2.9 gives its frequency response.

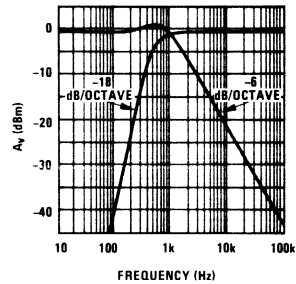


FIGURE 5.2.9 Frequency Response of Asymmetrical Filter Shown in Figure 5.2.8

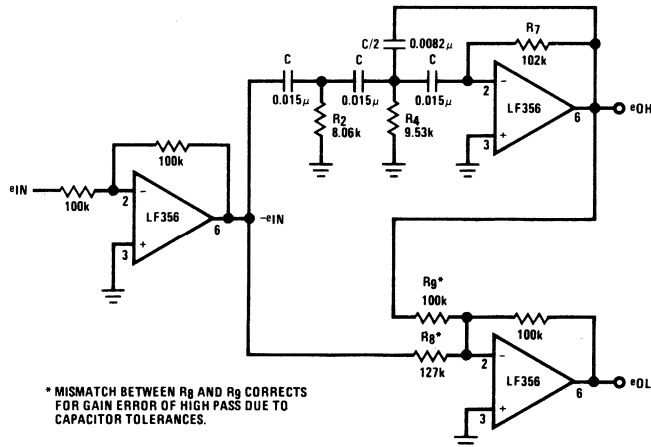


FIGURE 5.2.8 Asymmetrical 3rd Order Butterworth Active Crossover Network

5.2.5 Use of Crossover Networks and Biamping

Symbolically, Figure 5.2.5 can be represented as shown in Figure 5.2.10:

Figures 5.2.11-5.2.14 use Figure 5.2.10 to show several speaker systems employing active crossover networks and biamping.

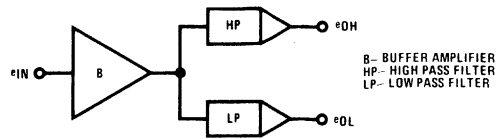


FIGURE 5.2.10 Symbolic Representation of Figure 5.2.5

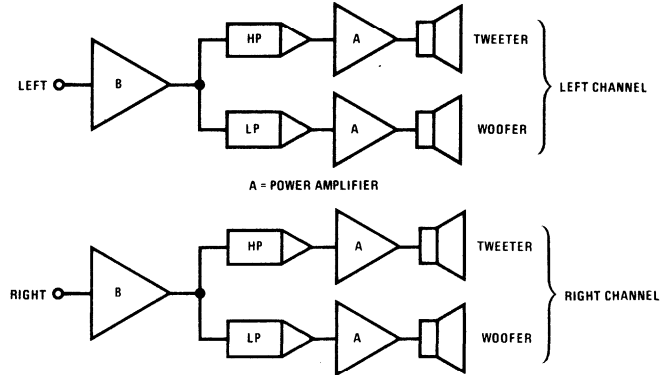


FIGURE 5.2.11 Stereo 2-Way System (Typical crossover points from 800 to 1600Hz)

Cascading low pass (LP) and high pass (HP) active filters creates a bandpass and allows system triamping as follows:

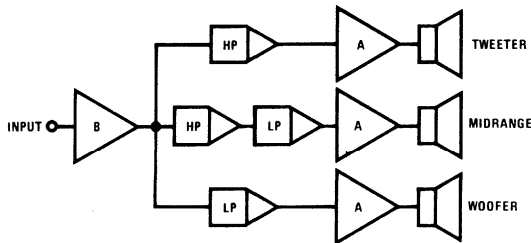


FIGURE 5.2.12 Single Channel 3-Way System
(Duplicate for Stereo)
(Typical crossover points: LP = 200 Hz, HP = 1200 Hz)

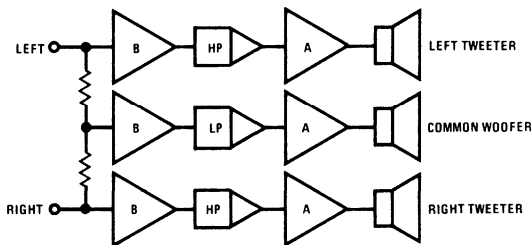


FIGURE 5.2.13 Common Woofer 2-Way Stereo System⁵
(Stereo-to-mono crossover point typically 150 Hz)

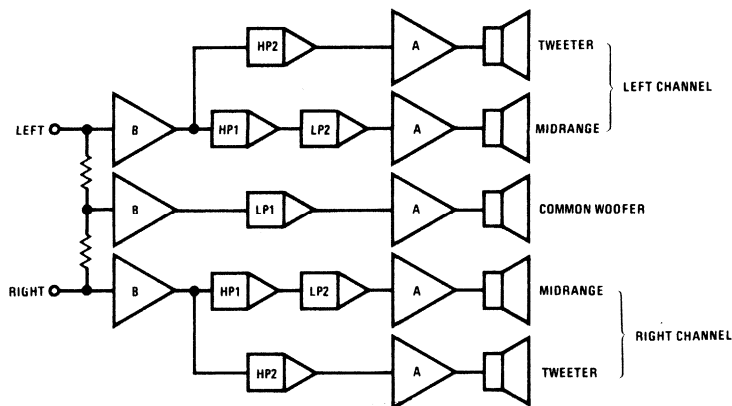


FIGURE 5.2.14 Common Woofer 3-Way Stereo System (Typically LP1 = HP1 = 150 Hz, LP2 = HP2 = 2500 Hz)

REFERENCES

1. Ashley, J. R., "On the Transient Response of Ideal Crossover Networks," *Jour. Aud. Eng. Soc.*, vol. 10, no. 3, July 1962, pp. 241-244.
2. Ashley, J. R. and Henne, L. M., "Operational Amplifier Implementation of Ideal Electronic Crossover Networks," *Jour. Aud. Eng. Soc.*, vol. 19, no. 1, January 1971, pp. 7-11.
3. Ashley, J. R. and Kaminsky, A. L., "Active and Passive Filters as Loudspeaker Crossover Networks," *Jour. Aud. Eng. Soc.*, vol. 19, no. 6, June 1971, pp. 494-501.
4. Lovda, J. M. and Muchow, S., "Bi-Amplification — Power vs. Program Material vs. Crossover Frequency," *AUDIO*, vol. 59, no. 9, September 1975, pp. 20-28.
5. Read, D. C., "Active Crossover Networks," *Wireless World*, vol. 80, no. 1467, November 1974, pp. 443-448.
6. Small, R. H., "Constant-Voltage Crossover Network Design," *Jour. Aud. Eng. Soc.*, vol. 19, no. 1, January 1971, pp. 12-19.

5.3 REVERBERATION

Reverberation is the name applied to the echo effect associated with a sound after it has stopped being generated. It is due to the reflection and re-reflection of the sound off the walls, floor and ceiling of a listening environment and under certain conditions will act to enhance the sound. It is the main ingredient of concert hall ambient sound and accounts for the richness of "live" versus "canned" music. By using electro-mechanical devices, it is possible to add artificial reverberation to existing music systems and enhance their performance. The most common reverberation units use two precise springs that act as mechanical delay lines, each delaying the audio signal at slightly different rates. (Typical delay times are ~ 30 milliseconds for one spring and ~ 40 milliseconds for the other, with total decay times being around 2 seconds.) The electrical signal is applied to the input transducer where it is translated into a torsional force via two small cylindrical magnets attached to the springs. This "twisting" of one end of each

spring slowly propagates along the length of the unit until it arrives at the other end, where similar magnets convert it back into an electrical signal. (Reflection also occurs, which creates the long decay time, relative to the delay time.)

5.3.1 Design Considerations for Driver and Recovery Amplifiers

Since the reverb driver is applying an electrical signal to a coil, its load is essentially inductive and as such has a rising impedance vs. frequency characteristic of +6dB/octave. Further, since the spring assembly operates best at a fixed value of ampere/turns (independent of frequency), it becomes desirable to drive the transducer with constant current. Constant current can be achieved in two ways: (1) by incorporating the input transducer as part of the negative feedback network, or (2) by creating a rising output voltage response as a function of frequency to follow the corresponding rise in output impedance. Method (1) precludes the use of grounded input transducers, which tend to be quieter and less susceptible to noise transients. (While grounded load, constant current sources exist, they require more parts to implement.) For this reason method (2) is preferred and will be used as a typical design example.

A high slew rate (~ 2V/ μ s) amplifier should be used since the rising amplitude characteristic necessitates full output swing at the maximum frequency of interest (typical spring assemblies have a frequency response of 100Hz-5kHz), thereby allowing enough headroom to prevent transient clipping. It is also advisable to roll the amplifier off at high frequencies as a further aid in headroom. "Booming" at low frequencies is controlled by rolling off low frequencies below 100Hz.

The requirements of the recovery amplifier are determined by the recovered signal. Typical voltage levels at the transducer output are in the range of 1-5mV, therefore requiring a low noise, high gain preamp. Hum and noise need to be minimized by using shielding cable, mounting the reverb assembly and preamp away from the power supply transformer, and using good single point ground techniques to avoid ground loops. Equalization is not necessary if a constant current drive amplifier is used since the output voltage is constant with frequency.

5

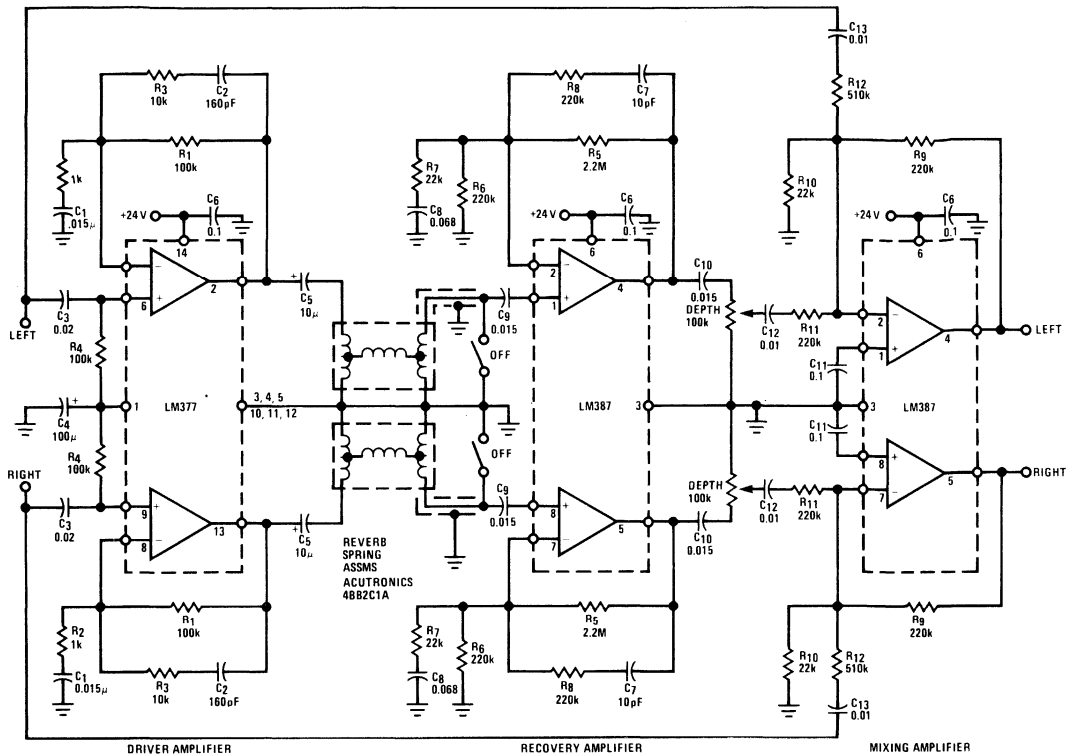


FIGURE 5.3.1 Stereo Reverb System

5.3.2 Stereo Reverb System

A complete stereo reverb system is shown in Figure 5.3.1, with its idealized "straightline" frequency response appearing as Figure 5.3.2.

The LM377 dual power amplifier is used as the spring driver because of its ability to deliver large currents into inductive loads. Some reverb assemblies have input transducer impedance as low as 8Ω and require drive currents of $\sim 30\text{mA}$. (There is a preference among certain users of reverbs to drive the inputs with as much as several hundred milliamps.) The recovery amplifier is easily done by using the LM387 low noise dual preamplifier which gives better than 75dB signal-to-noise performance at 1kHz (10mV recovered signal). Mixing of the delayed signal with the original is done with another LM387 used in an inverting summing configuration.

Figure 5.3.2 shows the desired frequency shaping for the driver and recovery amplifiers. The overall low frequency response is set by f_0 and occurs when the reactance of the coupling capacitors equals the input impedance of the next stage. For example, the driver stage low frequency corner f_0 is found from Equation (5.3.1).

$$f_0 = \frac{1}{2\pi R_4 C_3} \approx 80\text{Hz (as shown)} \quad (5.3.1)$$

The +6dB/octave response is achieved by proper selection of R_1 , R_2 and C_1 as follows:

$$f_1 = \frac{1}{2\pi (R_1 + R_2) C_1} \approx 100\text{Hz (as shown)} \quad (5.3.2)$$

$$f_2 = \frac{1}{2\pi R_2 C_1} \approx 10\text{kHz (as shown)} \quad (5.3.3)$$

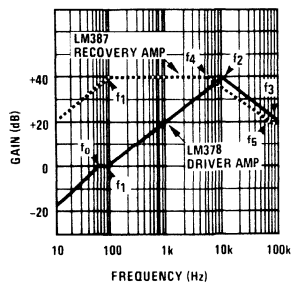


FIGURE 5.3.2 Straightline Frequency Response of Reverb Driver and Recovery Amplifiers

Ultimate gain is given by the ratio of R_2 and R_1 :

$$A_0 = 1 + \frac{R_2}{R_1} \quad (\text{gain beyond } f_2 \text{ corner}) \quad (5.3.4)$$

High frequency rolloff is accomplished with R_3 and C_2 , beginning at f_2 and stopping at f_3 .

$$f_2 = \frac{1}{2\pi R_1 C_2} \approx 10 \text{ kHz (as shown)} \quad (5.3.5)$$

$$f_3 = \frac{1}{2\pi R_3 C_2} \approx 100 \text{ kHz (as shown)} \quad (5.3.6)$$

Stopping high frequency rolloff at f_3 is necessary so the gain of the amplifier does not drop lower than 20dB, thereby preserving stability. (LM377 is not unity gain stable.) Resistors R_5 and R_6 are selected to bias the output of the LM387 at half-supply. (See Section 2.8.) Low frequency corner f_1 is fixed by R_7 and C_8 :

$$f_1 = \frac{1}{2\pi R_7 C_8} \approx 100 \text{ Hz (as shown)} \quad (5.3.7)$$

High frequency rolloff is done similar to the LM377 by R_8 and C_7 :

$$f_4 = \frac{1}{2\pi R_5 C_7} \approx 7 \text{ kHz (as shown)} \quad (5.3.8)$$

$$f_5 = \frac{1}{2\pi R_8 C_7} \approx 70 \text{ kHz (as shown)} \quad (5.3.9)$$

The same stability requirements hold for the LM387 as for the LM377.

Resistors R_9 and R_{10} are used to bias the LM387 summing amplifier. The output of the summer will be the scaled

sum of the original signal and the delayed signal. Scaling factors are adjusted per Equation (5.3.10).

$$-V_{OUT} = \frac{R_9}{R_{12}} V_S + \frac{R_9}{R_{11}} V_D \quad (5.3.10)$$

where: V_S = original signal

V_D = delayed signal

As shown, the output is the sum of approximately one half of the original signal and all of the delayed signal.

5.3.3 Stereo Reverb Enhancement System

The system shown in Figure 5.3.3 can be used to synthesize a stereo effect from a monaural source such as AM radio or FM-mono broadcast, or it can be added to an existing stereo (or quad) system where it produces an exciting "opening up" spacial effect that is truly impressive.

The driver and recovery sections are as in Figure 5.3.1 with the exception that only one spring assembly is required. The second half of the LM387 recovery amplifier is used as an inverter and a new LM387 is added to mix both channels together. The outputs are inverted, scaled sums of the original and delayed signals such that the left output is composed of LEFT minus DELAY and the right output is composed of RIGHT plus DELAY.

When applied to mono source material, both inputs are tied together and the two outputs become INPUT minus DELAY and INPUT plus DELAY, respectively. If the outputs are to be used to drive speakers directly (as in an automotive application, or small home systems), then the LM387 may be replaced by one of the LM377/378/379 dual 2W/4W/6W amplifier family wired as an inverting power summer per Figure 5.3.4.

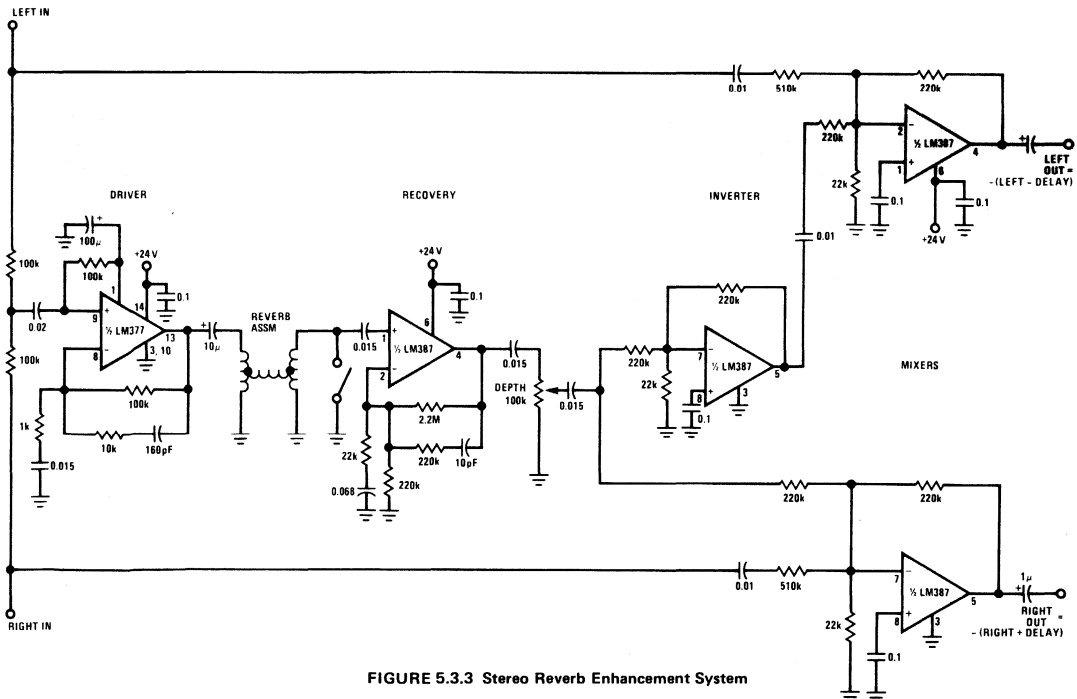


FIGURE 5.3.3 Stereo Reverb Enhancement System



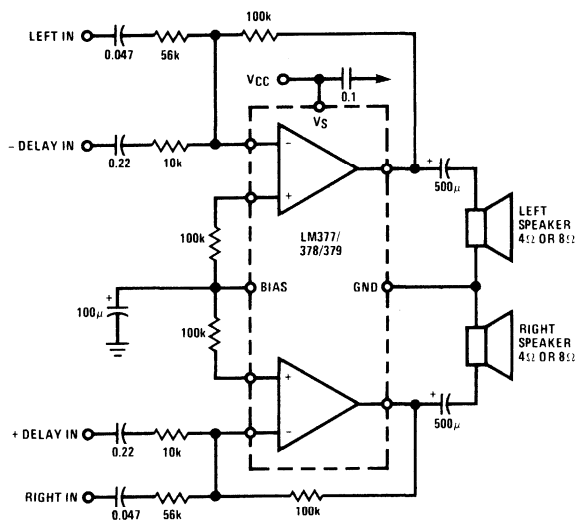


FIGURE 5.3.4 Alternate Output Stage for Driving Speakers Directly Using LM377/378/379 Family of Power Amplifiers

REFERENCES

1. "Application of Accutronic's Reverberation Devices," Technical paper available from Accutronics, Geneva, Ill.
2. "What Is Reverberation?," Technical paper available from Accutronics, Geneva, Ill.

5.4 PHASE SHIFTER

A popular musical instrument special effect circuit called a "phase shifter" can be designed with minimum parts by using two quad op amps, two quad JFET devices and one LM741 op amp (Figure 5.4.1). The sound effect produced is similar to a rotating speaker, or Doppler phase shift characteristic, giving a whirling, ethereal, "inside out" type of sound. The method used by recording studios is called "flanging," where two tape recorders playing the same material are summed together while varying the speed of one by pressing on the tape reel "flange." The time delay introduced will cause some signals to be summed out of phase and cancellation will occur. This phase cancellation produces the special effect and when viewed in the frequency domain is akin to a comb filter with variable rejection frequencies.¹ The phase shift stage used (Figure 5.4.1) is a standard configuration² displaying constant

magnitude and a varying phase shift of 0-180° as a function of the resistance between the positive input and ground. Each stage shifts 90° at the frequency given by $1/(2\pi RC)$, where C is the positive input capacitor and R is the resistance to ground. Six phase shift stages are used, each spaced one octave apart, distributed about the center of the audio spectrum (160Hz-3.2kHz). JFETs are used to shift the frequency at which there is 90° delay by using them as voltage adjustable resistors. As shown, the resistance varies from 100Ω (FET full ON) to 10kΩ (FET full OFF), allowing a wide variation of frequency shift (relative to the 90° phase shift point). The gate voltage is adjusted from 5V to 8V (optimum for the AM9709CN), either manually (via foot operated rheostat) or automatically by the LM741 triangle wave generator. Rate is adjustable from as slow as 0.05Hz to a maximum of 5Hz. The output of the phase shift stages is proportionally summed back with the input in the output summing stage.

REFERENCES

1. Bartlett, B., "A Scientific Explanation of Phasing (Flanging)," *Jour. Aud. Eng. Soc.*, vol. 18, no. 6, December 1970, pp. 674-675.
2. Graeme, J. G., *Applications of Operational Amplifiers*, McGraw-Hill, New York, 1973, pp. 102-104.

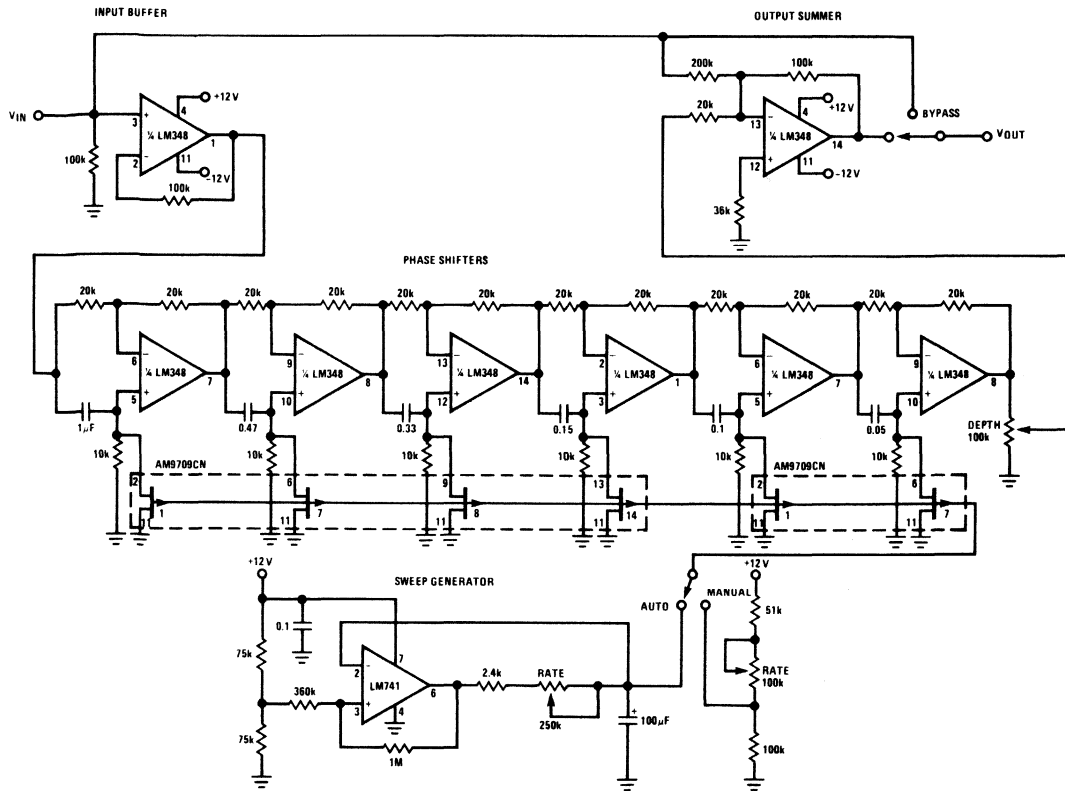


FIGURE 5.4.1 Phase Shifter

5.5 FUZZ

Two diodes in the feedback of a LM324 create the musical instrument effect known as "fuzz" (Figure 5.5.1). The

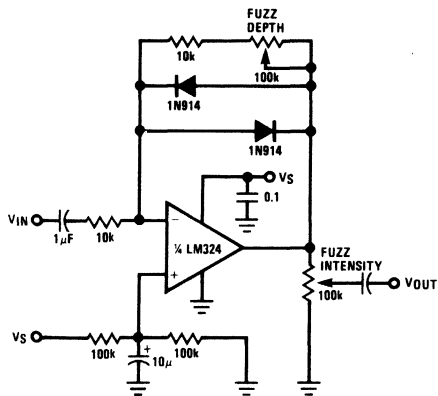


FIGURE 5.5.1 Fuzz Circuit

diodes limit the output swing to $\pm 0.7V$ by clipping the output waveform. The resultant square wave contains predominantly odd-ordered harmonics and sounds similar to a clarinet. The level at which clipping begins is controlled by the Fuzz Depth pot while the output level is determined by Fuzz Intensity.

5.6 TREMOLO

Tremolo is amplitude modulation of the incoming signal by a low frequency oscillator. A phase shift oscillator (Figure 5.6.1) using the LM324 operates at an adjustable rate (5-10Hz) set by the SPEED pot. A portion of the oscillator output is taken from the DEPTH pot and used to modulate the "ON" resistance of two 1N914 diodes operating as voltage controlled attenuators. Care must be taken to restrict the incoming signal level to less than $0.6V_{p-p}$ or undesirable clipping will occur. (For signals greater than $25mV$, THD will be high but is usually acceptable. Applications requiring low THD require the use of a light detecting resistor (LDR) or a voltage-controlled gain block. See Figure 4.8.9.)

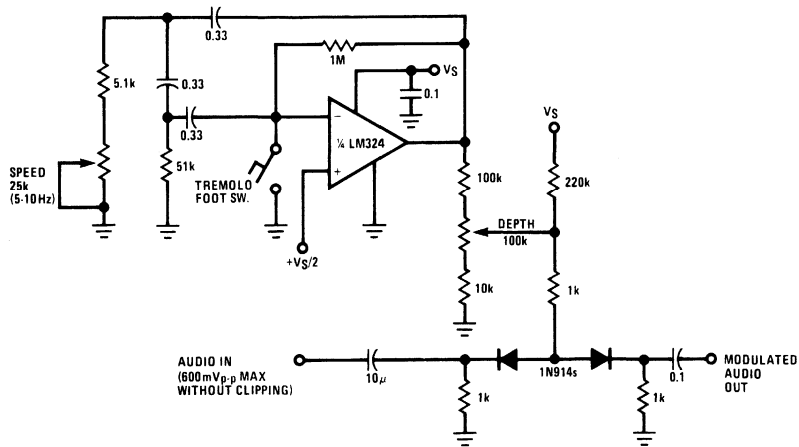


FIGURE 5.6.1 Tremolo Circuit

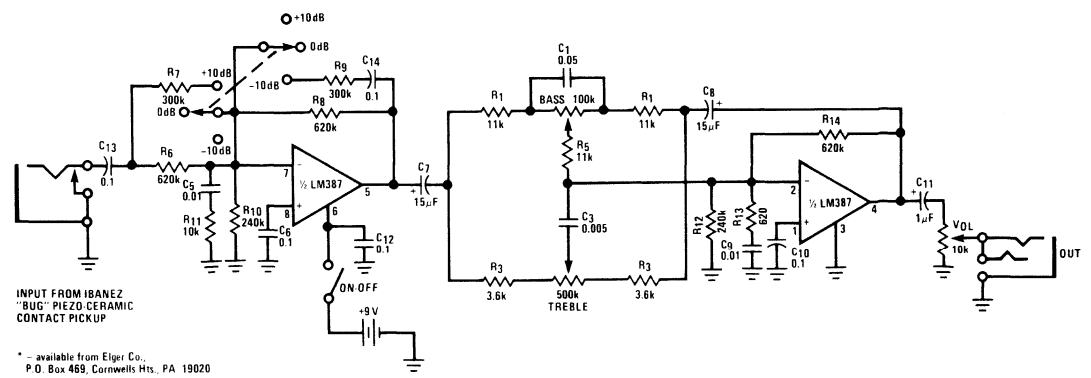
5.7 ACOUSTIC PICKUP PREAMP

Contact pickups designed for detection of vibrations produced by acoustic stringed musical instruments (e.g., guitar, violin, dulcimer, etc.) require preamplification for optimum performance. Figure 5.7.1 shows the LM387 configured as an acoustic pickup preamp, with Bass/Treble tone control, volume control, and switchable ± 10 dB gain select. The pickup used is the Ibanez "Bug," which is a flat response piezo-ceramic contact unit that is easy to use, inexpensive, and has excellent tone response. By using one half of the LM387 as the controllable gain stage and the other half as

an active two-band tone control block, the complete circuit is done with only one 8-pin IC and requires very little space, allowing custom built-in designs where desired.

The tone control circuit is as described in Section 2.14.8. Addition of the midrange tone control (Section 2.14.9) is possible, making tone modification even more flexible.

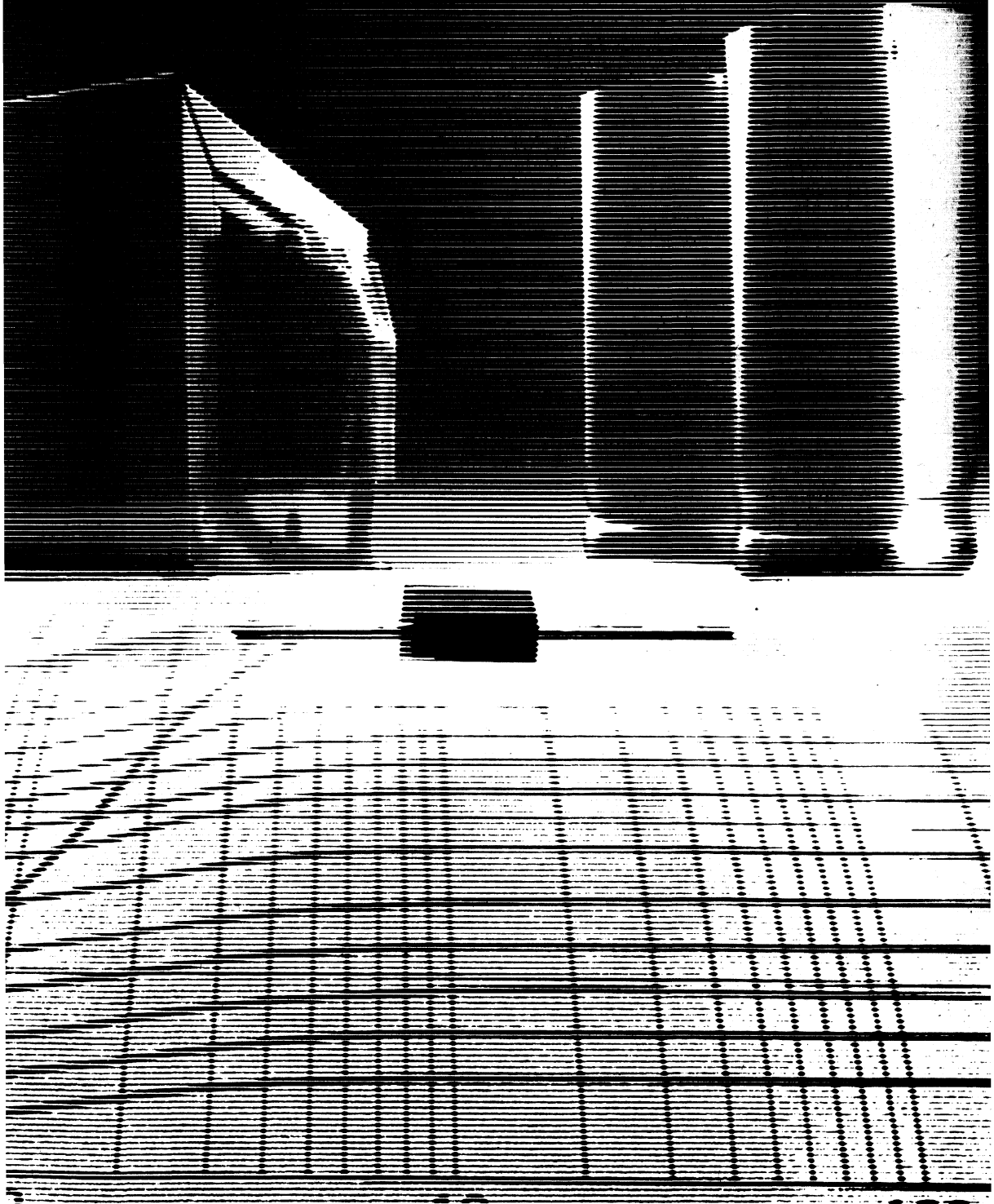
Switchable gain control of ± 10 dB is achieved using a DPDT switch to add appropriate parallelling resistors around the main gain setting resistors R_8 and R_6 . Resistor R_9 is capacitively coupled (C_{14}) so as not to disturb DC conditions set up by R_8 and R_{10} .



* - available from Elger Co., P.O. Box 469, Cornwells Hts. PA 19020

FIGURE 5.7.1 Acoustic Pickup Preamp

Section 6.0 Appendices



6.0 Appendices



A1.0 POWER SUPPLY DESIGN

A1.1 Introduction

One of the nebulous areas of power IC data sheets involves the interpretation of "absolute maximum ratings" as opposed to "operating conditions." The fact that parameters are specified at an operating voltage quite a few volts below the absolute maximum is not nearly so important in "garden variety" op amps as in power amps — because a key spec of any power amplifier is how much power it can deliver, a spec that is a strong function of the supply. Indeed P_O is approximately proportional to the square of supply voltage. Since many audio ICs are powered from a step down transformer off the 120VAC line, the "absolute maximum voltage" is an attempt to spec the highest value the supply might ever reach under power company overvoltages, transformer tolerances, etc. This spec says the IC will not die if taken to its "absolute maximum rating." Operating voltage, on the other hand, should be approximately what a nominal supply will sag under load at normal power company voltages. Some audio amplifiers are improperly specified at their "absolute maximum voltages" in order to give the illusion of large output power capability. However, since few customers regulate the supply voltage in their applications of audio ICs, this sort of "specsmanship" can only be termed deceptive.

A1.2 General

This section presents supply and filter design methods and aids for half-wave, full-wave center tap, and bridge rectifier power supplies. The treatment is sufficiently detailed to allow even those unfamiliar with power supply design to specify filters, rectifier diodes and transformers for single-phase supplies. A general treatment referring to Figure A1.1 is given, followed by a design example. No attempt is made to cover multiphase circuits or voltage multipliers. For maximum applicability a regulator is included, but may be omitted where required.

A1.3 Load Requirements

The voltage, current, and ripple requirements of the load must be fully described prior to filter and supply design. Actually, so far as the filter and supply are concerned, the load requirements are those at the regulator input. (See

Figure A1.1.) Therefore, V_{IN} and I_{IN} become the governing conditions, where:

$I_{IN} = I_O + I_Q$, output current plus regulator quiescent current

$I_{IN(MAX)} \approx I_{O(MAX)}$, full-load operating current

$I_{IN(MIN)} \leq I_Q$, no-load or minimum operating current; could be near zero

$V_{IN(PK)} = V_M$, maximum permissible instantaneous no-load filter output voltage equal to peak value of transformer secondary voltage at highest design line voltage V_{PRI} ; limited by absolute maximum regulator input voltage

$V_{IN} > V_O$, nominal DC voltage input to the regulator, usually 2 to 15V higher than V_O

$V_{IN(MIN)} \approx V_O + 2V$, minimum instantaneous full-load filter output voltage including ripple voltage; limited by minimum regulator input voltage to insure satisfactory regulation ($V_O + V_{dropout}$) or minimum regulator input voltage to allow regulator start-up under full load or upon removal of a load short circuit

r_f , RMS ripple factor at filter output expressed as a percentage of V_{IN} ; limited by maximum permissible ripple at load as modified by the ripple rejection characteristics of the regulator

A1.4 Filter Selection, Capacitor or Inductor-Input

For power supplies using voltage regulators, the filter will most often use capacitor input; therefore, emphasis will be placed upon that type of filter in following discussions. Notable differences between the two types of filters are that the capacitor input filter exhibits:

1. Higher DC output voltage
2. Poorer output voltage regulation with load variation
3. Higher peak to average diode forward currents

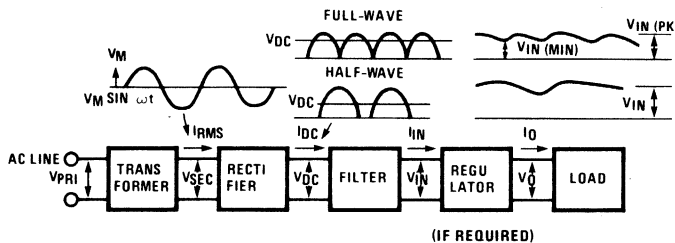
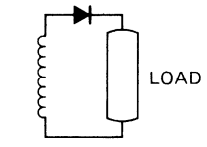
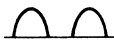
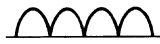
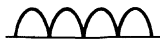


FIGURE A1.1 Power Supply Block Diagram, General Case

TABLE A1.1 Summary of Significant Rectifier Circuit Characteristics, Single Phase Circuits

Capacitive Data is for $\omega C R_L = 100$ & $R_S/R_L = 2\%$ (higher values)
and for $\omega C R_L = 10$ & $R_S/R_L = 10\%$ (lower values)

Rectifier Circuit Connection	Single Phase Half Wave			Single Phase Full Wave Center Tap			Single Phase Full Wave Bridge		
									
CHARACTERISTIC LOAD	R	L	C	R	L	C	R	L	C
Average Diode Current $I_{F(AVG)}/I_{O(DC)}$	1	1	1	0.5	0.5	0.5	0.5	0.5	0.5
Peak Diode Current $I_{FM}/I_{F(AVG)}$	3.14	-	8 5.2	3.14	2	10 6.2	3.14	2	10 6.2
Diode Current Form Factor, $F = I_{F(RMS)}/I_{F(AVG)}$	1.57	-	2.7 2	1.57	1.41	3 2.2	1.57	1.41	3 2.2
RMS Diode Current $I_{F(RMS)}/I_{O(DC)}$	1.57	-	2.7 2	0.785	0.707	1.35 1.1	0.785	0.707	1.35 1.1
RMS Input Voltage per Transformer Leg $V_{SEC}/V_{IN(DC)}$	2.22	2.22	0.707	1.11	1.11	0.707	1.11	1.11	0.707
Transformer Primary VA Rating VA/P_{DC}	3.49	-	-	1.23	1.11	-	1.23	1.11	-
Transformer Secondary VA Rating VA/P_{DC}	3.49	-	-	1.75	1.57	-	1.23	1.11	-
Total RMS Ripple %	121	-	-	48.2	-	-	48.2	-	-
Rectification Ratio (Conversion Efficiency) %	40.6	-	-	81.2	100	-	81.2	100	-

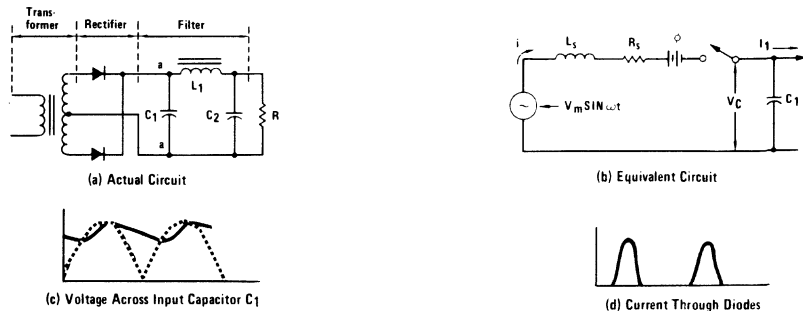


FIGURE A1.2 Actual and Equivalent Circuits of Capacitor-Input Rectifier System, Together with Oscillograms of Voltage and Current for a Typical Operating Condition

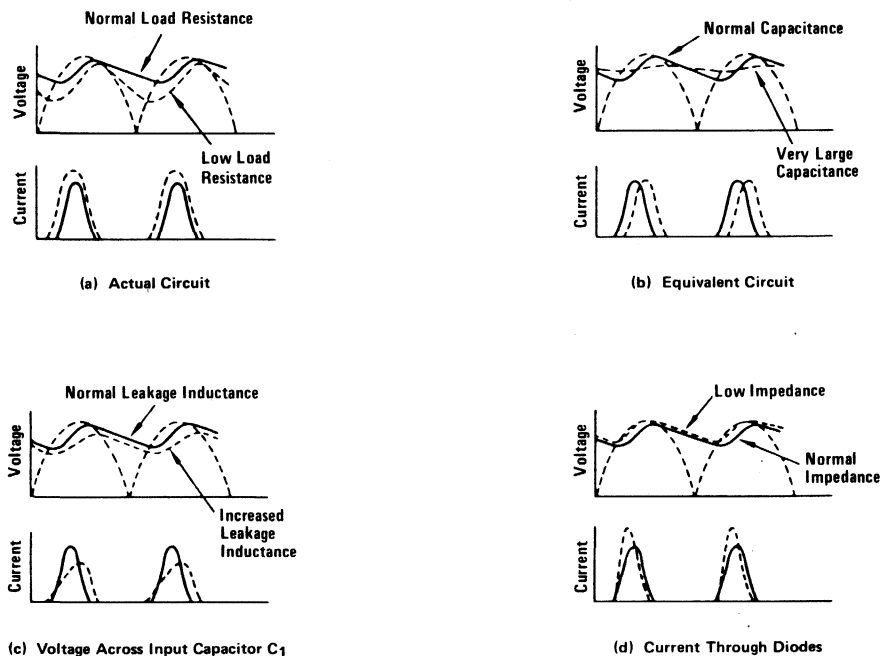


FIGURE A1.3 Effects of Circuit Constants and Operating Conditions on Behavior of Rectifier Operated with Capacitor-Input Filter

4. Lower diode PIV rating requirements
5. Very high diode surge current at turn-on
6. Higher peak to average transformer currents

The voltage regulator overcomes disadvantage (2) while semiconductor diodes of moderate price meet most of the peak and surge requirements except in supplies handling many amperes. Still, it may be necessary to balance increased diode and transformer cost against the alternative of a choke-input filter. In power supply designs employing voltage regulators, it is assumed that only moderate filter output regulation and ripple are required. Therefore, a capacitor input filter would exhibit peak currents considerably lower than indicated in the comparison of Table A1.1.

A1.5 Filter Design, Capacitor-Input

Figure A1.2 shows a full-wave, capacitor-input (filter) rectifier system with typical voltage and current waveforms. Note that ripple is inevitable as the capacitor discharges approximately linearly between voltage peaks. Figure A1.3 shows the effects on DC voltage, ripple, and peak diode current under varying conditions of load resistance, input capacitance, series diode and transformer resistance R_S , and transformer leakage inductance. The most practical design procedure for capacitor-input filters is to use the graphs of Figures A1.4-A1.7. Note, however, that these include the effects of diode dynamic resistance within R_S . Diode forward drop is not included, and must be subtracted from the transformer secondary voltage. A good rule of thumb is to subtract 0.7V from the transformer voltage and assume diode dynamic resistance is insignificant (0.02Ω at $I_F = 1\text{ A}$, 0.26Ω at $I_F = 100\text{ mA}$); ordinarily the transformer resistance will overshadow diode dynamic resistance.

Figures A1.4 and A1.5 show the relationship between peak AC input voltage and DC output voltage as a relation to load resistance R_L , series circuit resistance R_S , and filter input capacitance C. Figure A1.4 is for half-wave rectifiers and Figure A1.5 is for full-wave rectifiers. Note that the horizontal axis is labeled in units of ωCR_L where:

$$\omega = \text{AC line frequency in Hertz} \times 2\pi$$

$$C = \text{value of input capacitor in Farads}$$

$$R_L = V_{IN}/I_{IN} \approx V_O/I_O, \text{ equivalent load resistance in Ohms}$$

$$R_S = \text{total of diode dynamic resistance, transformer secondary resistance, reflected transformer primary resistance, and any added series surge limiting resistance}$$

The major design trade-off encountered in designing capacitor-input filters is that between achieving good voltage regulation with low ripple and achieving low cost.

Referring to Figures A1.4 and A1.5:

1. Good regulation means $\omega CR_L \approx 10$.
2. Low ripple may mean $\omega CR_L > 40$.
3. High efficiency means $R_S/R_L < 0.02$.
4. Low cost usually means low surge currents and small C.
5. Good transformer utilization means low VA ratings, best with full-wave bridge FWB circuit, followed by full-wave center tap FWCT circuit.

In most cases, a minimum capacitance accomplishing a reasonable full-load to no-load regulation is preferable for low cost. To achieve this, use an intercept with the upper

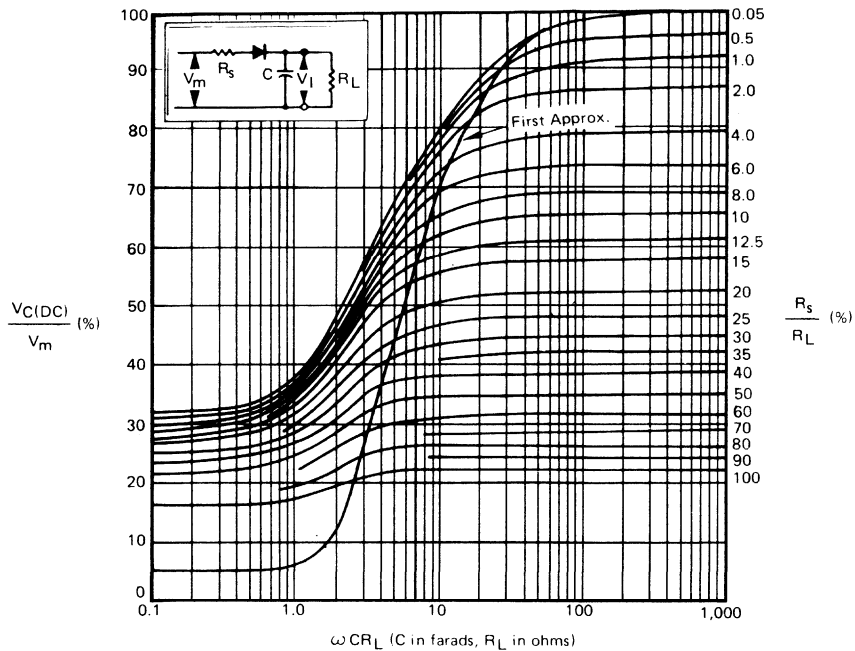


FIGURE A1.4 Relation of Applied Alternating Peak Voltage to Direct Output Voltage in Half-Wave Capacitor-Input Circuits (From O. H. Schade, Proc. IRE, vol. 31, p. 356, 1943.)

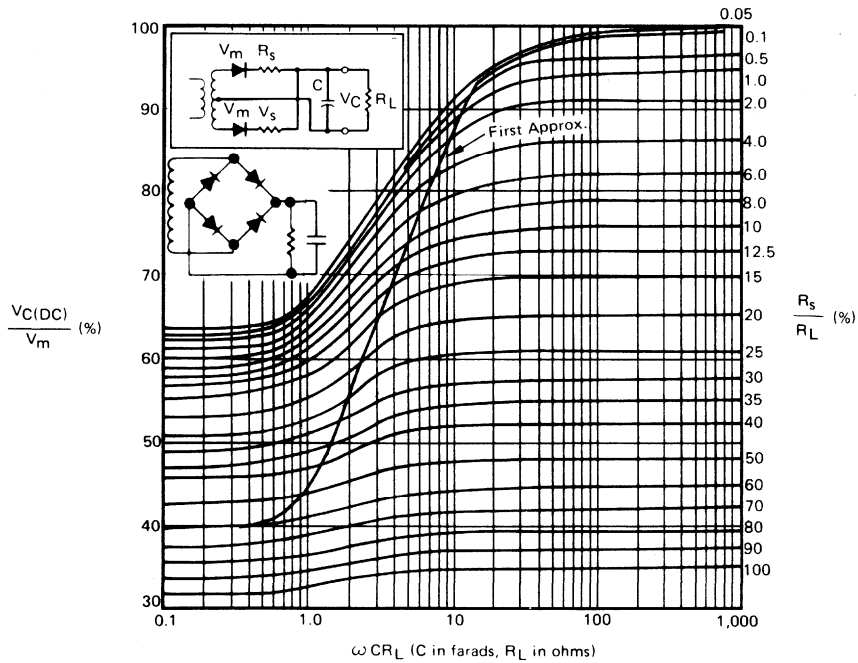


FIGURE A1.5 Relation of Applied Alternating Peak Voltage to Direct Output Voltage in Full-Wave Capacitor-Input Circuits (From O. H. Schade, Proc. IRE, vol. 31, p. 356, 1943.)

knee of the curves in Figures A1.4 and A1.5. Occasionally, a minimum value filter capacitor will not result in a lower cost system. For example, increasing the value of C may allow higher R_S/R_L to result in lower surge and RMS currents, thus allowing lower cost transformers and diodes. Be sure that capacitors used have adequate ripple current ratings.

Design procedure is as follows:

1. Assuming that V_O , I_O , ω , and load ripple factor r_f have been established and an appropriate voltage regulator has been selected, we know or can determine:

$$\omega = 2\pi f = 377 \text{ rad/sec for 60 Hz line}$$

$$r_f(\text{in}) = r_f(\text{out}) \times \text{ripple reduction factor of selected regulator}$$

$V_{IN}(\text{PK}) \leq \text{Max } V_{IN}$ for the selected regulator; allow for highest line voltage likely to be encountered

$I_{IN}(\text{MIN}) \approx V_O + 2V$; allow for lowest line voltage

$V_{IN}(\text{DC})^+ = V_{IN}$, usually 2-15V above V_O ; if chosen midway between $V_{IN}(\text{PK})$ and $V_{IN}(\text{MIN})$ or slightly below that point, will allow for greatest ripple voltage

$I_{IN} \approx I_O$ for full load

$I_{IN}(\text{MIN}) = I_O$ for open load

$R_L = V_{IN}(\text{DC})/I_{IN}$

$R_L(\text{MIN}) = V_{IN}(\text{MIN})/I_{IN}$

2. Set $V_M \leq V_{IN}(\text{PK})$ and calculate $V_{IN}(\text{DC})/V_{IN}$. Enter the graph of Figure A1.4 or A1.5 at the calculated $V_{IN}(\text{DC})/V_M$ to intercept one of the $R_S/R_L = \text{constant}$ lines. Either estimate R_S at this time or intercept the curve marked "First Approximation."

3. Drop vertically from the intercept of Step (2) to the horizontal axis and read ωCR_L . Calculate C, allowing for usual commercial tolerance on capacitors of +100, -50%.

If $V_{IN}(\text{DC})$ is midway between $V_{IN}(\text{PK})$ and $V_{IN}(\text{MIN})$, the supply can present maximum ripple to the regulator. A low value of C is then practical. If $V_{IN}(\text{DC})$ is near $V_{IN}(\text{MIN})$, regulator power dissipation is low and supply efficiency is high; however, ripple must be low, requiring large C.

4. Determine ripple factor r_f from Figure A1.6. Make certain that the ripple voltage does not drop instantaneous V_{IN} below $V_{IN}(\text{MIN})$.

The ripple factor could determine minimum required C if ripple is the limiting factor instead of voltage regulation. Again, allow for -50% tolerance on the capacitor.

$$V_{\text{ripple(pk)}} = \sqrt{2} \frac{r_f}{100} V_{IN}(\text{DC})$$

A1.6 Diode Specification

Find diode requirements as follows:

1. $I_F(\text{AVG}) = I_{IN}(\text{DC})$ for half-wave rectification
 $= I_{IN}(\text{DC})/2$ for full-wave rectification
2. Determine peak diode current ratio from Figure A1.7; remember to allow for highest operating line voltage and +100% capacitor tolerance.

$$I_{FM} = I_{FM}/I_F(\text{AVG}) \times I_{IN}(\text{DC}) \text{ for half-wave}$$

$$= I_{FM}/I_F(\text{AVG}) \times I_{IN}(\text{DC})/2 \text{ for full-wave}$$

3. Determine diode surge current requirement at turn-on of a fully discharged supply when connected at the peak of the highest expected AC line waveform. Surge current is:

$$I_{\text{SURGE}} = \frac{E_M}{R_S + \text{ESR}}$$

where ESR = effective series resistance of capacitor.

4. Find required diode PIV rating from Figure A1.8. Actually, required PIV may be considerably more than the value thus obtained due to noise spikes on the line. See Section A1.9 for details on transient protection. Remember that the PIV for the diodes in the FWB configuration are one half that of diodes as found in FWCT or HW rectifier circuits.

The diodes may now be selected from diode manufacturers' data sheets. If calculated surge current rating or peak current ratings are impractically high, return to Step A1.5(2) and choose a higher R_S/R_L or lower C. Conversely, it may be practical to choose lower R_S/R_L or higher C if diode current ratings can be practically increased without adverse effect on transformer cost; the result will be higher supply efficiency.

A1.7 Transformer Specification

A decision may have been made at Step A1.5(2) as to using half-wave or full-wave rectification. The half-wave circuit is often all that is required for low current regulated supplies; it is rarely used at currents over 1A, as large capacitors and/or high surge currents are dictated. Transformer utilization is also quite low, meaning that higher VA rating is required of the transformer in HW circuits than in FW circuits. (See VA ratings of Table A1.1.)

Half-wave circuits are characterized by low $V_{IN}(\text{DC})/V_M$ ratio, or very large C required (about 4 times that required for FW circuits, high ripple, high peak to average diode and transformer current ratios, and poor transformer utilization). They do, however, require only one diode.

Full-wave circuits are characterized by high $V_{IN}(\text{DC})/V_M$ ratio, low C value required, low ripple, low peak to average diode and transformer current ratios, and good transformer utilization. They do require two diodes in the center-tap version, while the bridge configuration with its very high transformer utilization requires four diodes.

The information necessary to specify the transformer is:

1. Half-wave, full-wave CT or full-wave bridge circuit
2. Secondary V_{RMS} per transformer leg, $(V_M + 0.7^*)/\sqrt{2}$, from Section A1.5
3. Total equivalent secondary resistance including reflected primary resistance from Section A1.5
4. Peak, average, and RMS diode or winding currents from Sections A1.6(1) and -(2), and VA ratings.

*1.4 for full-wave bridge circuit.



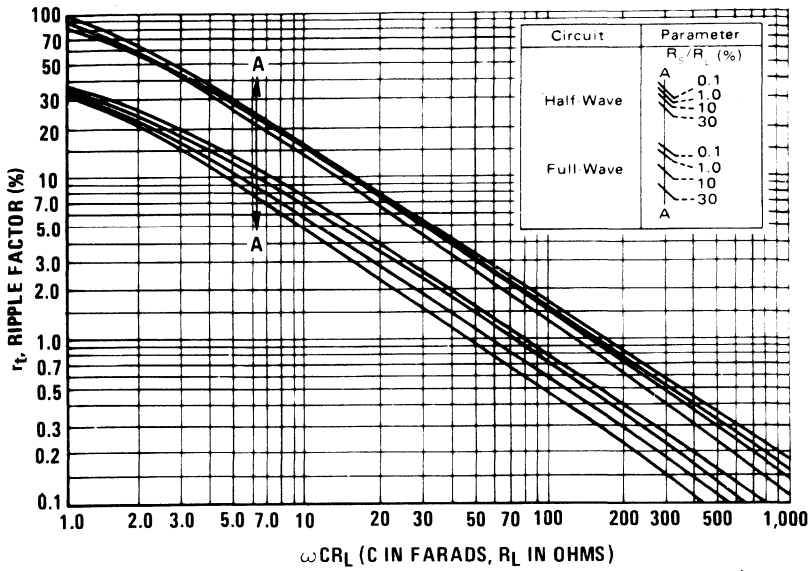


FIGURE A1.6 Root-Mean-Square Ripple Voltage for Capacitor-Input Circuits
(From O. H. Schade, Proc. IRE, vol. 31, p. 356, 1943.)

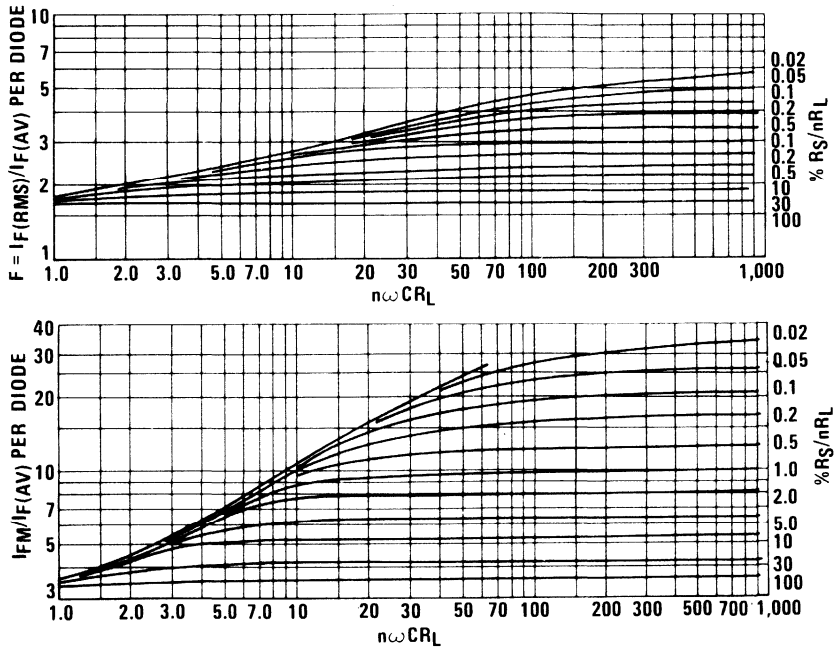


FIGURE A1.7 Relation of RMS and Peak-to-Average Diode Current in Capacitor-Input Circuits
(From O. H. Schade, Proc. IRE, vol. 31, p. 356, 1943.)

Transformer VA rating and secondary current ratings are determined as follows:

	FWB	FWCT	HW
$I_{RMS(SEC)}$	$I_{IN(DC)} F/\sqrt{2}$	$I_{IN(DC)} F/2$	$I_{IN(DC)} F$
V_{ASEC}	$V_{RMS} I_{RMS}$	$2 V_{RMS} I_{RMS}$	$V_{RMS} I_{RMS}$
V_{APRI}	V_{ASEC}	$V_{ASEC}/\sqrt{2}$	V_{ASEC}

where: $F = I_{R(RMS)}/I_{IN(DC)}$
 = form factor from Figure A1.7
 V_{RMS} = secondary RMS voltage per leg

A1.8 Additional Filter Sections

Occasionally, it is desirable to add an additional filter to reduce ripple. When this is done, an LC filter section is cascaded with the single C section filter already designed. If the inductor is of low resistance, the effect on output voltage is small. The additional ripple reduction may be determined from Figure A1.9.

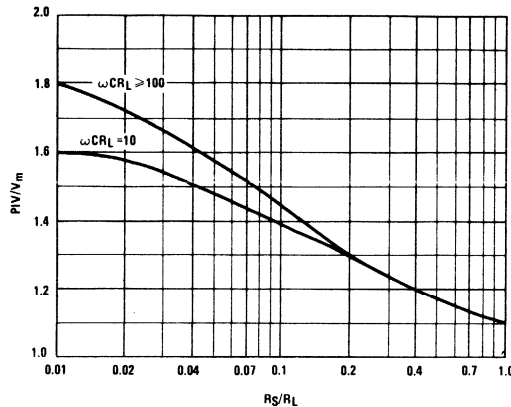


FIGURE A1.8 Ratio of Operating Peak Inverse Voltage to Peak Applied AC for Rectifiers Used in Capacitor-Input, Single-Phase, Filter Circuits

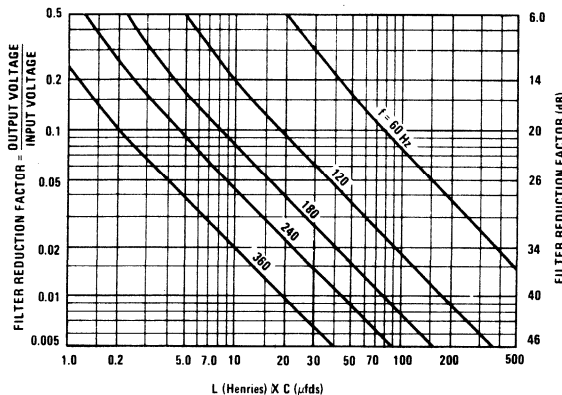


FIGURE A1.9 Reduction in Ripple Voltage Produced by a Single Section Inductance-Capacitance Filter at Various Ripple Frequencies

A1.9 Transient Protection

Often the PIV rating of the rectifier diodes must be considerably greater than the minimum value determined from Figure A1.8. This is due to the likely presence of high-voltage transients on the line. These transients may be as high as 400 V on a 115 V line. The transients are a result of switching inductive loads on the power line. Such loads could be motors, transformers, or could even be caused by SCR lamp dimmers or switching-type voltage regulators, or the reverse recovery transients in rectifying diodes. As the transients appearing on the transformer primary are coupled to the secondary, the rectifier diodes may see rather high peak voltages. A simple method of protecting against these transients is to use diodes with very high PIV. However, high-current diodes with very high PIV ratings can be expensive.

There are several alternate methods of protecting the rectifier diodes. All rely on the existence of some line impedance, primary transformer resistance or secondary circuit resistance. See Figure A1.10 for the system circuit.

The several methods of transient protection rely on shunting the transient around the rectifier diodes to dissipate the transient energy in the series circuit resistance and the protective device. The usual protection methods are:

1. Series resistor at the primary with shunt capacitor across the primary winding — see Figure A1.10

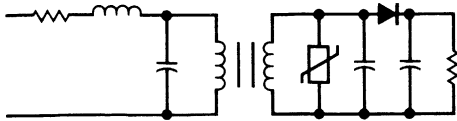


FIGURE A1.10 Transformer/Filter Circuit Showing Placement of Transient Protection Components

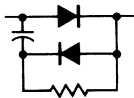
2. Series inductance at the primary, possibly with a shunt capacitor across the primary – see Figure A1.10
3. Shunt capacitor on the secondary – see Figure A1.10
4. Capacitor shunt on the rectifier diode – transient power is thus dissipated in circuit series resistance.



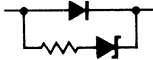
5. Surge suppression varactor shunt on the rectifier diode – this scheme is quite effective, but costly.



6. Dynamic clipper shunt on the rectifier diode – the clipper consists of an R, a C and a diode.



7. Zener shunt on the rectifier diode – may also include a series resistance.



8. Shunt varistor (e.g., GE MOVs) on the secondary – see Figure A1.10.

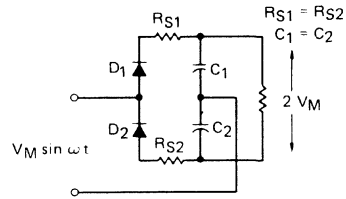
Of the several protective circuits:

- (1), (2), (3) and (4) are least costly, but are limited in their utility to incomplete protection.
- (4) is probably the circuit providing the most protection for the money and is all that may be required in low-current regulated supplies.
- (5), (6), (7) and (8) are most costly, but provide greatest protection. Their use is most worthwhile on high current supplies where high PIV ratings on high-current diodes is costly, or where very high transient voltages are encountered.

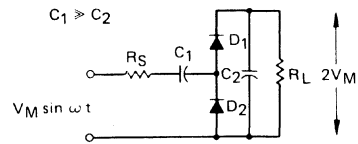
A1.10 Voltage Doublers

Occasionally, a voltage doubler is required to increase the voltage output from an existing transformer. Although the doubler circuits will provide increased output voltage, this is accomplished at the expense of an increased component count. Specifically, two filter capacitors are required. There are two basic types of doubler circuits as indicated in Figure A1.11. Figure A1.11a is the conventional full-wave doubler circuit wherein two capacitors connected in series are charged on alternate half cycles of the line waveform.

Figure A1.11b is a half-wave doubler circuit wherein C_2 is partially charged on one half cycle and then on the second half cycle the input voltage is added to provide a doubling effect. C_1 is normally considerably larger than C_2 . The advantage of the half-wave circuit is that there is a common input and output terminal; disadvantages are high ripple, low I_Q capability, and low V_{OUT} .



(a) Conventional Full-Wave Voltage Doubling Circuit



(b) Cascade (Half-Wave) Voltage Doubling Circuit

FIGURE A1.11 Voltage Doubler Circuits

These rectifying circuits, being capacitively loaded, exhibit high peak currents when energy is transferred to the capacitors. Filter design for the doubler circuits is similar to that of the conventional capacitor filter circuits. Figures A1.12, A1.13 and A1.14 provide the necessary design aids for full-wave voltage doubler circuits. They are used in the same way as Figures A1.5, A1.6 and A1.7.

A1.11 Design Example

Design a 5V, 3A regulated supply using an LM123K. Determine the filter values and transformer and diode specifications. Ripple should be less than 7mVRMS. Assume 60dB ripple reduction from typical curves.

1. Establish operating conditions:

$$\omega = 377 \text{ rad/sec}$$

$V_{IN(PK)} = 18V$ and 10% high line voltage; this allows some 2V headroom before reaching the 20V absolute maximum V_{IN} rating of the LM123K

$V_{IN(MIN)} = 7.5V$ at 10% low line voltage including effects of ripple voltage

$V_{IN(DC)} = 11V$ at nominal line voltage; chosen to exceed $V_{IN(MIN)}$ + peak ripple voltage

$$V_{ripple(out)} \leq 7mVRMS$$

$$V_{ripple(in)} \leq 7VRMS$$

$$r_{f(in)} \leq 7V/11V = 63.5\%$$

$$I_{IN} = 3A$$

$$I_{IN(MIN)} = I_Q = 20mA$$

$$R_L = 11V/3A = 3.67\Omega$$

$$R_{L(MIN)} = 7.5V/3A = 2.5\Omega$$

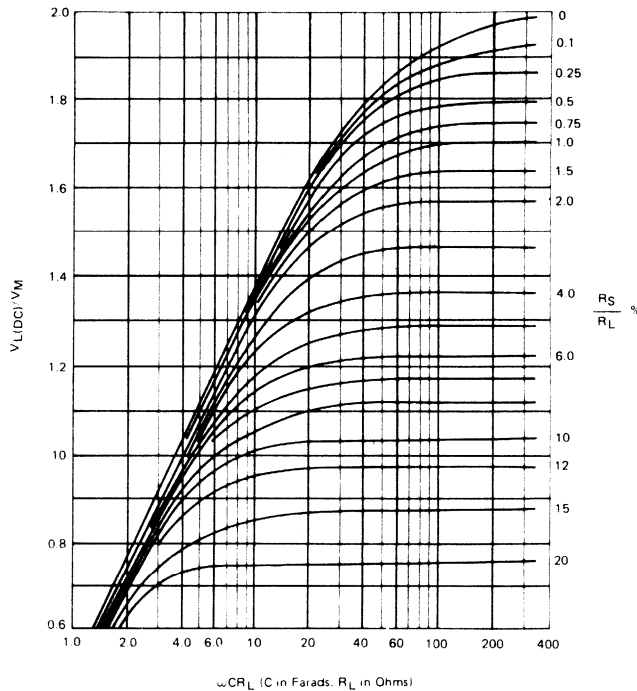


FIGURE A1.12 Output Voltage as a Function of Filter Constants for Full-Wave Voltage Doubler for Full-Wave Voltage Doubler

2. Set:

$$V_M = 16.3\text{V nominal, which is } 18\text{V} - 10\% \text{ line variation}$$

$$V_{IN(DC)}/V_M = 11/16.3 = 0.67$$

Assume full-wave bridge rectification because of the high current load. Enter the graph of Figure A1.5 at $V_{IN(DC)}/V_M = 0.67$ to intercept the "First Approximation" curve.

3. Drop down to the horizontal axis to find $\omega CR_L = 3.33$. Thus, $R_S/R_L \approx 13\%$, or $R_S = 0.4\Omega$ is allowable.

$$C = \frac{3.33}{3.67 \times 377} = 2400\mu\text{F}$$

(4800 μF allowing for -50% capacitor tolerance)

4. Ripple factor is 15% from Figure A1.6. Ripple is then

$$V_{\text{ripple(pk)}} = \sqrt{2} \times 0.15 \times 11 = 2.33\text{V pk.}$$

5. Checking for $V_{IN(MIN)}$:

$V_M = 16.3\text{V}$ or, allowing for 10% low line voltage, 14.8V

$$V_{IN(DC)} = 14.8 \times 0.67 = 9.91\text{V}$$

Subtracting peak ripple, $V_{IN(MIN)} = 9.91 - 2.33 = 7.6\text{V}$ which is within specifications

In fact, all requirements have been met.

6. Diode specifications are:

$$I_F(\text{AVG}) = \frac{I_{IN(DC)}}{2} = 1.5\text{A for FW rectifiers}$$

$I_{FM} = 8 \times 1.5\text{A} = 12\text{A}$, from figure A1.7, allowing $C = 100\%$ high, for commercial tolerances

$I_{\text{SURGE}} = 18\text{V}/0.48\Omega = 37.5\text{A}$, worst case with 10% high line, neglecting capacitor ESR

$I_F(\text{RMS}) = 2.1 \times 1.5\text{A} = 3.15\text{A}$, from Figure A1.7, allowing for 100% high tolerance on C

7. Transformer specifications are:

$$V_{\text{SEC(RMS)}} = \frac{16.3 + 1.4}{\sqrt{2}} = 12.6 \text{ for FWB}$$

(24 VCT for FWCT)

$R_S = 0.48\Omega$ including reflected primary resistance, but subtract 2 x diode resistance

$$I_{\text{AVG}} = I_{IN(DC)} = 3\text{A}$$

$$I_{\text{SEC(RMS)}} = \frac{I_{IN(DC)} \times F}{\sqrt{2}} = \frac{3\text{A} \times 2.1}{1.414} = 4.45\text{A}$$

VA rating = $4.45\text{A} \times 12.6 = 56\text{VA}$, or 62VA, allowing for 10% high line.

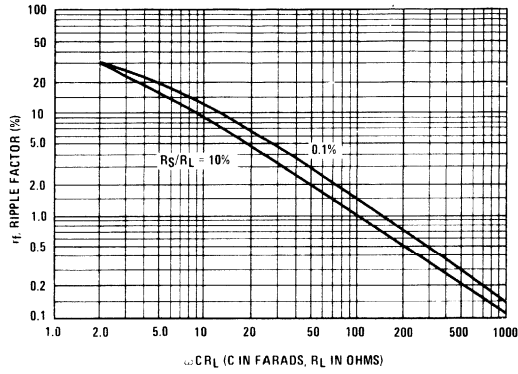
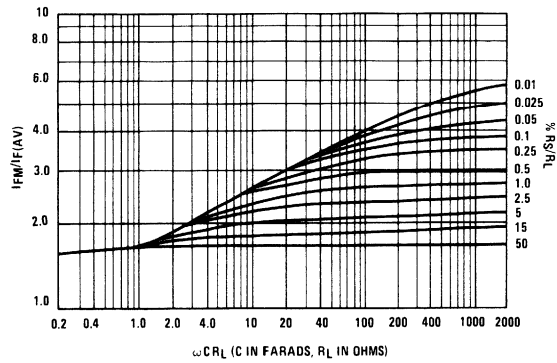


FIGURE A1.13 Ripple as a Function of Filter Constants for Full-Wave Voltage Doubler



RMS Rectifier Current as a Function of Filter Constants for Full-Wave Voltage Doubler

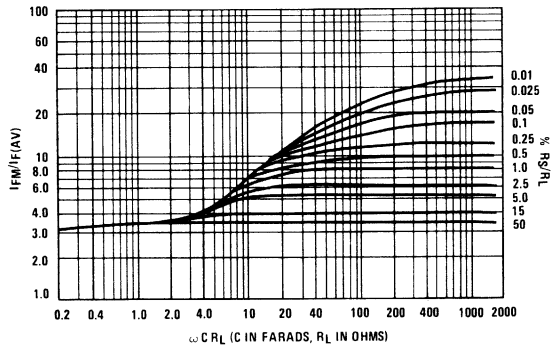


FIGURE A1.14 Relation of RMS to Peak and Average Diode Currents

A2.0 DECIBEL CONVERSION

A2.1 Definitions

The decibel (dB) is the unit for comparing relative levels of sound waves or of voltage or power signals in amplifiers.

The number of dB by which two power outputs P_1 and P_2 (in Watts) may differ is expressed by:

$$10 \log \frac{P_1}{P_2}$$

or, in terms of volts:

$$20 \log \frac{E_1}{E_2} \quad (\text{Figure A2.1})$$

or, in current:

$$20 \log \frac{I_1}{I_2}$$

While power ratios are independent of source and load impedance values, voltage and current ratios in these formulas hold true only when the source and load impedances Z_1 and Z_2 are equal. In circuits where these impedances differ, voltage and current ratios are expressed by:

$$\text{dB} = 20 \log \frac{E_1 \sqrt{Z_2}}{E_2 \sqrt{Z_1}} \quad \text{or} \quad 20 \log \frac{I_1 \sqrt{Z_1}}{I_2 \sqrt{Z_2}}$$

Specific reference levels, i.e., the 0dB point, are denoted by a suffix letter following the abbreviation dB. Common suffixes and their definitions follow:

dBm – referenced to 1mW of power in a 600Ω line (0dBm = 0.775V)

dBV – referenced to 1V (independent of impedance levels)

dBW – referenced to 1W

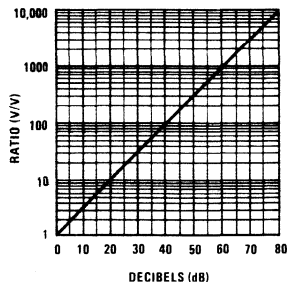


FIGURE A2.1 Gain Ratio to Decibel Conversion Graph
(Note: For negative values of decibels, i.e., gain attenuation, simply invert the ratio number. For example, -20dB = 1/10V/V.)

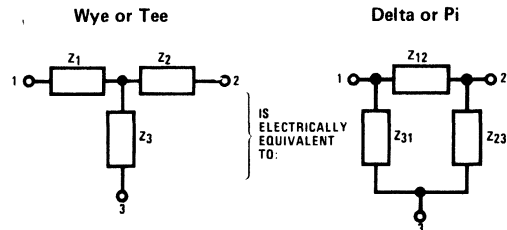
A2.2 Relationship Between dB/Octave and dB/Decade

dB/Octave	dB/Decade
3	10
6	20
9	30
10	33.3
12	40
15	50
18	60

A3.0 WYE-DELTA TRANSFORMATION

Wye-delta transformation techniques (and the converse, delta-wye) are very powerful analytical tools for use in understanding feedback networks. Known also as tee-pi and pi-tee transformations, their equivalencies are given below.

A3.1 Wye-Delta (Tee-Pi)



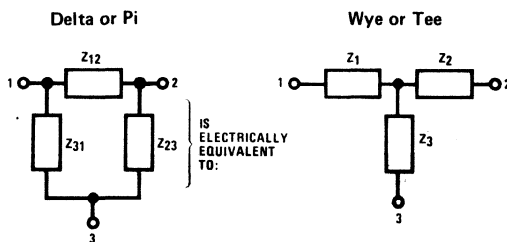
where:

$$Z_{12} = Z_1 + Z_2 + \frac{Z_1 Z_2}{Z_3} \quad (\text{A3.1.1})$$

$$Z_{23} = Z_2 + Z_3 + \frac{Z_2 Z_3}{Z_1} \quad (\text{A3.1.2})$$

$$Z_{31} = Z_3 + Z_1 + \frac{Z_3 Z_1}{Z_2} \quad (\text{A3.1.3})$$

A3.2 Delta-Wye (Pi-Tee)



where:

$$Z_1 = \frac{Z_{12} Z_{31}}{Z_{12} + Z_{23} + Z_{31}} \quad (\text{A3.2.1})$$

$$Z_2 = \frac{Z_{12} Z_{23}}{Z_{12} + Z_{23} + Z_{31}} \quad (\text{A3.2.2})$$

$$Z_3 = \frac{Z_{31} Z_{23}}{Z_{12} + Z_{23} + Z_{31}} \quad (\text{A3.2.3})$$

A4.0 STANDARD BUILDING BLOCK CIRCUITS

Definitions:

A_v = Closed Loop AC Gain

f_o = Low Frequency -3dB Corner

R_{in} = Input Impedance

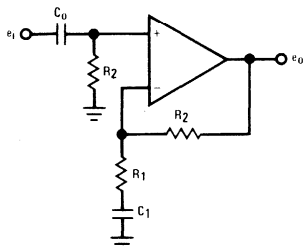
General Comments:

Power supply connections omitted for clarity.

Split supplies assumed.

Single supply biasing per A4.9 or A4.10.

A4.1 Non-Inverting AC Amplifier

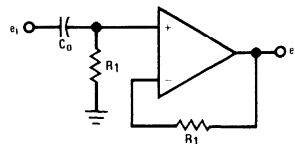


$$A_v = 1 + \frac{R_2}{R_1}$$

$$R_{in} = R_2$$

$$f_o = \frac{1}{2\pi R_2 C_0} = \frac{1}{2\pi R_1 C_1}$$

A4.4 Non-Inverting Buffer

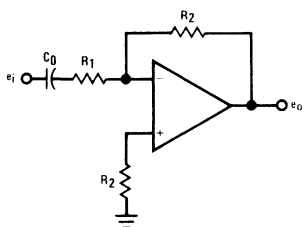


$$A_v = 1$$

$$R_{in} = R_1$$

$$f_o = \frac{1}{2\pi R_1 C_0}$$

A4.2 Inverting AC Amplifier

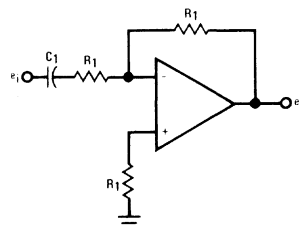


$$A_v = -\frac{R_2}{R_1}$$

$$R_{in} = R_1$$

$$f_o = \frac{1}{2\pi R_1 C_0}$$

A4.5 Inverting Buffer

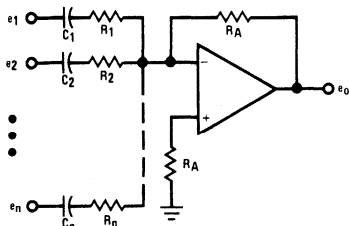


$$A_v = -1$$

$$R_{in} = R_1$$

$$f_o = \frac{1}{2\pi R_1 C_1}$$

A4.3 Inverting Summing Amplifier

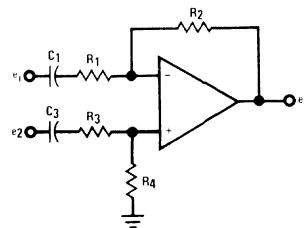


$$e_o = -R_A \left(\frac{e_1}{R_1} + \frac{e_2}{R_2} + \dots + \frac{e_n}{R_n} \right)$$

IF $R_1 = R_2 = \dots = R_n$ THEN

$$e_o = -\frac{R_A}{R_1} (e_1 + e_2 + \dots + e_n)$$

A4.6 Difference Amplifier



$$e_o = \left(\frac{R_1 + R_2}{R_3 + R_4} \right) \frac{R_4}{R_1} e_2 - \frac{R_2}{R_1} e_1$$

IF $R_1 = R_3$ AND $R_2 = R_4$ THEN

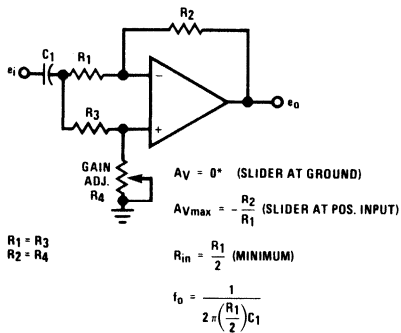
$$e_o = \frac{R_2}{R_1} (e_2 - e_1)$$

$$f_o = \frac{1}{2\pi R_1 C_1} = \frac{1}{2\pi (R_3 + R_4) C_3}$$

$R_2 = R_4$ FOR MINIMAL OFFSET ERROR

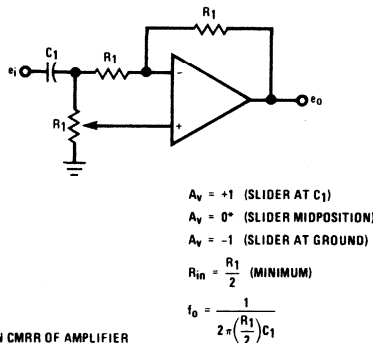
* 0.1% MATCH FOR MAX CMRR

A4.7 Variable Gain AC Amplifier



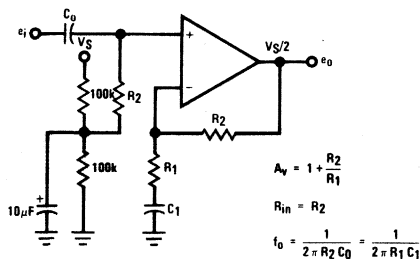
* LIMITED BY CMRR OF AMPLIFIER AND MATCH OF $R_1 = R_3$, $R_2 = R_4$, e.g., LF356 AND 0.1% MATCH EQUALS > 80dB FOR $A_{vmax} = 20$ dB.

A4.8 Switch Hitter (Polarity Switcher, or 4-Quadrant Gain Control)

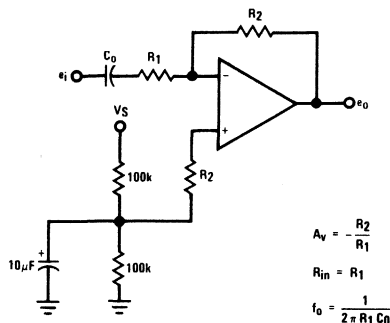


* WITHIN CMRR OF AMPLIFIER

A4.9 Single Supply Biasing of Non-Inverting AC Amplifier



A4.10 Single Supply Biasing of Inverting AC Amplifier



A5.0 MAGNETIC PHONO CARTRIDGE NOISE ANALYSIS

A5.1 Introduction

Present methods of measuring signal-to-noise (S/N) ratios do not represent the true noise performance of phono preamps under real operating conditions. Noise measurements with the input shorted are only a measure of the preamp noise voltage, ignoring the two other noise sources: the preamp current noise and the noise of the phono cartridge.

Modern phono preamps have typical S/N ratios in the 70dB range (below 2mV @ 1kHz), which corresponds to an input noise voltage of 0.64μV, which looks impressive but is quite meaningless. The noise of the cartridge¹ and input network is typically *greater* than the preamp noise voltage, ultimately limiting S/N ratios. This must be considered when specifying preamplifier noise performance. A method of analyzing the noise of complex networks will be presented and then used in an example problem.

A5.2 Review of Noise Basics

The noise of a passive network is thermal, generated by the real part of the complex impedance, as given by Nyquist's Relation:

$$\overline{V_n^2} = 4kT \operatorname{Re}(Z) \Delta f \quad (\text{A5.2.1})$$

where: $\overline{V_n^2}$ = mean square noise voltage

k = Boltzmann's constant ($1.38 \times 10^{-23} \text{W-sec}^{\circ} \text{K}$)

T = absolute temperature ($^{\circ} \text{K}$)

$\operatorname{Re}(Z)$ = real part of complex impedance (Ω)

Δf = noise bandwidth (Hz)

The total noise voltage over a frequency band can be readily calculated if it is white noise (i.e., $\operatorname{Re}(Z)$ is frequency independent). This is not the case with phono cartridges or most real world noise problems. Rapidly changing cartridge network impedance and the RIAA equalization of the preamplifier combine to complicate the issue. The total input noise in a non-ideal case can be calculated by breaking the noise spectrum into several small bands where the noise is nearly white and calculating the noise of each band. The total input noise is the RMS sum of the noise in each of the bands N_1, N_2, \dots, N_N .

$$V_{\text{noise}} = (\overline{V_{N1}^2} + \overline{V_{N2}^2} + \dots + \overline{V_{NN}^2})^{1/2} \quad (\text{A5.2.2})$$

This expression does not take into account gain variations of the preamp, which will also change the character of the noise at the preamp output. By reflecting the RIAA equalization to the preamp input and normalizing the gain to 0dB at 1kHz, the equalized cartridge noise may then be calculated.

$$VEQ = (|A_1|^2 \overline{V_{N1}^2} + |A_2|^2 + \dots + |A_N|^2 \overline{V_{NN}^2})^{1/2} \quad (\text{A5.2.3})$$

where: VEQ = equalized preamp input noise

$|A_n|$ = magnitude of the equalized gain at the center of each noise band (V/V)

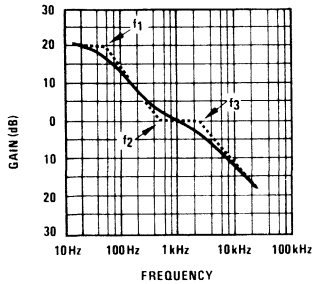
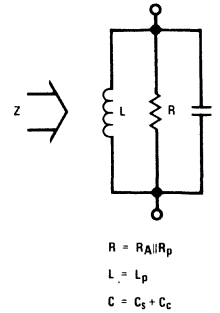


FIGURE A5.1 Normalized RIAA Gain



A5.3 Cartridge Impedance

The simplified lumped model of a phono cartridge consists of a series inductance and resistance shunted by a small capacitor. Each cartridge has a recommended load consisting of a specified shunt resistance and capacitor. A model for the cartridge and preamp input network is shown in Figure A5.2.

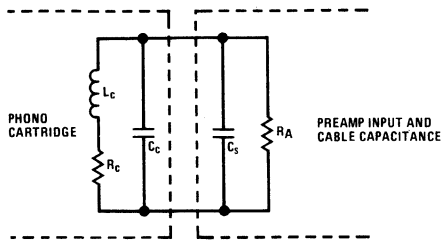
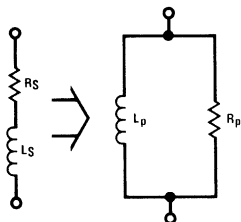


FIGURE A5.2 Phono Cartridge and Preamp Input Network

This seemingly simple circuit is quite formidable to analyze and needs further simplification. Through the use of Q equations,² a series L-R is transformed to a parallel L-R.



$$Q = \frac{\omega L_S}{R_S} \quad (A5.3.1)$$

$$R_P = R_S(1 + Q^2)$$

$$L_P = L_S \left(\frac{1 + Q^2}{Q^2} \right)$$

Simplifying the input network,

The impedance relations for this network are:

$$\text{Re}(Z) = \frac{R X_L^2 X_C^2}{(R X_L - R X_C)^2 + X_L^2 X_C^2} \quad (A5.3.2)$$

$$|Z| = \frac{R X_L X_C}{[(R X_L - R X_C)^2 + X_L^2 X_C^2]^{1/2}}$$

A5.4 Example

Calculations of the RIAA equalized phono input noise are done using Equations (A5.2.1)-(A5.3.2). Center frequencies and frequency bands must be chosen: values of R_p , L_p , $\text{Re}(Z)$, $|Z|$ and noise calculated for each band, then summed for the total noise. Octave bandwidths starting at 25 Hz will be adequate for approximating the noise.

An ADC27 phono cartridge is used in this example, loaded with $C = 250 \text{ pF}$ and $R_A = 47 \text{ k}\Omega$, as specified by the manufacturer, with cartridge constants of $R_s = 1.13 \text{ k}\Omega$ and $L_s = 0.75 \text{ H}$. (C_c may be neglected.) Table A5.1 shows a summary of the calculations required for this example.

A5.5 Conclusions

The RIAA equalized noise of the ADC27 phono cartridge and preamp input network was $0.75 \mu\text{V}$ for the audio band. This is the limit for S/N ratios if the preamp was noiseless, but zero noise amplifiers do not exist. If the preamp noise voltage was $0.64 \mu\text{V}$ then the actual noise of the system is $0.99 \mu\text{V}$ ($[0.64^2 + 0.75^2]^{1/2} \mu\text{V}$) or -66 dB S/N ratio (re 2 mV @ 1 kHz input). This is a 4 dB loss and the preamp current noise will degrade this even more.

TABLE A5.1 Summary of Calculations

	25 - 50	50 - 100	100 - 200	200 - 400	400 - 800	800 - 1.6k	1.6k - 3.2k	3.2k - 6.4k	6.4k - 12.8k	12.8k - 20k
f Range (Hz)	37.5	75	150	300	600	1200	2400	4800	9600	16.4k
f Center (Hz)	25	50	100	200	400	800	1600	3200	6400	7.2k
fBW (Hz)	0.156	0.313	0.625	1.25	2.5	5	10	20	40	68.4
$Q = \frac{\omega L_s}{R_s}$	0.0244	0.098	0.391	1.56	6.25	25	100	400	1600	4678.6
Q ²	1.0244	1.098	1.391	2.56	7.25	26	101	401	1601	4679.6
$1 + Q^2$	42	11.24	3.56	1.64	1.16	1.04	1.01	1.0	1.0	1.0
$\frac{1 + Q^2}{Q^2}$	1.16k	1.24k	1.57k	2.9k	8.2k	29.4k	114k	454k	1.8M	5.29M
R _p (Ω)	31.5	8.43	2.67	1.23	0.87	0.78	0.76	0.75	0.75	0.75
L _p (H)	1.13k	1.21k	1.52k	2.74k	7k	18.1k	32.9k	42.6k	45.8k	46.6k
R _{pl} R _A (Ω)	7.42k	3.97k	2.52k	2.32k	3.28k	5.88k	11.45k	22.6k	45.2k	77.2k
X _L (Ω)	17M	8.48M	4.24M	2.12M	1.06M	0.53M	0.265M	0.133M	66.3k	38.8k
R _e (Z) (Ω)	1.11k	1.11k	1.11k	1.15k	1.26k	1.73k	3.86k	12.4k	41.5k	34k
Z (Ω)	1.12k	1.15k	1.3k	1.77k	2.97k	5.59k	11.7k	24.4k	43.6k	40.1k
e _{nz} (nV/√Hz)	4.1	4.1	4.1	4.1	4.3	5.1	7.3	14	26	23
V _N (nV)	20.5	29	41	58	86	144.2	292	792	2080	1952
V _n ² (nV ²)	420.3	840.5	1681	3362	7396	20.8k	85.3k	627.7k	4.33M	3.81M
A ²	63.04	31.6	10	3.17	1.59	0.89	0.45	0.159	0.05	0.025
A ² V _n ² (nV ²)	26.5k	26.6k	16.8k	10.7k	11.8k	18.5k	38.1k	99.7k	216.3k	95.2k

$(\Sigma V_n^2)^{1/2} = 2.96 \mu V$ unequalized noise.
 $(\Sigma |A_n|^2 V_n^2)^{1/2} = 0.75 \mu V$ RIAA equalized noise.



Thus it is apparent that present phono preamp S/N ratio measurement methods are inadequate for defining actual system performance, and that a new method should be used — one that more accurately reflects true performance.

REFERENCES

- Hallgren, B. I., "On the Noise Performance of a Magnetic Phonograph Pickup," *Jour. Aud. Eng. Soc.*, vol. 23, September 1975, pp. 546-552.
- Fristoe, H. T., "The Use of Q Equations to Solve Complex Electrical Networks," *Engineering Research Bulletin*, Oklahoma State University, 1964.
- Korn, G. A. and Korn, T. M., *Basic Tables in Electrical Engineering*, McGraw-Hill, New York, 1965.
- Maxwell, J., *The Low Noise JFET — The Noise Problem Solver*, Application Note AN-151, National Semiconductor, 1975.

A6.0 GENERAL PURPOSE OP AMPS USEFUL FOR AUDIO

National Semiconductor's line of integrated circuits designed specifically for audio applications consists of 4 dual preamplifiers, 3 dual power amplifiers, and 6 mono power amplifiers. All devices are discussed in detail through most of this handbook; there are, however, other devices also useful for general purpose audio design, a few of which appear in Table A6.1. Functionally, most of these parts find their usefulness between the preamplifier and power amplifier, where line level signal processing may be required. The actual selection of any one part will be dictated by its actual function.

TABLE A6.1 General Purpose Op Amps Useful for Audio

Device ¹	Single	Dual	Quad	Compensated	Decompensated ²	Uncompensated	Slew Rate ³ (V/ μ s)	Supply Voltage Typical (Min. \rightarrow Max.)	Supply Current Maximum (mA)	General Features of Audio Application Interest
LM301A	X				X	5 ⁴	$\pm 3 \rightarrow \pm 18$	3		Low THD.
LM310	X			X		30	$\pm 5 \rightarrow \pm 18$	5.5		Fast unity-gain buffer.
LM318	X			X		50	$\pm 5 \rightarrow \pm 18$	10		High slew rate.
LM324			X	X		0.3	3 \rightarrow 30 ($\pm 1.5 \rightarrow \pm 15$)	2		Low supply current quad.
LM343	X			X		2.5	$\pm 4 \rightarrow \pm 34$	5		High supply voltage.
LM344	X				X	30	$\pm 4 \rightarrow \pm 34$	5		Fast LM343.
LM348			X	X		0.5	$\pm 5 \rightarrow \pm 18$	4.5		Quad LM741.
LM349			X		X	2	$\pm 5 \rightarrow \pm 18$	4.5		Fast LM348.
LF355	X			X		5	$\pm 5 \rightarrow \pm 18$	4		Low supply current LF356.
LF356 ⁵	X			X		12	$\pm 5 \rightarrow \pm 18$	10		Fast, JFET input, low noise.
LF357	X				X	50	$\pm 5 \rightarrow \pm 18$	10		Higher slew rate LF356.
LM358		X		X		0.3	3 \rightarrow 30 ($\pm 1.5 \rightarrow \pm 15$)	1.2		Dual LM324.
LM394	—	—	—	—	—	—	—	—		Supermatch low noise transistor pair.
LM741	X			X		0.5	$\pm 3 \rightarrow \pm 18$	2.8		Workhorse of the industry.
LM747		X		X		0.5	$\pm 3 \rightarrow \pm 18$	5.6		Dual LM741 (14 pin).
LM1458		X		X		0.2	$\pm 3 \rightarrow \pm 18$	5.6		Dual LM741 (8 pin).
LM3900			X	X		0.5	4 \rightarrow 30 ($\pm 2 \rightarrow \pm 15$)	10		Quad current differencing amp.
LM4250	X			X		0.03	$\pm 1 \rightarrow \pm 18$	0.1		Micropower.

- Commercial devices shown (0°C-70°C); extended temperature ranges available.
- Decompensated devices stable above a minimum gain of 5V/V.
- $A_v = 1V/V$ unless otherwise specified.
- Compensation capacitor = 3pF; $A_v = 10V/V$ minimum.
- Highly recommended as general purpose audio building block.

A7.0 FEEDBACK RESISTORS AND AMPLIFIER NOISE

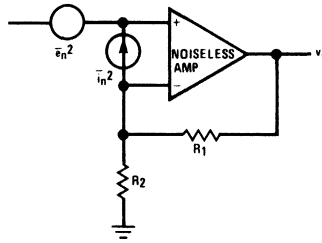


FIGURE A7.1 Practical Feedback Amplifier

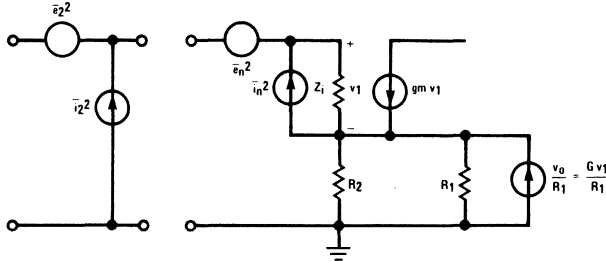


FIGURE A7.2 Model of First Stage of Amplifier

To see the effect of the feedback resistors on amplifier noise, model the amplifier of Figure A7.1 as shown in Figure A7.2.

We must now show that the intrinsic noise generators $\overline{e_n^2}$ and $\overline{i_n^2}$ are related to the noise generators outside the feedback loop, $\overline{e_2^2}$ and $\overline{i_2^2}$. In addition, the output noise at v_o can be related to v_1 by the open loop gain of the amplifier G , i.e.,

$$v_o = v_1 G$$

Thus v_1 is a direct measure of the noise behavior of the amplifier. Open circuit the amplifier and equate the effects of the two noise current generators. By superposition:

$$v_1 = i_2 Z_i$$

$$\text{also } v_1 = i_n Z_i$$

$$\therefore \overline{i_n^2} = \overline{i_2^2}$$

Short circuit the input of the amplifier to determine the effect of the noise voltage generators. To do this, short the amplifier at $\overline{e_2^2}$ and determine the value of v_1 , then short circuit the input at $\overline{e_n^2}$ and find the value of v_1 .

$$e_2 = v_1 + R_1 \parallel R_2 \left(gm v_1 + \frac{G v_1}{R_1} \right)$$

$$v_1 = e_2 \frac{1}{1 + gm R_1 \parallel R_2 + G \frac{R_1 \parallel R_2}{R_1}} \quad (\text{A7.1})$$

Now short the input at $\overline{e_n^2}$; $\overline{e_n^2}$ and $\overline{i_n^2}$ both affect v_1 .

$\overline{e_n^2}$ gives:

$$v_1 = e_n \frac{1}{1 + gm R_1 \parallel R_2 + G \frac{R_1 \parallel R_2}{R_1}} \quad (\text{A7.2})$$

$\overline{i_n^2}$ gives:

$$-v_1 = Z_i \parallel R_1 \parallel R_2 \left(gm v_1 + G \frac{v_1}{R_1} - i_n \right)$$

Assume $Z_i \gg R_1 \parallel R_2$

$$v_1 = \frac{i_n R_1 \parallel R_2}{1 + gm R_1 \parallel R_2 + G \frac{R_1 \parallel R_2}{R_1}} \quad (\text{A7.3})$$

Add Equations (A7.2) and (A7.3) and equate to Equation (A7.1):

$$\frac{\overline{e_n^2} + \overline{i_n^2} (R_1 \parallel R_2)^2}{\left(1 + gm R_1 \parallel R_2 + G \frac{R_1 \parallel R_2}{R_1} \right)^2} = \frac{\overline{e_2^2}}{\left(1 + gm R_1 \parallel R_2 + G \frac{R_1 \parallel R_2}{R_1} \right)^2}$$

$$\therefore \overline{e_2^2} = \overline{e_n^2} + \overline{i_n^2} (R_1 \parallel R_2)^2$$

A8.0 RELIABILITY

Consumer Plus Program

National's Consumer Plus Program is a comprehensive program that assures high quality and reliability of molded integrated circuits. The C+ Program improves both the quality and reliability of National's consumer products. It is intended for the manufacturing user who cannot perform 100% inspection of his ICs, or does not wish to do so, yet needs significantly-better-than-usual incoming quality and reliability levels for his ICs.

Integrated circuit users who specify Consumer Plus processed parts will find that the program:

- eliminates 100% the need for incoming electrical inspection
- eliminates the need for, and thus the costs of, independent testing laboratories
- reduces the cost of reworking assembled boards
- reduces field failures
- reduces equipment downtime

Reliability Saves You Money

With the increased population of integrated circuits in modern consumer products has come an increased concern with IC failures, and rightly so, for at least two major reasons. First of all, the effect of component reliability on system reliability can be quite dramatic. For example, suppose that you, as a color TV manufacturer, were to choose ICs that are 99% reliable. You would find that if your TV system used only seven such ICs, the overall reliability of IC portion would be only 50% for one out of each ten sets produced. In other words, only nine out of your ten systems would operate. The result? Very costly to produce and probably very difficult to sell. Secondly, whether the system is large or small, you cannot afford to be hounded by the spectre of unnecessary maintenance costs, not only because labor, repair or rework costs have risen — and promise to continue to rise — but also because field replacement may be prohibitively expensive.

Reliability vis-a-vis Quality

The words "reliability" and "quality" are often used interchangeably as though they connoted identical facets of a product's merit. But reliability and quality are different and IC users must understand the difference to evaluate various vendors' programs for product improvement that are generally available, and National's Consumer Plus Program in particular.

The concept of *quality* gives us information about the population of faulty IC devices among good devices, and generally relates to the number of faulty devices that arrive at a user's plant. But looked at in another way, quality can instead relate to the number of faulty ICs that escape detection at the IC vendor's plant.

It is the function of a vendor's Quality Control arm to monitor the degree of success of that vendor in reducing the number of faulty ICs that escape detection. QC does this by testing the outgoing parts on a sampled basis. The Acceptable Quality Level (AQL) in turn determines the stringency of the sampling. As the AQL decreases it becomes more difficult for bad parts to escape detection; thus the quality of the shipped parts increases.

The concept of *reliability*, on the other hand, refers to how well a part that is initially good will withstand its environment. Reliability is measured by the percentage of parts that fail in a given period of time.

Thus ICs of high quality may, in fact, be of low reliability, while those of low quality may be of high reliability.

Improving the Reliability of Shipped Parts

The most important factor that affects a part's reliability is its construction: the materials used and the method by which they are assembled.

It's true that reliability cannot be tested into a part, but there are tests and procedures that can be implemented which subject the IC to stresses in excess of those that it will endure in actual use. These will eliminate most marginal parts.

In any test for reliability the weaker parts will normally fail first. Stress tests will accelerate the failure of the weak parts. Because the stress tests cause weak parts to fail prior to shipment to the user, the population of shipped parts will in fact demonstrate a higher reliability in use.

Quality Improvement

When an IC vendor specifies 100% final testing of his parts, every shipped part should be a good part. However, in any population of mass-produced items there does exist some small percentage of defective parts.

One of the best ways to reduce the number of such faulty parts is, simply, to retest the parts prior to shipment. Thus, if there is a 1% chance that a bad part will escape detection initially, retesting the parts reduces that probability to only 0.01%. (A comparable tightening of the QC group's sampled-test plan ensures this.)

National's Consumer Plus Program Gets It All Together

We've stated that the C+ Program improves both the quality and reliability of National's molded integrated circuits, and pointed out the difference between these two concepts. Now, how do we bring them together? The answer is in the C+ Program processing, which is a continuum of stress and double testing. With the exception of the final QC inspection, which is sampled, all steps of the C+ processes are performed on 100% of the program parts. The following flow chart shows how we do it.

Epoxy B Processing for All Molded Parts

At National, all molded semiconductors, including ICs, have been built by this process for some time now. All processing steps, inspections and QC monitoring are designed to provide highly reliable products. (A reliability report is available that gives, in detail, the background of Epoxy B, the reason for its selection at National and reliability data that proves its success.)

Six Hour, 150°C Bake

This stress places the die bond and all wire bonds into a tensile and shear stress mode, and helps eliminate marginal bonds and connections.

Five Temperature Cycles (0°C to 100°C)

Exercising the circuits over a 100°C temperature range generally eliminates any marginal bonds missed during the bake.

High Temperature (100°C) Functional Electrical Test

A high-temperature test such as this with voltages applied places the die under the most severe stress

possible. The test is actually performed at 100°C – 30°C higher than the commercial ambient limit. All devices are thoroughly exercised at the 100°C ambient. (Even though Epoxy B has virtually eliminated thermal intermittents, we perform this test to insure against even the remote possibility of such a problem. Remember, the emphasis in the C+ Program is on the elimination of those marginally performing devices that would otherwise lower field reliability of the parts.)

DC Functional and Parametric Tests

These room-temperature functional and parametric tests are the normal, final tests through which all National products pass.

Tighter-Than-Normal QC Inspection Plans

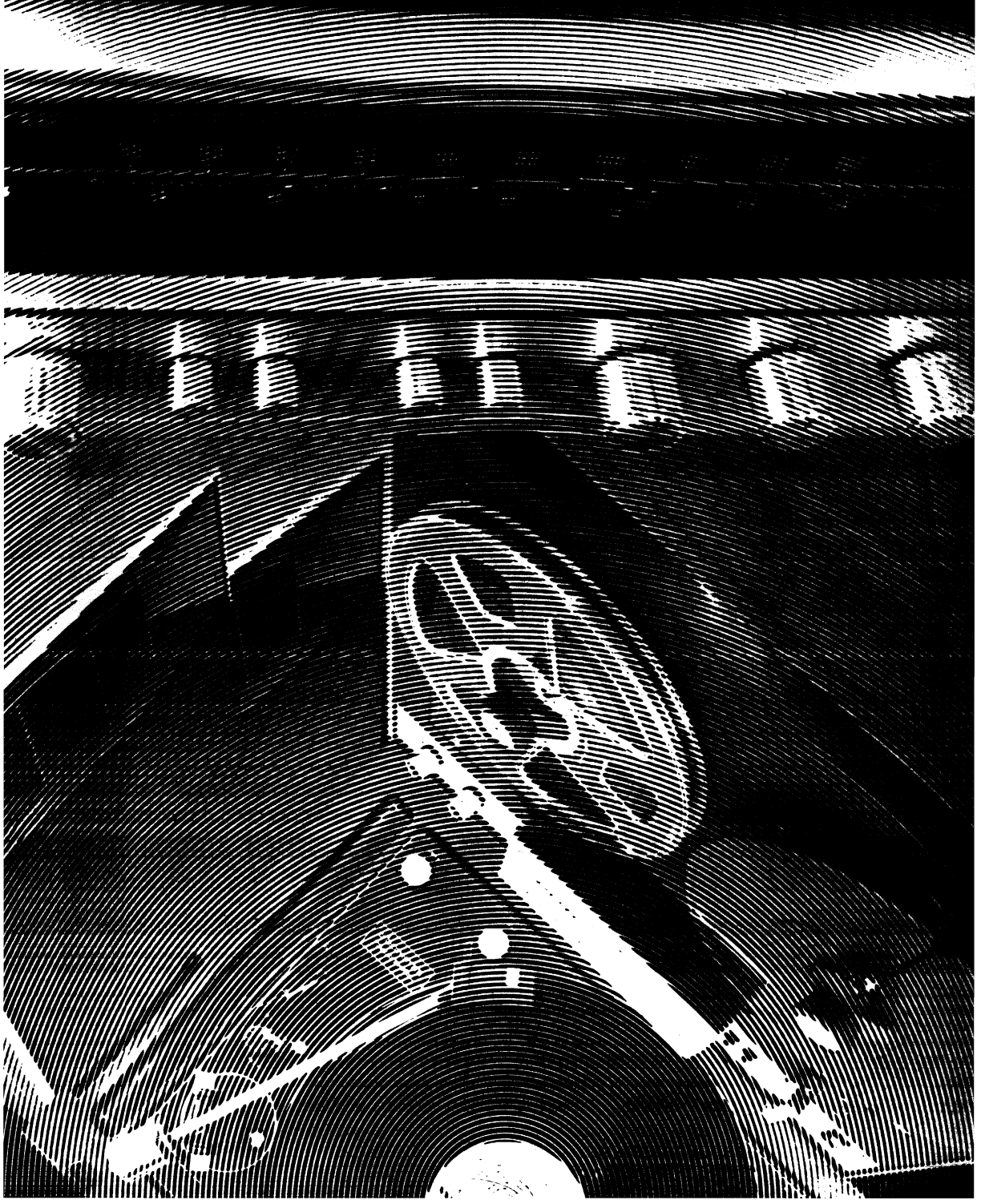
Most vendors sample inspect outgoing parts to a 0.65% AQL. Some use even a looser 1% AQL. However, not only do we sample your parts to a 0.28% AQL for all data-sheet DC parameters, but they receive a 0.14% AQL for functionality as well. Functional failures – not parameter shifts beyond spec – cause most system failures. Thus, the five-times to seven-times tightening of the sampling procedure (from 0.65%-1% to 0.14% AQL) gives a substantially higher quality to your C+ parts. And you can rely on the integrity of your received ICs without incoming tests.

Ship Parts

Here are the QC sampling plans used in our Consumer Plus test program:

Test	Temperature	AQL
Electrical Functionality	25°C	0.14%
Parametric, DC	25°C	0.28%
Parametric, DC	100°C	1%
Parametric, AC	25°C	1%
Major Mechanical	–	0.25%
Minor Mechanical	–	1%

Section 7.0 Index



7.0 Index



- AB Bias:** 4-3
- Absolute Maximum Ratings:** 1-2, 6-1
- Acoustic Pickup Preamp:** 5-12
- Active Crossover Networks**
 - Filter Choice: 5-1
 - Filter Order: 5-1
 - Table of Values: 5-5
 - Third-Order Butterworth: 5-2
 - Use of: 5-6
- AGC:** 3-27
- AM9709:** 5-11
- AM97C11:** 2-62
- Ambience, Rear Channel, Amplifier:** 4-20
- Amplifiers**
 - AB Bias:** 4-3
 - Bootstrapped:** 4-37, 4-41
 - Buffer:** 6-12
 - Class B:** 4-2
 - Current Limit:** 4-3
 - Difference:** 6-12
 - Distortion:** 4-1, 4-3
 - Frequency Response:** 4-1
 - gm: 4-1
 - Inverting AC:** 6-12
 - Loop Gain:** 4-1
 - Non-Inverting AC:** 6-12
 - Output Stages:** 4-2
 - Protection Circuits:** 4-3
 - RF Oscillation in:** 4-2
 - Single Supply Biasing:** 6-13
 - Slew Rate:** 4-2
 - Summing:** 6-12
 - Thermal Shutdown:** 4-4
 - Transconductance:** 4-1
 - Variable Gain:** 6-13
- Amplitude Modulation** (see AM Radio)
- AM Radio**
 - Field Strength Conversion:** 3-1
 - LM1820: 3-4
 - Regenerative:** 3-1
 - Superheterodyne:** 3-1
 - Tuned RF:** 3-1
 - Typical Gain Stages:** 3-4
- AM Rejection Ratio:** 3-27
- AM Suppression:** 3-27
- Analog Switching** (see Switching, Noiseless)
- Antenna Field Strength** (see AM Radio)
- Antennas**
 - Capacitive: 3-2
 - Ferrite Rod: 3-1
- AQL (Acceptable Quality Level):** 6-18
- Audio Rectification:** 2-10
- Audio Taper Potentiometer:** 2-40
- Balance Control:** 2-44, 4-19
- Balanced Mic Preamp** (see Mic Preamps)
- Bandwidth:** 1-2
- Bass Control**
 - Active: 2-45, 2-47, 4-35, 5-12
 - Passive: 2-40
- Baxandall Tone Control** (see Tone Control, Active)
- Biampification:** 5-1
- Bias Erasure:** 2-31
- Bias Trap:** 2-32
- Boosted Power Amplifiers**
 - Emitter Followers: 4-42
 - LM391: 4-43
- Bootstrapped Amplifiers** (see Power Amplifiers, LM388, LM390)
- Bridge Amplifiers**
 - LM377/LM378/LM379: 4-15
 - LM380: 4-25
 - LM388: 4-39
 - Power Dissipation of: 4-45
- Buffer Amplifier:** 6-12
- Butterworth Filters:** 2-50, 5-1
- Capacitive Antenna** (see Antennas, Capacitive)
- Capture Ratio:** 3-27
- Cartridges** (see Phono Cartridges)
- Ceramic Phono Amplifier:** 4-24, 4-34
- Channel Separation:** 3-27
- Circuit Layout** (see Layout, Circuit)
- Class B Output Stage:** 4-2
- Closed-Loop Gain:** 2-1
- CMRR in Mic Preamps:** 2-39
- Conduction:** 4-46
- Constant Amplitude Disc Recording:** 2-26
- Constant Velocity Disc Recording:** 2-26
- Consumer Plus Program:** 6-18
- Contact Mic Preamp** (see Acoustic Pickup Preamp)
- Convection:** 4-46
- Crest Factor:** 2-8
- Crossover Distortion** (see Distortion)
- Crossover Networks** (see Active Crossover Networks)
- Current Amplifier:** 2-61
- Current Limit:** 4-3
- Cutover:** 2-25
- Decibel:** 6-11
- Decompensated Op Amp:** 1-2
- Delta-Wye Transformation:** 6-11
- Difference Amplifier:** 2-38, 6-12
- Disc** (see Phono Disc)
- Dissipation** (see Power Dissipation)
- Distortion**
 - Harmonic: 1-2, 3-27, 4-1
 - Crossover: 4-3
- Dynamic Range**
 - Phono Disc: 2-25
 - Supply Voltage: 1-2
- Emissivity:** 4-49
- Emitter Coupled RF Amplifier:** 3-9
- Epoxy B:** 6-18
- Equalization** (see RIAA or NAB Equalization)
- Equalizer:** 2-53
- Equalizing Instrument:** 2-56
- Excess Noise:** 2-3
- Feedback, Effects of**
 - Bandwidth: 2-1

- General: 2-1
- Harmonic Distortion: 2-1
- Input Impedance: 2-1
- Inverting Amplifier: 2-1
- Noise Gain: 2-1
- Non-Inverting Amplifier: 2-1
- Output Impedance: 2-1
- Series-Shunt: 2-1
- Shunt-Shunt: 2-1
- Feedback Tone Control** (see Tone Control, Active)
- Ferrite Rod Antenna** (see Antennas, Ferrite Rod)
- Field Strength** (see Antenna Field Strength)
- Filters, Active**
 - Bandpass: 2-51, 2-52, 2-57
 - High Pass: 2-49, 5-3
 - Low Pass: 2-49, 5-3
 - Parameter Definitions: 2-49
 - Rumble: 2-49
 - Scratch: 2-49
 - Speech: 2-51
- Flanging:** 5-10
- Flat Response:** 2-40
- Fletcher and Munson** (see Loudness Control)
- Flicker Noise:** 2-4
- FM Radio**
 - Detectors: 3-8
 - Gain Blocks: 3-11
 - IF Amplifiers: 3-8, 3-13
 - Limiters: 3-8
 - LM171: 3-9
 - LM703: 3-9
 - LM1310: 3-22, 3-23
 - LM1351: 3-13
 - LM1800: 3-23
 - LM2111: 3-13
 - LM3011: 3-11
 - LM3065: 3-15
 - LM3075: 3-15
 - LM3089: 3-18
 - Narrowband: 3-14
 - Stereo: 3-23
- FM Scanner Power Amp:** 4-40
- FM Stereo Multiplex** (see FM Radio, Stereo)
- Form Factor:** 6-7
- Frequency Modulation** (see FM Radio)
- Full-Power Bandwidth:** 1-1
- Fuzz:** 5-11
- Gain-Bandwidth Product:** 1-2
- General Purpose Op Amps:** 6-16
- Graphic Equalizer:** 2-53
- Groove Modulation:** 2-25
- Ground Loops:** 2-1
- Harmonic Distortion** (see Distortion)
- Head Gap (Width):** 2-31
- Headroom** (see Dynamic Range)
- Heatsinking**
 - Custom Design: 4-48
 - Heat Flow: 4-46
 - LM377/LM378/LM379: 4-13
 - Modelling: 4-47
 - PC Board Foil: 4-50
 - Procedure: 4-48
 - Staver V-7: 4-22
 - Thermal Resistance: 4-47
 - Where to Find Parameters: 4-47
- IF Bandwidth:** 3-27
- IF Selectivity:** 3-27
- Input Bias Current:** 3-27
- Input Referred Ripple Rejection:** 1-2
- Input Resistance:** 3-27
- Input Sensitivity:** 3-27
- Input Voltage Range:** 3-27
- Instrumentation Amplifier:** 2-39
- Intercom:** 4-26, 4-40
- Inverse RIAA Response Generator:** 2-30
- Inverting AC Amplifiers:** 6-12
- JFET Switching:** 2-62
- Lag Compensation:** 2-56
- Large Signal Response:** 1-1
- Large Signal Voltage Gain:** 3-27
- Layout, Circuit:** 2-1
- LF356/LF357**
 - Active Crossover Network: 5-4, 5-5
 - Mic Preamp: 2-39
- LH0002:** 2-61
- Limiting Sensitivity:** 3-27
- Limiting Threshold:** 3-27
- Line Driver:** 2-61
- LM171:** 3-9
- LM324:** 5-11
- LM348:** 5-11
- LM349**
 - Active Tone Control: 2-47, 2-49
 - Equalizing Instrument: 2-58
 - Ten Band Octave Equalizer: 2-55
- LM377/LM378/LM379**
 - Boosted: 4-42
 - Bridge Connection: 4-15
 - Characteristics: 4-5
 - Circuit Description: 4-8
 - Comparison: 4-5
 - Fast Turn-On Circuitry: 4-9
 - Heatsinking: 4-13
 - Inverting Amplifier: 4-10
 - Layout: 4-13
 - Non-Inverting Amplifier: 4-9, 4-10, 4-14
 - Power Oscillator: 4-17
 - Power Output: 4-11
 - Power Summer: 5-10
 - Proportional Speed Controller: 4-18
 - Rear Channel Ambience Amplifier: 4-20
 - Reverb Driver: 5-8, 5-9
 - Split Supply Operation: 4-13
 - Stabilization: 4-13
 - Stereo System: 4-19
 - Two-Phase Motor Drive: 4-17
 - Unity Gain Operation: 4-14

LM380

AC Equivalent Circuit: 4-22
Biasing: 4-23
Bridge: 4-25
Ceramic Phono: 4-24
Characteristics: 4-6
Circuit Description: 4-21
Common-Mode Tone Control: 4-24
Common-Mode Volume Control: 4-24
DC Equivalent Circuit: 4-21
Device Dissipation: 4-22
Dual Supply: 4-27
Heatsinking: 4-22
Intercom: 4-26
JFET Input: 4-27
Oscillation: 4-24
RF Precautions: 4-24
Siren: 4-28
Voltage-to-Current Converter: 4-27

LM381

Audio Rectification Correction: 2-10
Biasing: 2-12
Characteristics: 2-11
Circuit Description: 2-12
Equivalent Input Noise: 2-9
Inverting AC Amplifier: 2-15
Mic Preamp: 2-58
Non-Inverting AC Amplifier: 2-15
Split Supply Operation: 2-14
Tape Playback Preamp: 2-33
Tape Record Preamp: 2-32

LM381A

Characteristics: 2-11
Equivalent Input Noise: 2-9
General: 2-15
Mic Preamp: 2-37
Optimizing Input Current Density: 2-16
Phono Preamp: 2-44
Tape Playback Preamp: 2-36

LM382

Adjustable Gain for Non-Inverting Case: 2-22
Characteristics: 2-11
Equivalent Input Noise: 2-9
Internal Bias Override: 2-22
Inverting AC Amplifier: 2-23
Non-Inverting AC Amplifier: 2-21
Tape Preamp: 2-36, 4-20
Unity Gain Inverting Amplifier: 2-24

LM384

Characteristics: 4-28
Five Watt Amplifier: 4-29
General: 4-28

LM386

Bass Boost: 4-32
Biasing: 4-31
Characteristics: 4-6
Gain Control: 4-31
General: 4-30
Muting: 4-31
Non-Inverting Amplifier: 4-31, 4-32
Sine Wave Oscillator: 4-33
Square Wave Oscillator: 4-32

LM387/LM387A

Acoustic Pickup Preamp: 5-12
Active Bandpass Filter: 2-53
Active Tone Control: 2-48
Adjustable Gain: 5-12
Characteristics: 2-11
Equivalent Input Noise: 2-9
Inverse RIAA Response Generator: 2-31
Inverter: 5-9
Inverting AC Amplifier: 2-19
Line Driver: 2-61
Mic Preamp: 2-38
Mixer: 5-8, 5-9
Noise Measurement of: 2-8
Non-Inverting AC Amplifier: 2-19
Passive Tone Controls: 2-43
Reverb Recovery Amplifier: 5-8, 5-9
Rumble Filter: 2-50
Scratch Filter: 2-52
Speech Filter: 2-52
Summer: 5-8, 5-9
Tape Playback Preamp: 2-33
Tape Record Preamp: 2-32
Tone Control Amplifier: 2-20, 5-12
Two Channel Panning Circuit: 2-60
Unity Gain Inverting Amplifier: 2-19

LM388

Bootstrapping: 4-38
Bridge: 4-39
Characteristics: 4-6
FM Scanner Power Amp: 4-40
General: 4-37
Intercom: 4-40
Squelch: 4-41
Walkie Talkie Power Amp: 4-40

LM389

Ceramic Phono: 4-34
Characteristics: 4-6
General: 4-33
Logic Controlled Mute: 4-37
Muting: 4-33
Noise Generator: 4-36
Siren: 4-34
Tape Recorder: 4-34
Transistor Array: 4-33
Tremolo: 4-36
Voltage-Controlled Amplifier: 4-36

LM390

Characteristics: 4-6
General: 4-41
One Watt, 6 Volt Amplifier: 4-41

LM391: 4-43**LM703: 3-9****LM741: 5-11****LM1303**

Characteristics: 2-11
Inverting AC Amplifier: 2-25
Non-Inverting AC Amplifier: 2-25
Tape Preamp: 2-36

LM1310: 3-23**LM1351: 3-13**

LM1800: 3-23
LM1800A: 3-27
LM1820
 AM Radio: 3-6, 3-7
 Auto Radio: 3-8
 Characteristics: 3-5
 Circuit Description: 3-4
 Configurations: 3-5
 General: 3-4
 Impedance Matching: 3-5
LM2111: 3-13
LM3011: 3-11
LM3065: 3-15
LM3075: 3-15
LM3089
 AFC: 3-22
 AGC: 3-23
 Applications: 3-21, 3-26
 Circuit Description: 3-18
 General: 3-18
 Mute Control: 3-22
 PC Layout: 3-20
 Quad Coil Calculations: 3-21
 S/N: 3-23
Logarithmic Potentiometer: 2-40
Loop Gain: 2-1, 4-1
Loudness Control: 2-43, 4-19

Magnetic Phono Cartridge Noise Analysis: 6-13
Microphone Mixer: 2-59
Microphone Preamplifiers
 CMRR of: 2-39
 LF356: 2-39
 LF357: 2-39
 LM381A: 2-37
 LM387A: 2-38
 Low Noise, Transformerless, Balanced: 2-39
 Transformer-Input, Balanced: 2-38
 Transformerless, Balanced: 2-39
 Transformerless, Unbalanced: 2-37
Microphones: 2-37
Midrange Tone Control: 2-48
Mixer (see Microphone Mixer)
MM5837: 2-56, 2-58
Monaural Channel Unbalance: 3-27
Motorboating: 2-2
Motor Drive: 4-17, 4-18
Multiple Bypassing: 2-2
NAB (Tape) Equalization: 2-31
Narrowband FM: 3-14
Noise
 Bandwidth: 2-3
 Cartridge: 6-13
 Constant Spectral Density: 2-3
 Crest Factor: 2-8
 Current: 2-4
 Differential Pair: 2-8
 Effect of Ideal Feedback on: 2-4
 Effect of Practical Feedback on: 2-5
 Excess: 2-3
 Feedback Resistors: 6-17
 Figure: 2-18, 3-27
 Flicker: 2-4
 Generators: 2-4
 Index of Resistors: 2-3
 Measurement Techniques: 2-8
 Modelling: 2-4
 Non-Inverting vs. Inverting Amplifiers: 2-7
 Phono Disc: 2-25
 Pink: 2-56
 Popcorn: 2-4
 Resistor Thermal Noise: 2-3
 RF: 2-7
 Shot: 2-3
 Signal-to-Noise Ratio: 2-7
 Thermal: 2-3
 Total Equivalent Input Noise Voltage: 1-2, 2-4
 Voltage: 2-4
 White: 2-3, 2-56
 1/f: 2-3, 2-4
Non-Inverting AC Amplifier: 6-12

Octave Equalizer: 2-53
Op Amps (see Amplifiers)
Open Loop Gain: 1-2, 2-1
Oscillations, Circuit (see Layout, Ground Loops, Supply Bypassing, or Stabilization)
Oscillator: 4-32, 4-33
Oscillator, Power: 4-17
Output Referred Ripple Rejection: 1-2
Output Resistance: 3-27
Output Voltage Swing: 3-27
Overmodulation (Phono): 2-25

Panning: 2-60
Passive Crossover: 5-1
Phase Shifter: 5-10
Phono Cartridges
 Ceramic: 2-27
 Crystal: 2-27
 Magnetic: 2-27
 Noise: 2-27, 6-13
 Typical Output Level: 2-28
Phono Disc
 Dynamic Range: 2-25
 Equalization: 2-25
 Noise: 2-25
 Recording Process: 2-25
 S/N: 2-25
Phono Equalization (see RIAA Equalization)
Phono Preamplifiers
 General: 2-25
 Inverse RIAA Response Generator: 2-30
 LM381: 2-27
 LM381A: 2-29
 LM382: 2-29
 LM387: 2-27
 LM1303: 2-29
Pickup (see Acoustic Pickup Preamp)
Piezo-Ceramic Contact Pickup: 5-12
Pink Noise: 2-56
Pink Noise Generator: 2-56
Playback Equalization (Phono): 2-25
Playback Head Response: 2-31
Popcorn Noise: 2-4
Power Amplifiers: 4-5, 4-6, 4-7

Power Bandwidth: 3-27
Power Dissipation
 Application of: 4-44
 Bridge Amps: 4-45
 Calculation of: 4-44
 Class B Operation: 4-43
 Derivation of: 4-44
 Effect of Speaker Loads: 4-45
 Maximum: 4-44
 Reactive Loads: 4-46
Power Supply Bypassing: 2-2
Power Supply Design
 Characteristics: 6-2
 Diode Specification: 6-5
 Filter Design: 6-3
 Filter Selection: 6-1
 Load Requirements: 6-1
 Transformer Specification: 6-5
 Transient Protection: 6-7
 Voltage Doublers: 6-8
Power Supply Rejection: 3-27
Preamplifiers (see Microphone, Phono, or Tape)
Preamplifiers, IC: 2-11
Proportional Speed Controller: 4-18
Protection Circuits: 4-3

Quality: 6-18

Radiation: 4-46
Reactive Loads (see Power Dissipation)
Recovered Audio: 3-27
Reliability: 6-18
Reverberation
 Driver and Recovery Amplifiers: 5-7
 General: 5-7
 Stereo: 5-8
 Stereo Enhancement: 5-9
RF Interference: 2-10
RF Noise Voltage: 2-7, 3-27
RF Transconductance: 3-27
RIAA (Phono) Equalization: 2-25
RIAA Standard Response Table: 2-27
Ripple Factor: 6-1
Ripple Rejection: 1-2
Rumble Filter: 2-49
Scanners (see FM Scanners)
SCA Rejection: 3-27
Scratch Filter: 2-49
Self-Demagnetization: 2-31
Sensitivity: 3-27
Series Shunt Feedback (see Feedback)
Shot Noise: 2-3
Shunt-Shunt Feedback (see Feedback)
Signal-to-Noise of Phono Disc: 2-25
Signal-to-Noise Ratio: 2-7
Sine Wave Oscillator: 4-33
Single-Point Grounding (see Ground Loops)
Single Supply Biasing of Op Amps: 6-13
Siren: 4-28, 4-34
Slew Rate: 1-1, 1-2, 3-27, 4-2
Speaker Crossover Networks (see Active Crossover Networks)
Speaker Loads (see Power Dissipation)
Speech Filter: 2-51

Speed Controller, Proportional: 4-18
Square Wave Oscillator: 4-32
Stabilization of Amplifiers: 2-2
Staver Heat Sink: 4-22
Stereo IC Power Amplifiers: 4-5
Stereo IC Preamps (see Preamplifiers)
Stereo Multiplex (see FM Radio, Stereo)
Summing Amplifier: 6-12
Supply Bypassing: 2-2
Supply Current: 3-27
Supply Rejection (see Ripple Rejection)
Supply Voltage: 1-2
Sweep Generator: 5-11
Switching
 Active: 2-62
 Mechanical: 2-62

Tape Bias Current: 2-31
Tape Equalization (see NAB Equalization)
Tape Preamplifiers
 Fast Turn-on NAB Playback: 2-34
 LM381: 2-33, 2-32
 LM381A: 2-36
 LM382: 2-36
 LM387: 2-32
 LM387A: 2-33
 LM1303: 2-36
 Playback: 2-33
 Record: 2-32
 Ultra Low Noise Playback: 2-36
Tape Record Amplifier Response: 2-32
Tape Recorder: 4-34
Tape Record Head Response: 2-32
Thermal Noise: 2-3
Thermal Resistance: 4-47
Thermal Shutdown: 4-4
Tone Controls
 Active: 2-44, 4-35, 5-12
 Passive: 2-40, 4-19, 4-24
Total Harmonic Distortion: 1-2
Transconductance: 4-1
Transient Protection: 6-7
Treble Control
 Active: 2-45, 4-35, 5-12
 Passive: 2-41
Tremolo: 4-36, 5-11
TV Sound IF: 3-8
Two Channel Panning: 2-60
Two-Phase Motor Drive: 4-18
Two-Way Radio IF: 3-8

Unbalanced Mic Preamp (see Mic Preamps)
Uncompensated Op Amp: 1-2
Variable Gain AC Amplifier: 6-13
Voltage-Controlled Amplifier: 4-36
Voltage Doublers: 6-8
Voltage-to-Current Converter: 4-27

Walkie Talkie Power Amp: 4-40
White Noise: 2-3, 2-56
White Noise Generator: 4-36
Wien Bridge Oscillator: 4-33
Wien Bridge Power Oscillator: 4-17
Wye-Delta Transformation: 2-45, 6-11